

6QCD-026-06.00-STL-TTR-3

(0.635 mm) .025"

HIGH-SPEED COAX CABLE ASSEMBLIES

SPECIFICATIONS

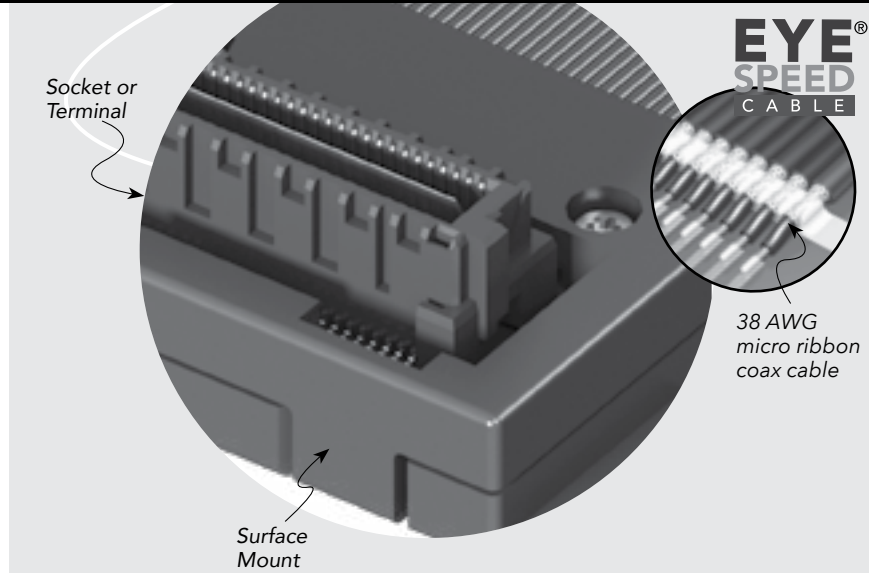
For complete specifications see www.samtec.com?SQCD or see www.samtec.com?6QCD

- Cable:** 38 AWG coax micro ribbon
- Signal Routing:** 50 Ω Single-Ended
- Overall Length:** (152 mm) 6" to (1 m) 40" standard
- Cable Flexing Life:** >40,000 cycles
- Cable Bending Radius:** <2.5 mm
- Plating:** Au over 50 μ" (1.27 μm) Ni
- Propagation Delay:** 4.79 nsec/meter
- Operating Temp Range:** -40 °C to +105 °C
- RoHS Compliant:** Yes

SQCD Mates with: QTS, QSS

6QCD Mates with: QMS, QFS

Socket or Terminal



EYE[®] SPEED CABLE

38 AWG micro ribbon coax cable

Surface Mount

RECOGNITIONS

For complete scope of recognitions see www.samtec.com/quality



FILE NO. E71636 (SQCD only)

APPLICATIONS



Processing conditions will affect mated height.

ALSO AVAILABLE (MOV Required)

- Other pin counts
- Other terminations

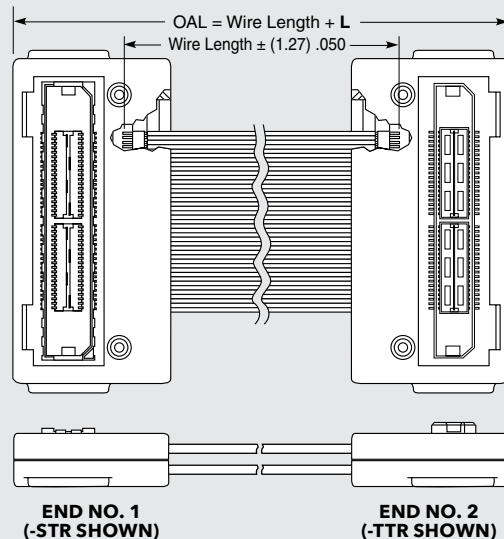
Notes: Cable lengths longer than 40.00" (1 meter) are not supported with S.I. test data.

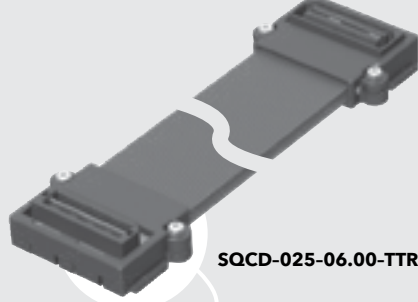
Design your full cable assembly with Samtec's High-Speed Cable Solutionator[®] at www.samtec.com/cablebuilder

This Series is non-standard, non-returnable.

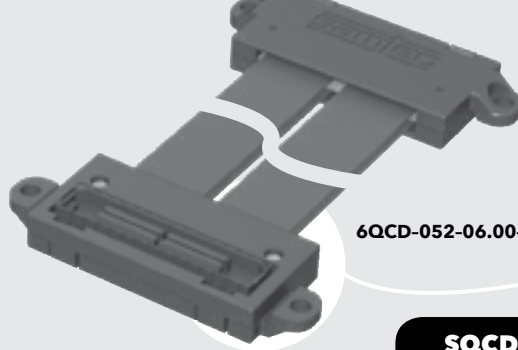
TYPE	NO. POSITIONS PER ROW	WIRE LENGTH
SQCD = Mates with QTS/QSS 6QCD = Mates with QMS/QFS	-025, -050, -075 (SQCD) -026, -052 (6QCD)	-"XX.XX" = Wire Length in Inches (43.7 mm) 01.72" Minimum.

END TO END	L	
	SQCD	6QCD
Surface Mount to Surface Mount	(24.13) .950	(28.47) 1.121



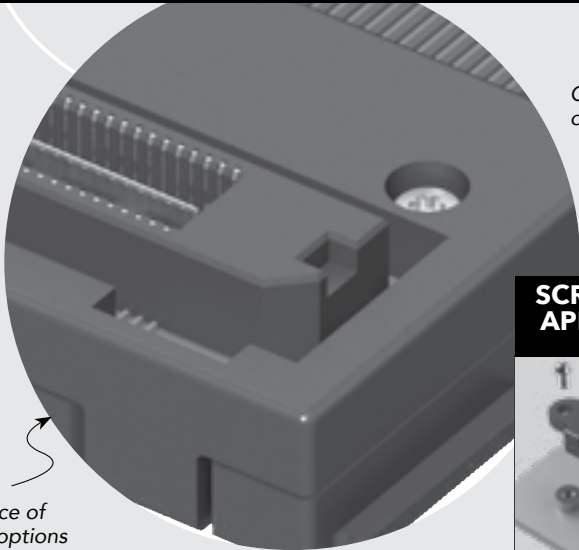


SQCD-025-06.00-TTR-STR-1



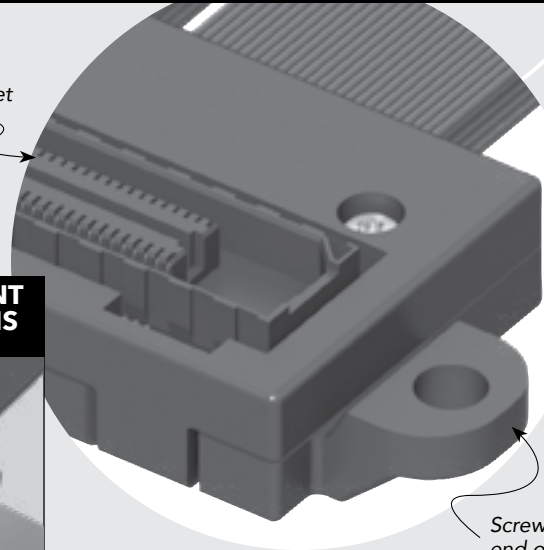
6QCD-052-06.00-STL-TBR-3-B

SQCD, 6QCD SERIES



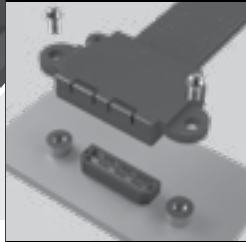
Choice of end options

Choice of socket or terminal



Screw Mount end options

SCREW MOUNT APPLICATIONS (-F, -S, -B)



END NO. 1

END NO. 2

WIRING OPTION

SCREW DOWN END OPTION

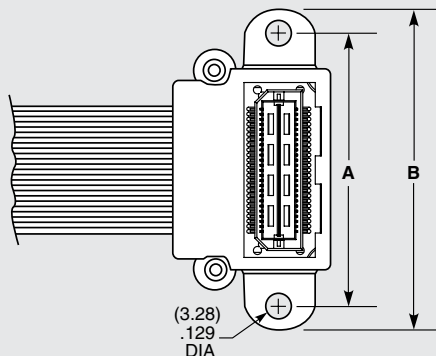
Specify END ASSEMBLIES from chart

- 1 = Pin 1 to Pin 1
- 2 = Pin 1 to Pin 2
- 3 = Pin 1 to Second Last Pin
- 4 = Pin 1 to Last Pin

Leave blank for no Screw Option

- F = End No. 1
- S = End No. 2
- B = Both Ends

END	SURFACE MOUNT
TTR	Terminal, Top, Notch Right
TTL	Terminal, Top, Notch Left
TBR	Terminal, Bottom, Notch Right
TBL	Terminal, Bottom, Notch Left
STR	Socket, Top, Notch Right
STL	Socket, Top, Notch Left
SBR	Socket, Bottom, Notch Right
SBL	Socket, Bottom, Notch Left



SURFACE MOUNT (-XTX & -XBX) SCREW DOWN OPTIONS

SERIES	NO. OF POSITIONS	A	B
SQCD	-025	(40.10) 1.579	(34.00) 1.339
	-050	(60.10) 2.366	(54.00) 2.126
	-075	(80.10) 3.154	(74.00) 2.913
6QCD	-026	(45.47) 1.790	(39.50) 1.555
	-052	(66.80) 2.630	(61.00) 2.402