

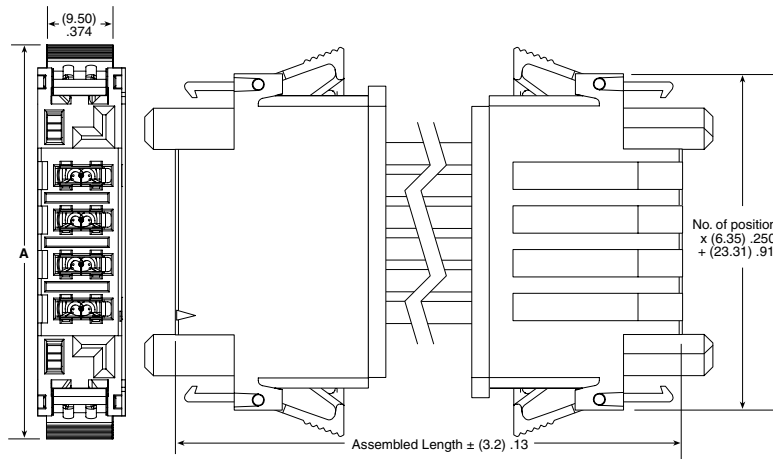
(6.35 mm) .250" PITCH • 40 A CABLE ASSEMBLY/COMPONENTS

| PESS | NO. OF POSITIONS | WIRE GAUGE | PLATING OPTION | ASSEMBLED LENGTH | END 1 OPTION | END 2 OPTION |
|------|-----------------------|------------|---|---|--|--|
| | -02, -04, -06, -08 | -10 -12 | -L = 10 μ" (0.25 μm) Gold on contact, Matte Tin on tail -T = Matte Tin on tail | -"XX.XX" = Wire length in inches (152.4 mm) 06.00" min. | -SR = Single End -DR = Double End | (Available with -DR only) -NUS = Notch up, straight (Available with -DR only) -NDS = Notch down, straight |

PESS
Board Mates:
PET

SPECIFICATIONS

Insulator Material:
Nylon Black
Contact Material:
Copper Alloy
Plating:
Sn or Au over
50 μ" (1.27 μm) Ni
Operating Temp Range:
-30 °C to +105 °C
Voltage Rating:
600 VAC
846 VDC
Wire:
10 or 12 AWG



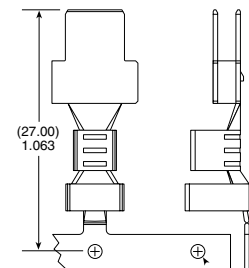
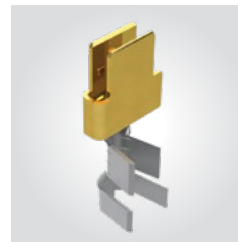
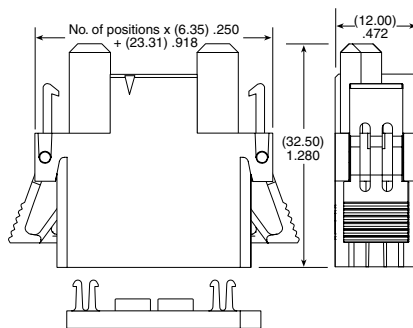
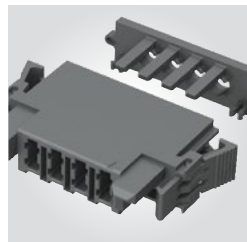
| NO. OF POSITIONS | A |
|------------------|-------------|
| -02 | (43.9) 1.73 |
| -04 | (56.6) 2.23 |
| -06 | (69.3) 2.73 |
| -08 | (82.0) 3.23 |

| PESS/PET | |
|------------|--------------------------|
| WIRE GAUGE | CURRENT RATING (PER PIN) |
| 10 AWG | 34.5 A |
| 12 AWG | 29.7 A |

1 PIN POWERED

View complete specifications at: samtec.com?PESS

| IPS6 | POSITIONS PER ROW | 01 | LATCH | SERIES | WIRE GAUGE | PLATING OPTION |
|------|--------------------|----|---------------|--|-------------------------|---|
| | -02, -04, -06, -08 | | -L = Latch | CC10R = Contact, Full Reel CC10L = Contact, Loose | -1012 = 10 to 12 AWG | -L = 10 μ" (0.25 μm) Gold on contact, Matte Tin on tail -T = Matte Tin on tail |



TOOLING

Hand Tool: CAT-HT-310-1012-14
Mini Applicator: CAT-MC-310-1012-XX-02

Note:
Some lengths, styles and options are non-standard, non-returnable

View complete specifications at: samtec.com?IPS6, samtec.com?CC10L & samtec.com?CC10R