

EQRD-026-04.00-TTL-STL-3

**EQRD SERIES**

**(0.80 mm) .0315"**

# Q RATE<sup>®</sup> COAX CABLE ASSEMBLY

## SPECIFICATIONS

For complete specifications and recommended PCB layouts see [www.samtec.com?EQRD](http://www.samtec.com?EQRD)

- Cable:** 34 AWG micro ribbon coax cable
- Signal Routing:** 50 Ω Single-Ended
- Overall Length:** (95.3 mm) 03.75" to (1 m) 40" standard
- Cable Flexing Life:** >10,000 cycles
- Cable Bending Radius:** <2.5 mm
- Plating:** Au over 50 μ" (1.27 μm) Ni
- Cable Propagation Delay:** 4.4 nsec/meter
- Operating Temp Range:** -25 °C to +105 °C
- RoHS Compliant:** Yes

**Mates with:**  
QRF8, QRM8

**EDGE RATE<sup>®</sup>**  
CONTACT

Edge Rate<sup>®</sup> contacts

**EYE<sup>®</sup>**  
SPEED  
CABLE

34 AWG micro ribbon coax cable

Slim body design

## HIGH-SPEED CHANNEL PERFORMANCE

EQRD

Rating based on Samtec reference channel.  
For full SI performance data visit [Samtec.com](http://Samtec.com) or contact [SIG@samtec.com](mailto:SIG@samtec.com)

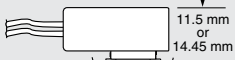
**14**  
G b p s

## RECOGNITIONS

For complete scope of recognitions see [www.samtec.com/quality](http://www.samtec.com/quality)



## APPLICATIONS



Processing conditions will affect mated height.

## ALSO AVAILABLE (MOV Required)

- Other sizes and lengths
- Other terminations
- Other wire AWG

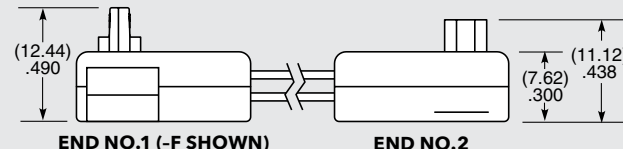
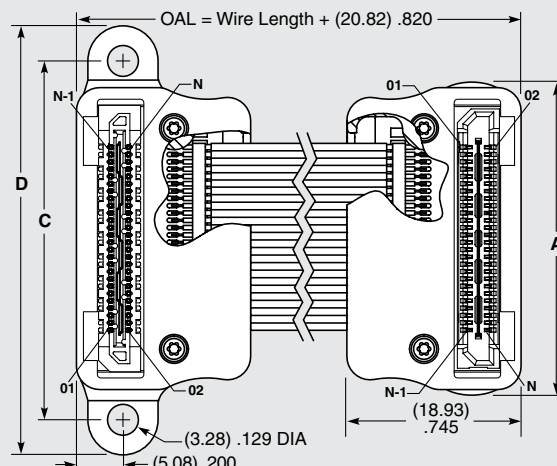
### Notes:

Cable lengths longer than 40.00" (1 meter) are not supported with S.I. test data.

Design your High-Speed Cable with Samtec's High-Speed Cable Solutionator<sup>™</sup> at [www.samtec.com/hdr](http://www.samtec.com/hdr)

Some lengths, styles and options are non-standard, non-returnable.

EQRD	NO. OF POSITIONS	WIRE LENGTH	END NO. 1	END NO. 2	WIRING OPTION	SCREW OPTION
-026, -052, -078 (Per Row)		"XX.XX" = Wire Length in Inches (43.7 mm) 01.72" min.			<b>-TTR</b> = Terminal, Top Right  <b>-TTL</b> = Terminal, Top Left  <b>-TBR</b> = Terminal, Bottom Right  <b>-TBL</b> = Terminal, Bottom Left  <b>-STR</b> = Socket, Top Right  <b>-STL</b> = Socket, Top Left  <b>-SBR</b> = Socket, Bottom Right  <b>-SBL</b> = Socket, Bottom Left	Leave blank for no Screw Option  <b>-F</b> = Screw option (First end only)  <b>-S</b> = Screw option (Second end only)  <b>-B</b> = Screw option (Both ends)



NO. OF POSITIONS	A	C	D
-026	(33.02) 1.300	(39.12) 1.540	(46.74) 1.840
-052	(57.81) 2.276	(63.91) 2.516	(71.53) 2.816
-078	(82.63) 3.253	(88.70) 3.492	(96.32) 3.792