

EQRP-018-08.00-STR-TTL-1

(0.80 mm) .0315"

EQRP SERIES

Q RATE® TWINAX CABLE ASSEMBLY

SPECIFICATIONS

For complete specifications and recommended PCB layouts see www.samtec.com?EQRP

- Cable:** 32 AWG twinax micro ribbon
- Signal Routing:** 100 Ω Differential
- Cable Bending Radius:** (11.11 mm) 7/16" min
- Plating:** Au over 50 μ" (1.27 μm) Ni
- Current Rating:** Signal Contact: .6 A per pin (All adjacent pins powered) Ground Plane: 7.9 A per ground plane (1 ground plane powered)
- Propagation Delay:** 4.67 nsec/meter
- Operating Temp Range:** -25 °C to +105 °C
- Skew (pair-to-pair):** <10 ps/ft
- Skew (within a pair):** <5 ps/ft
- EMI Performance:** FCC Class A
- RoHS Compliant:** Yes

Mates with:
QRF8-DP, QRM8-DP

Edge Rate® contacts

Differential routing

EDGE RATE® CONTACT

Integral ground/ power plane

Slim body design

EYE SPEED CABLE

32 AWG twinax ribbon cable

RECOGNITIONS

For complete scope of recognitions see www.samtec.com/quality



APPLICATIONS



Processing conditions will affect mated height.

Notes:
Cable lengths longer than 40.00" (1 meter) are not supported with S.I. test data.

Design your full cable assembly with Samtec's High-Speed Cable Solutionator® at www.samtec.com/cablebuilder

Some lengths, styles and options are non-standard, non-returnable.



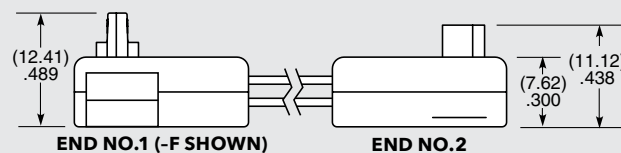
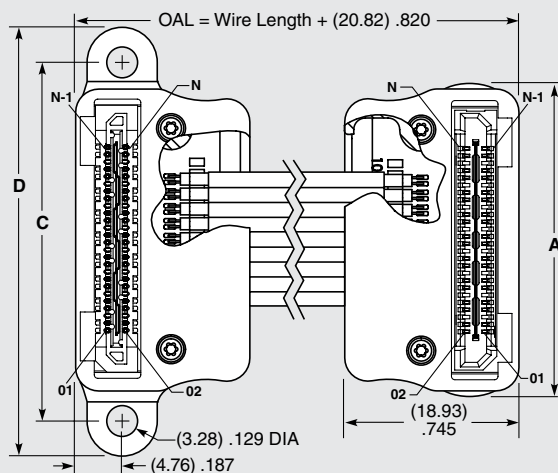
-018, -036, -054
(Number of Pairs)

- "XX.XX"
= Wire Length in Inches
(43.7 mm) 01.72" minimum

- TTR = Terminal, Top Right
- TTL = Terminal, Top Left
- TBR = Terminal, Bottom Right
- TBL = Terminal, Bottom Left
- STR = Socket, Top Right
- STL = Socket, Top Left
- SBR = Socket, Bottom Right
- SBL = Socket, Bottom Left

- 1 = Pin 1 to Pin 1
- 2 = Pin 1 to Pin 2
- 3 = Pin 1 to Pin N-1
- 4 = Pin 1 to Pin N

- Leave blank for no Screw Option
- F = Screw option (First end only)
- S = Screw option (Second end only)
- B = Screw option (Both ends)



NO. OF POSITIONS	A	C	D
-018	(33.02) 1.300	(39.12) 1.540	(46.74) 1.840
-036	(57.81) 2.276	(63.91) 2.516	(71.53) 2.816
-054	(82.63) 3.253	(88.70) 3.492	(96.32) 3.792