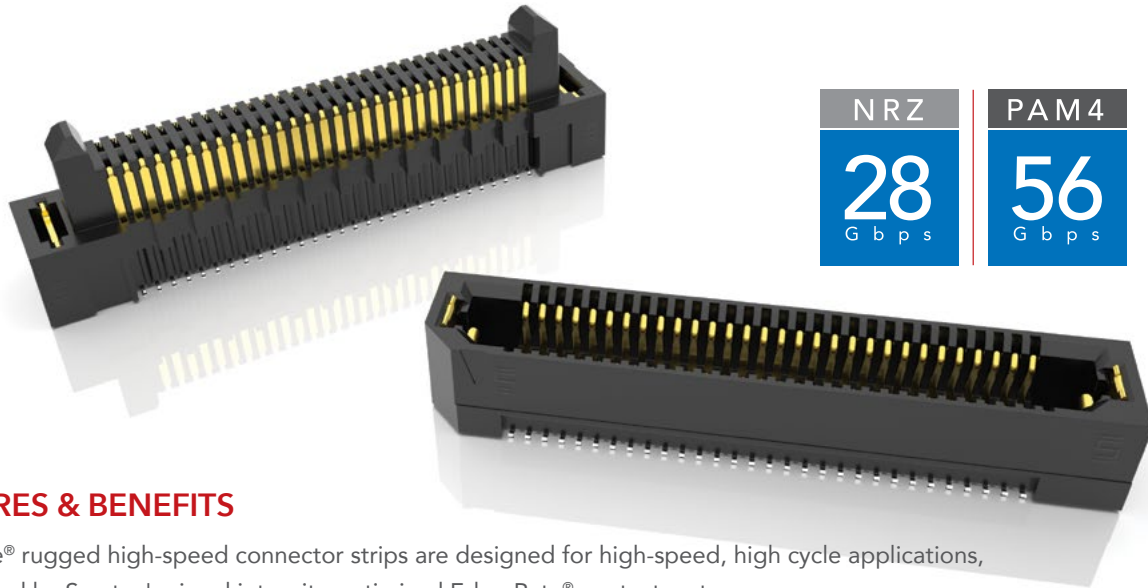


# RUGGED HIGH-SPEED STRIPS

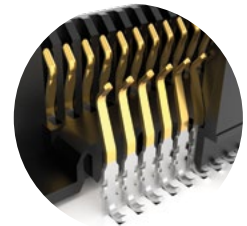


NRZ	PAM4
28 Gbps	56 Gbps

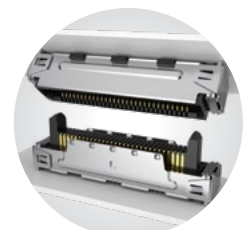
## FEATURES & BENEFITS

Edge Rate® rugged high-speed connector strips are designed for high-speed, high cycle applications, and enabled by Samtec's signal integrity-optimized Edge Rate® contact system.

- Up to 1.5 mm contact wipe for a reliable connection
- 20 to 200 positions
- Choice of 0.50 mm, 0.635 mm or 0.80 mm pitch
- 0.50 mm pitch system offers up to 40% PCB space savings vs. 0.80 mm pitch
- 0.635 mm pitch system with extremely slim 2.5 mm body width
- Rugged latching, extended guide posts and 360° shielding
- Severe Environment Testing qualified (ERM8/ERF8); aligns with MIL-DTL-55302. Visit [samtec.com/set](http://samtec.com/set)



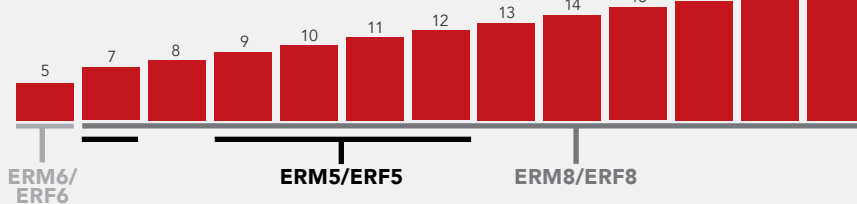
Signal integrity-optimized Edge Rate® contact system reduces broadside coupling



Rugged 360° shielding reduces EMI

### EDGE RATE® STACK HEIGHT FLEXIBILITY

(shown in mm)



## KEY SPECIFICATIONS

SERIES	PITCH	INSULATOR MATERIAL	TERMINAL MATERIAL	PLATING	OPERATING TEMP RANGE	CURRENT RATING	VOLTAGE RATING	LEAD-FREE SOLDERABLE
ERM5 / ERF5	0.50 mm	Black LCP	Phosphor Bronze or BeCu (ERM5), BeCu (ERF5)	Au or Sn over 50 μm* (1.27 μm) Ni	-55 °C to +125 °C	1.5 A	190 VAC	Yes
ERM6 / ERF6	0.635 mm		Copper Alloy			1.4 A	155 VAC	
ERM8 / ERF8	0.80 mm		Phosphor Bronze or BeCu (ERM8), BeCu (ERF8)			1.4 A	225 VAC	

**(0.80 mm) .0315" PITCH • RIGHT-ANGLE & EDGE MOUNT HIGH-SPEED HEADERS**

ERM8	POSITIONS PER ROW	01	PLATING OPTION	D	RA	OPTIONS	"X"R
------	-------------------	----	----------------	---	----	---------	------

Right-Angle Terminal

**-010, -013, -020, -025, -030, -040, -049, -050, -060, -070, -075**

**-L**  
= 10 μ" (0.25 μm)  
Gold on contact area, Matte Tin on tail

**-K**  
= (6.00 mm) .236" DIA  
Polyimide Film Pick & Place Pad

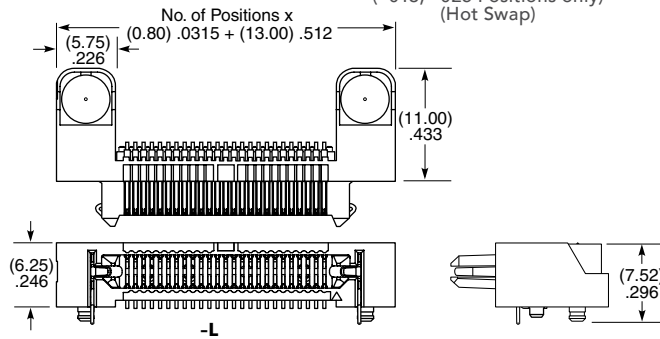
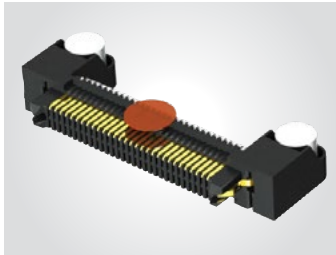
**-TR**  
= Tape & Reel

**-L**  
= Latching

**-FR**  
= Full Reel Tape & Reel (must order maximum quantity per reel; contact Samtec for quantity breaks)

**-DS**  
= Differential Pair (-013, -025 Positions only) (Hot Swap)

**ERM8-RA**  
Board Mates: **ERF8**  
Cable Mates: **ERCD**



View complete specifications at: [samtec.com?ERM8-RA](http://samtec.com?ERM8-RA)

ERM8	POSITIONS PER ROW	01	PLATING OPTION	D	EM2	OPTIONS	"X"R
------	-------------------	----	----------------	---	-----	---------	------

Edge Mount Terminal

**-010, -013, -020, -025, -030, -040, -049, -050, -060, -070, -075**

**-L**  
= 10 μ" (0.25 μm)  
Gold on contact area, Matte Tin on tail

= (1.60 mm) .062" Thick PCB

**-L**  
= Latching  
(Mates to ERF8 Lead Style -05.0 or -RA Only)

**-TR**  
= Tape & Reel

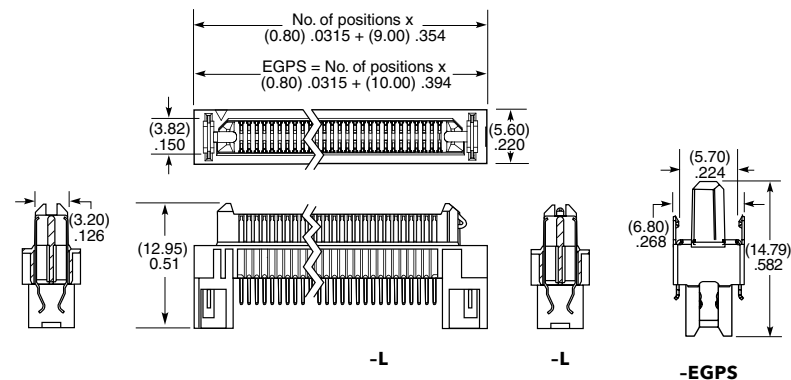
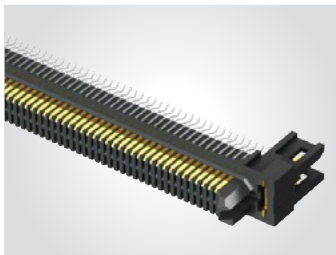
**-DS**  
= Differential Pair (-013 & -025 Positions only) (Hot Swap)

**-FR**  
= Full Reel Tape & Reel (must order maximum quantity per reel; contact Samtec for quantity breaks)

**-EGPS**  
= Extended Guide Post Shield (-010, -020, -025, -030 Positions Only)

**-DSS**  
= Differential Pair + Extended Guide Post Shield (-025 Positions Only) (Hot Swap)

**ERM8-EM**  
Board Mates: **ERF8**  
Cable Mates: **ERCD**



**Note:**  
Some lengths, styles and options are non-standard, non-returnable.

View complete specifications at: [samtec.com?ERM8-EM](http://samtec.com?ERM8-EM)