

# HIGH-DENSITY HIGH-SPEED I/O SYSTEM

(0.635 mm) .025" PITCH • HDI6/HDC SERIES

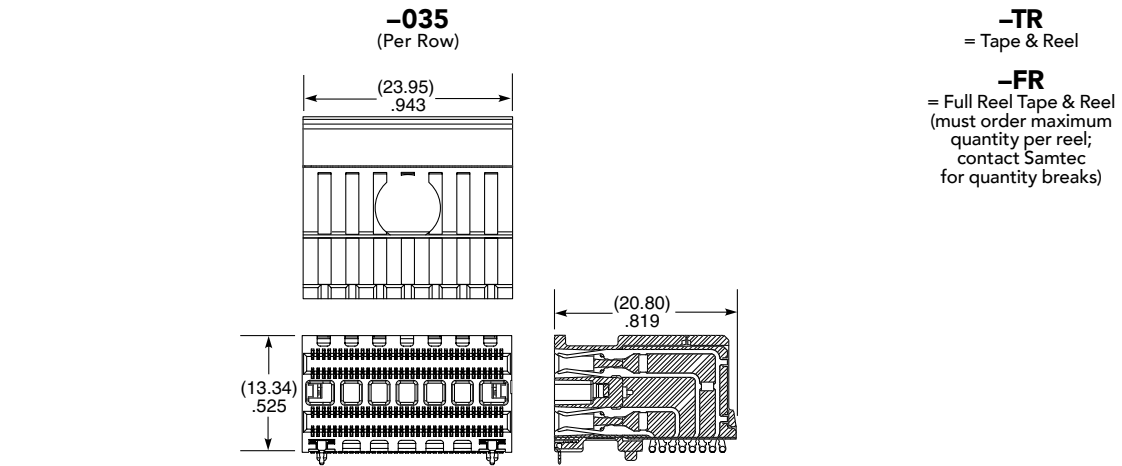


**HDI6**  
Mates:  
HDLSP



**SPECIFICATIONS**

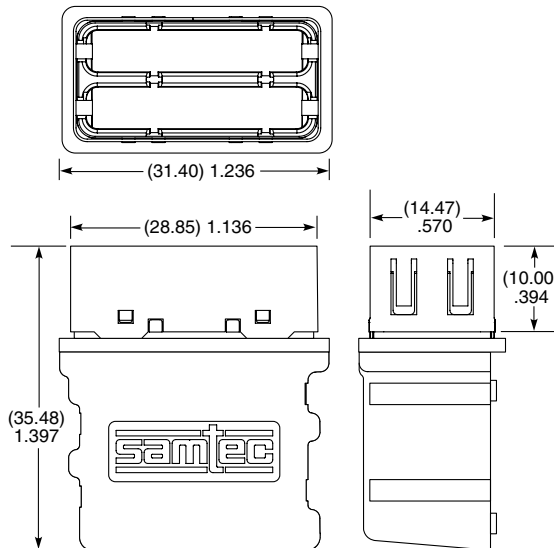
**Insulator Material:**  
Black LCP  
**Terminal Material:**  
Phosphor Bronze  
**Plating:**  
Au or Sn over  
50 μ" (1.27 μm) Ni  
**Current Rating:**  
1.5 A per pin  
(4 adjacent pins powered)  
**Operating Temp Range:**  
-25 °C to +105 °C  
**Voltage Rating:**  
150 VAC



View complete specifications at: [samtec.com?HDI6](http://samtec.com?HDI6)



**HDC** = Cage  
**-035** = Number of positions  
**-01** = No gasket  
**-02** = EMI gasket  
**L**



HDC-035-02-L SHOWN

View complete specifications at: [samtec.com?HDC](http://samtec.com?HDC)

**Notes:**  
For HT3.1 see [www.samtec.com/ht3](http://www.samtec.com/ht3) and specify part number ASP-149117-01

Some lengths, styles and options are non-standard, non-returnable.