



# Q PAIRS® TWINAX CABLE ASSEMBLIES

14  
Gbps



(0.50 mm) .0197" & (0.80 mm) .0315" PITCH • HQDP/EQDP SERIES

## EQDP

Mates:  
QTE-DP, QSE-DP

## HQDP

Mates:  
QTH-DP, QSH-DP

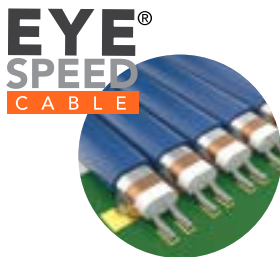
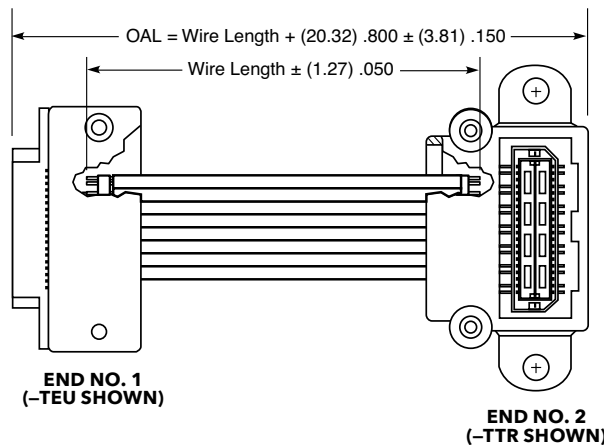
### SPECIFICATIONS

**Cable:**  
30 AWG twinax ribbon  
**Signal Routing:**  
100 Ω Differential  
**Cable Bending Radius:**  
(3.18 mm) 1/8" min  
**Plating:**  
Au over 50 μ" (1.27 μm) Ni  
**Current Rating:**  
EQDP = 500 mA per pin  
HQDP = 400 mA per pin  
(6 adjacent pins powered)  
**Propagation Delay:**  
4.67 nsec/meter  
**Operating Temp Range:**  
-25 °C to +105 °C  
**Skew (pair-to-pair):**  
<10 ps/ft  
**Skew (within a pair):**  
<5 ps/ft  
**EMI Performance:**  
FCC Class A

SERIES	NO. OF PAIRS	WIRE LENGTH	END NO. 1	END NO. 2	WIRING OPTION	SCREW OPTION
HQDP = (0.50 mm) .0197" pitch	-020, -040, -060 (20 pairs per bank) HQDP Series	-"XX.XX" = Wire Length in Inches (43.7 mm) 01.72" minimum	Specify END ASSEMBLIES from chart		-5 = Pin 1 to Pin 1	Leave blank for no Screw Option
EQDP = (0.80 mm) .0315" pitch	-014, -028, -042 (14 pairs per bank) EQDP Series	-6 = Pin 1 to Pin 2			-F = End No. 1	
					-7 = Pin 1 to Second Last Pin	-S = End No. 2
					-8 = Pin 1 to Last Pin	-B = Both Ends

END	SURFACE MOUNT
TTR	Terminal, Top, Notch Right
TTL	Terminal, Top, Notch Left
TBR	Terminal, Bottom, Notch Right
TBL	Terminal, Bottom, Notch Left
STR	Socket, Top, Notch Right
STL	Socket, Top, Notch Left
SBR	Socket, Bottom, Notch Right
SBL	Socket, Bottom, Notch Left

END	EDGE MOUNT
TEU	Terminal, Edge, Notch Up
TED	Terminal, Edge, Notch Down
SEU	Socket, Edge, Notch Up
SED	Socket, Edge, Notch Down



**Notes:**  
Cable lengths longer than 40.00" (1 meter) are not supported with S.I. test data.

Design your full cable assembly with Samtec's High-Speed Cable Solutionator® at [www.samtec.com/cablebuilder](http://www.samtec.com/cablebuilder)

This Series is non-standard, non-returnable.

WIRING REQUIREMENTS	
WIRING OPTION	END OPTIONS
5 or 6	TTR, TBL, STL, SBR, TEU, SED to TTR, TBL, STL, SBR, TED, SEU or TTL, TBR, STR, SBL, TED, SEU to TTL, TBR, STR, SBL, TEU, SED
7 or 8	TTR, TBL, STL, SBR, TEU, SED to TTL, TBR, STR, SBL, TEU, SED or TTL, TBR, STR, SBL, TED, SEU to TTR, TBL, STL, SBR, TED, SEU