

JACK SCREW STANDOFF

JSO SERIES



JSO
Use With:
SEAX, SEAX8, LPAX, LSHM

JSO

**BOARD
STACKER**

LEAD STYLE

**PLATING
OPTION**

SPECIFICATIONS

Material:
Stainless Steel
Locking Compound:
Nylon

Specify
BOARD STACKER
from chart

-01
= Press-In
(-0415, -0515, -0715, -0815 only)

-03
= Male Thread
(-0815, -1015, -1115, -1615 only)

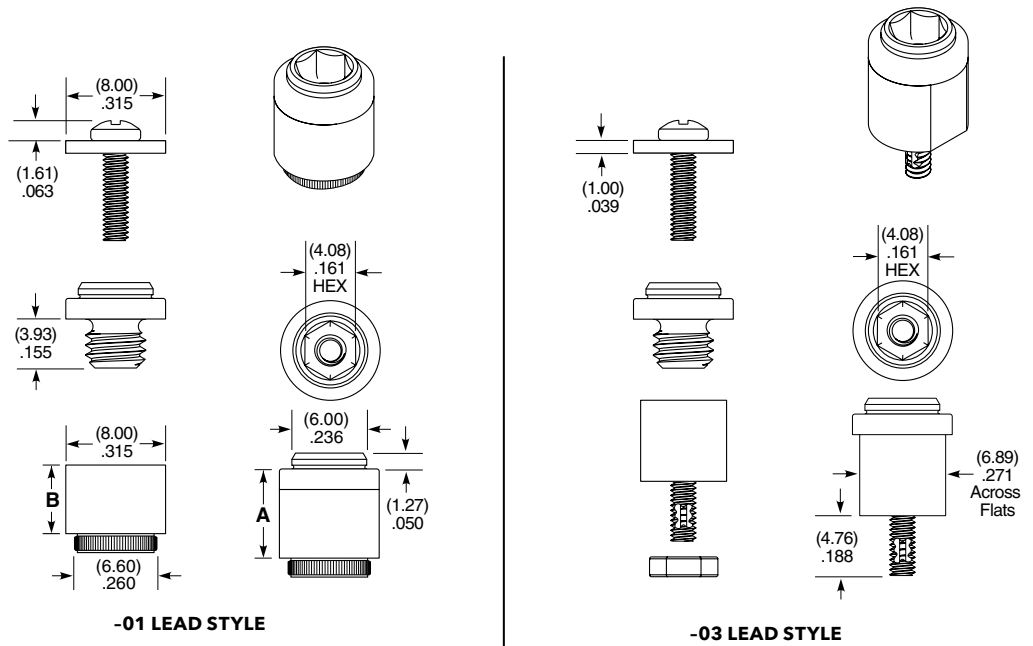
-L
= Locking compound
(Not available with -01 lead style,
Required for -03 lead style)

BOARD STACKER	A	B	BOARD STACK HEIGHT
-0415	(4.15) .163	(2.50) .098	4 mm
-0515	(5.15) .203	(3.50) .138	5 mm
-0715	(7.15) .281	(5.50) .217	7 mm
-0815	(8.15) .321	(6.50) .256	8 mm
-1015	(10.15) .400	(8.50) .335	10 mm
-1115	(11.15) .439	(9.50) .374	11 mm
-1615	(16.15) .636	(14.50) .571	16 mm

ALSO AVAILABLE

MOQ Required

Other heights
Locking compound removed



Note:
Some sizes, styles and
options are non-standard,
non-returnable.

Components are to be packaged in separate bags unassembled.

APPLICATION

