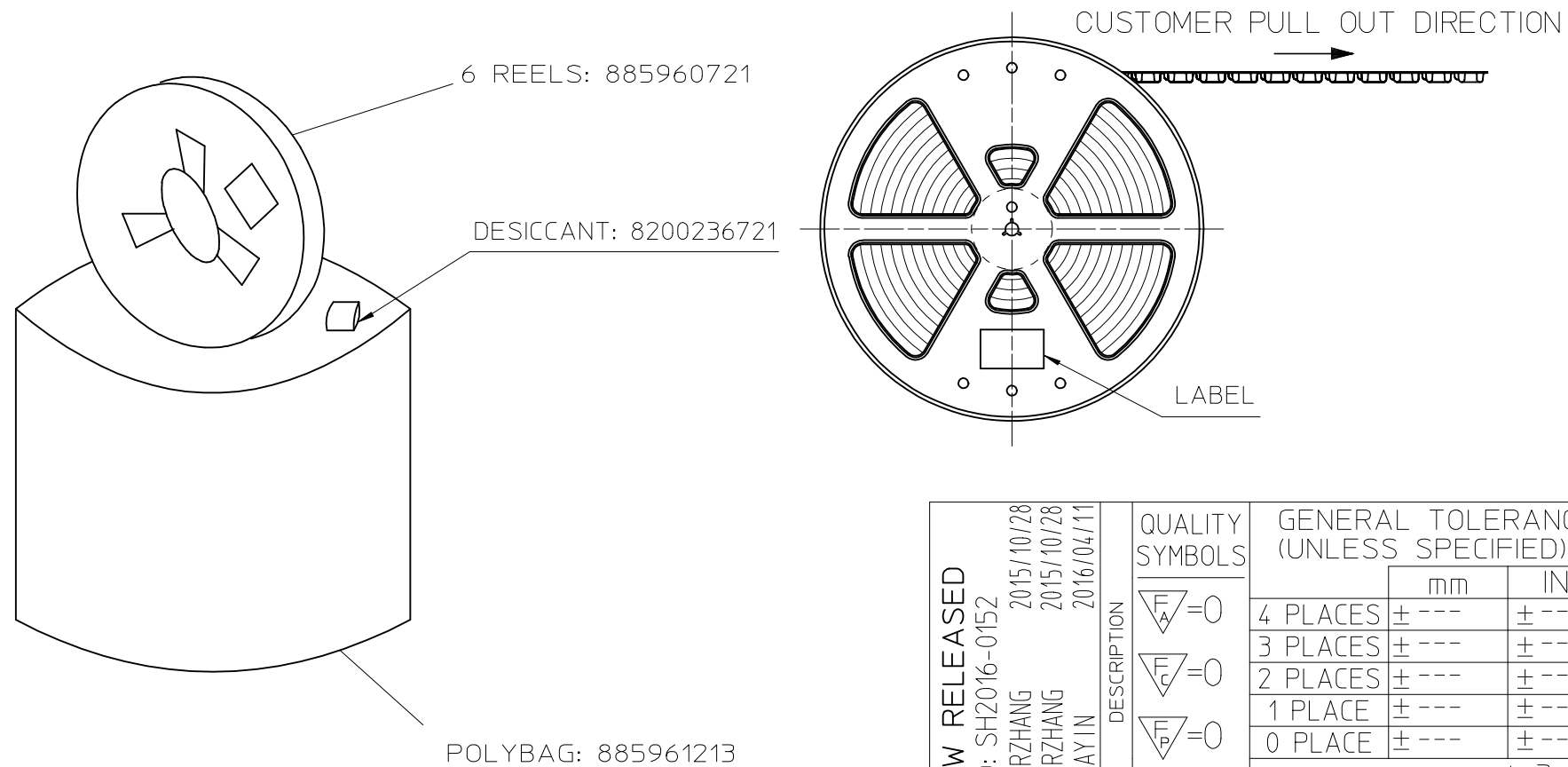
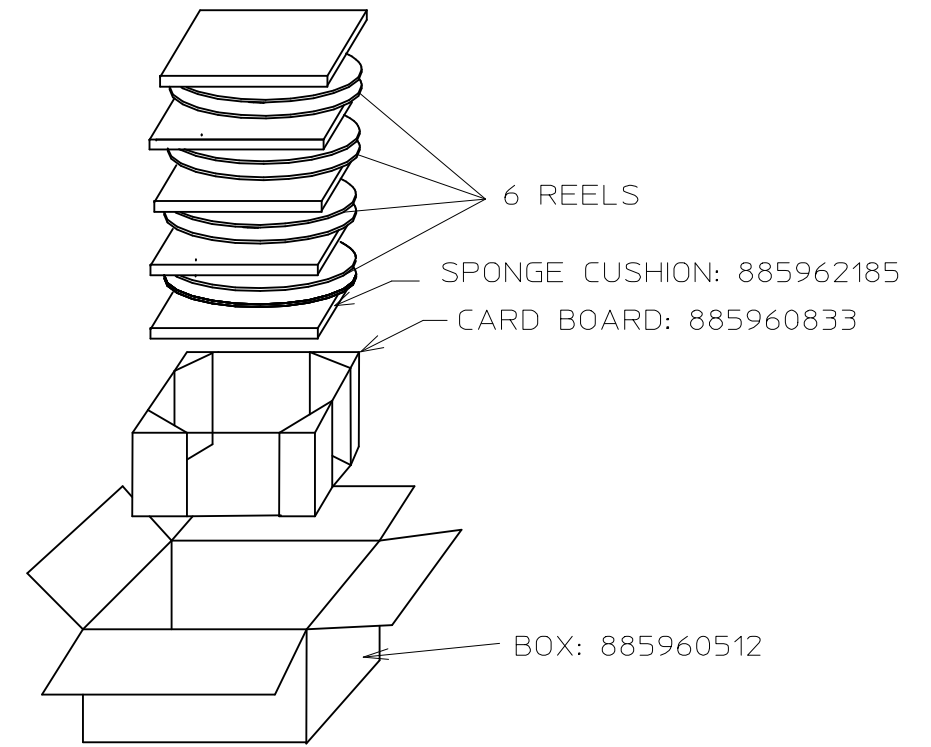
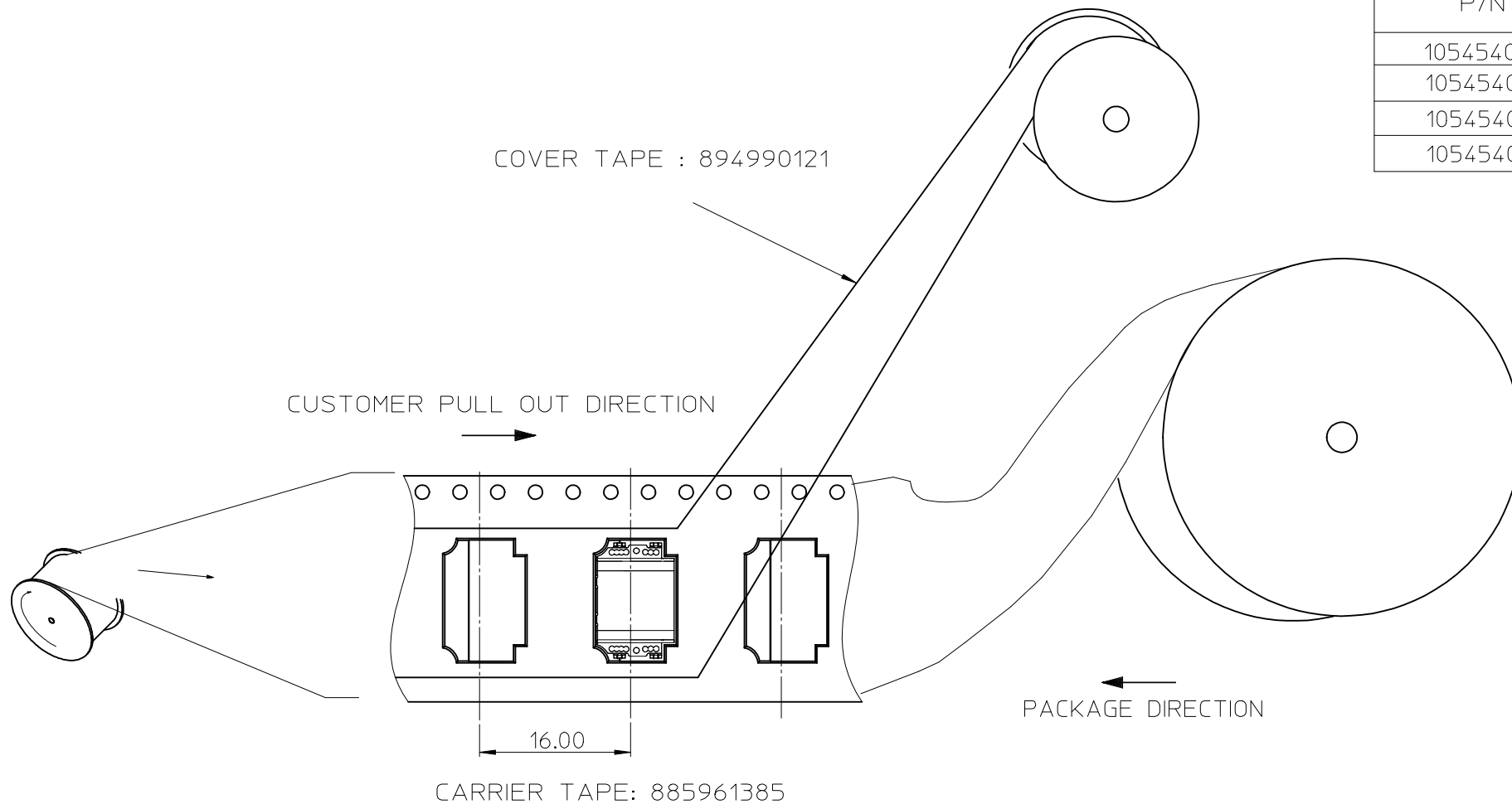


P/N	Q'TY/REEL	REEL/BOX	SPQ	MOQ
1054540001	1300 PCS	6	1300 PCS	7800 PCS
1054540101				
1054540201				
1054540301				

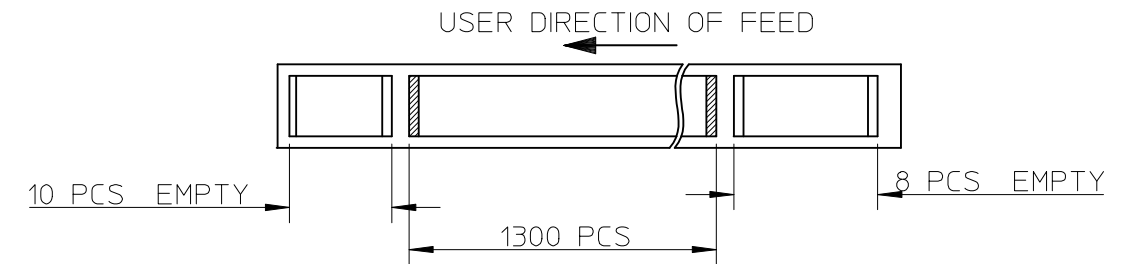


NOTES:

1. PACKING PER 15" REEL, 24mm CARRIER TAPE,
2. THE PEELING FORCE OF CARRIER TAPE :

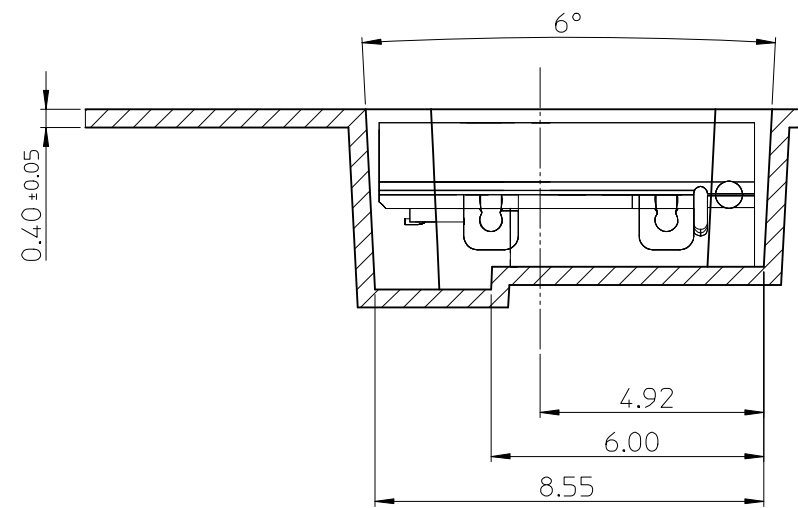
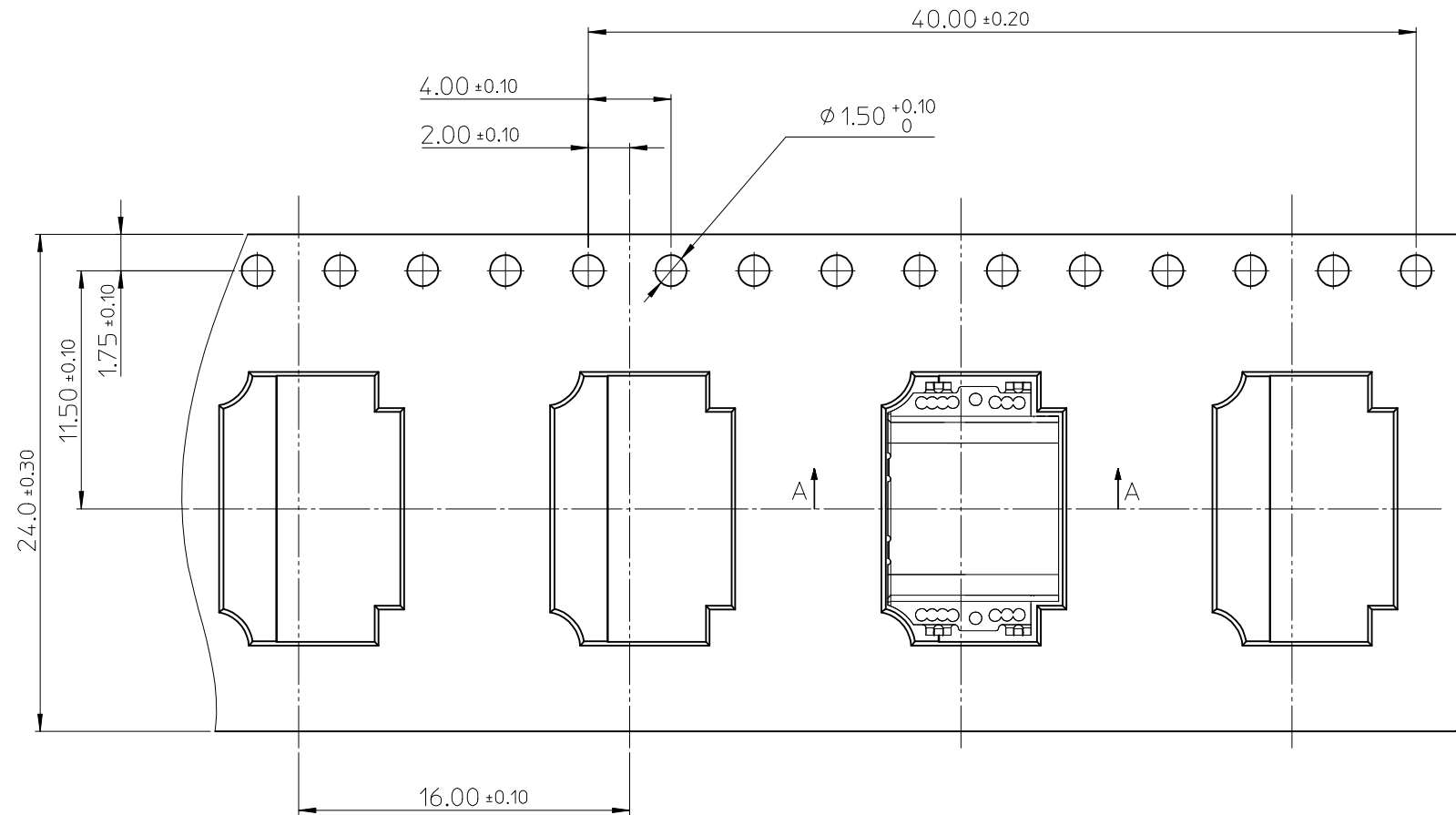


3. USER DIRECTION OF FEED:



NEW RELEASED EC NO: SH2016-0152 DRWN:RZHANG 2015/10/28 CHKD:RZHANG 2015/10/28 APPR:AYIN 2016/04/11	QUALITY SYMBOLS $F_A=0$ $F_E=0$ $F_P=0$	GENERAL TOLERANCES (UNLESS SPECIFIED)		DIMENSION STYLE	SCALE	DESIGN UNITS	THIRD ANGLE PROJECTION
				MM ONLY	1:1	METRIC	
				DRAWN BY	DATE	TITLE	
				4 PLACES ± ---	± ---	RZHANG 2015/10/28	
		3 PLACES ± ---	± ---	CHECKED BY	DATE		
		2 PLACES ± ---	± ---	RZHANG	2015/10/28		
		1 PLACE ± ---	± ---	APPROVED BY	DATE		
		0 PLACE ± ---	± ---	AYIN	2016/04/11		
		ANGULAR ± 3 °		MATERIAL NO.	DOCUMENT NO.		
		DRAFT WHERE APPLICABLE MUST REMAIN WITHIN DIMENSIONS		SEE CHART	PK-105454-001	SHEET NO. 1 OF 2	
				SIZE A3	THIS DRAWING CONTAINS INFORMATION THAT IS PROPRIETARY TO MOLEX INCORPORATED AND SHOULD NOT BE USED WITHOUT WRITTEN PERMISSION		

CARRIER TAPE



SECTION A-A

NOTES:

1. MATERIAL: PSCR, THICKNESS IS 0.40
2. UNLESS OTHERWISE SPECIFIED TOLERANCE PER EIA-481-D
3. UNLESS OTHERWISE SPECIFIED RADIUS;0.3R MAX.TYP.
4. 10 PITCHES CUMULATIVE TOLERANCE ON TAPE ±0.2mm (PER EIA 481-2-A)
5. DIMENSIONS MEASURED FROM WORKINGPLANE
6. MAXIMUM CAMBER 1MM/250MM MAX.

SEE SHEET 1 EC NO: SH2016-0152 DRWN:RZHANG 2015/10/28 CHKD:RZHANG 2015/10/28 APPR:AYIN 2016/04/11	REV 3	QUALITY SYMBOLS	GENERAL TOLERANCES (UNLESS SPECIFIED)		DIMENSION STYLE	SCALE	DESIGN UNITS	THIRD ANGLE PROJECTION
		$F_A=0$ $F_E=0$ $F_P=0$	mm INCH 4 PLACES ± --- ± --- 3 PLACES ± --- ± --- 2 PLACES ± --- ± --- 1 PLACE ± --- ± --- 0 PLACE ± --- ± ---	MM ONLY	1:1	METRIC		
		ANGULAR ± 3° DRAFT WHERE APPLICABLE MUST REMAIN WITHIN DIMENSIONS	DRAWN BY: RZHANG CHECKED BY: RZHANG APPROVED BY: AYIN DATE: 2015/10/28 DATE: 2015/10/28 DATE: 2016/04/11	TITLE	USB TYPE C PACKAGE FOR 105454			
					MATERIAL NO.	DOCUMENT NO.	SHEET NO.	
					885961385	PK-105454-001	2 OF 2	
THIS DRAWING CONTAINS INFORMATION THAT IS PROPRIETARY TO MOLEX INCORPORATED AND SHOULD NOT BE USED WITHOUT WRITTEN PERMISSION								