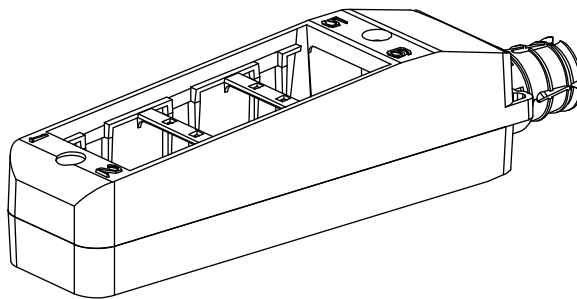
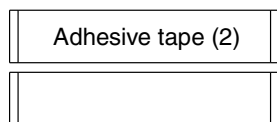
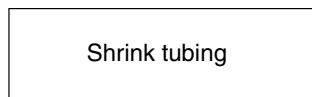
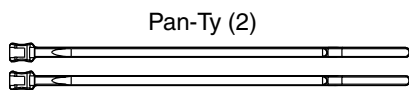
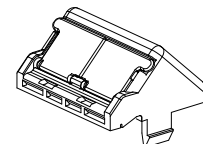
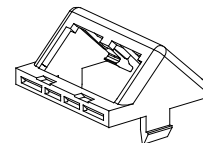


COMPONENTS:

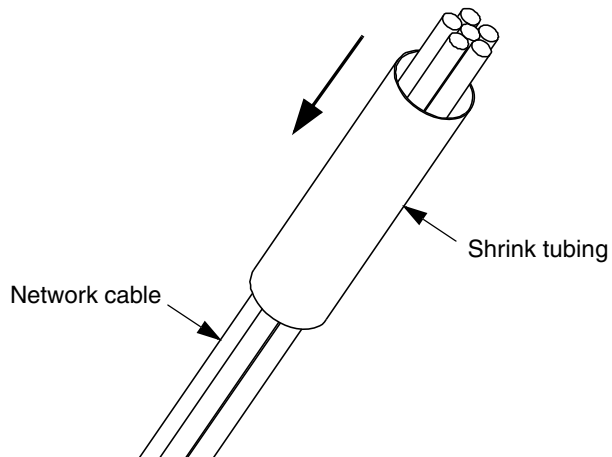


CM6P**

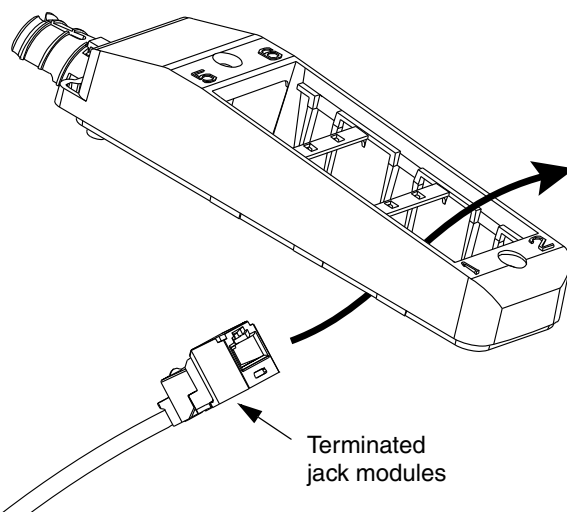
NOT INCLUDED:



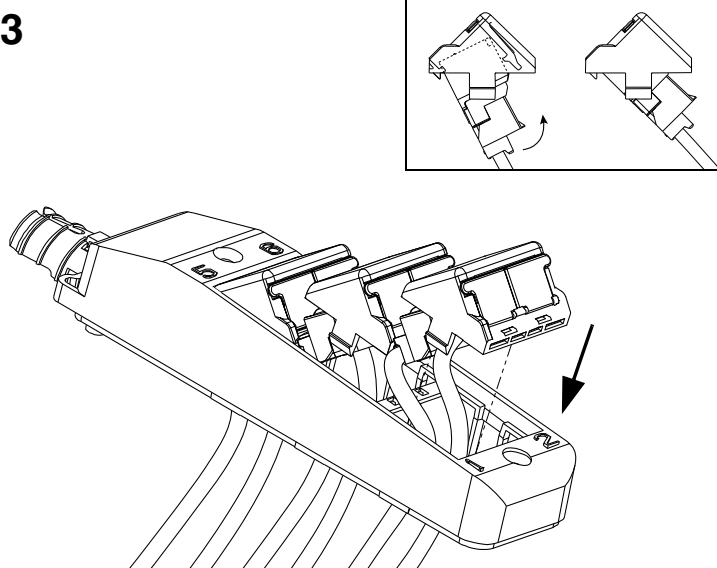
1



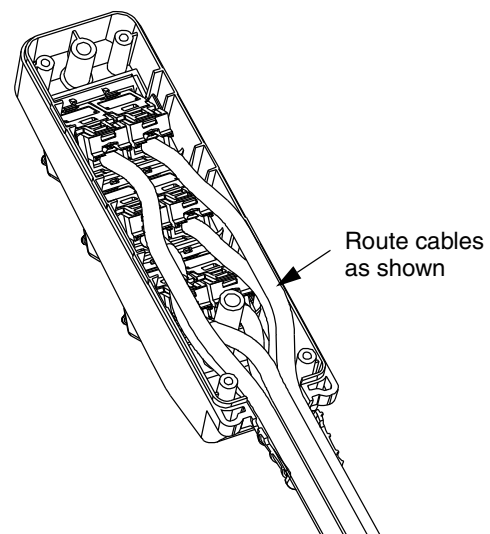
2

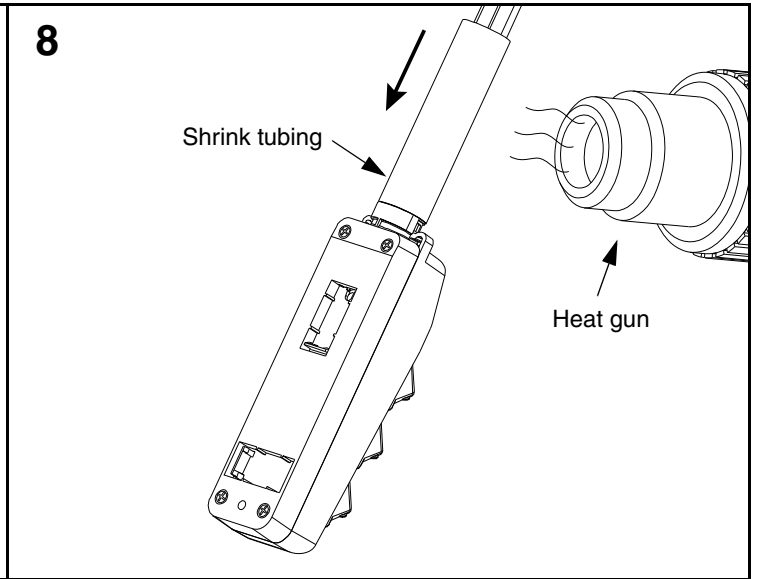
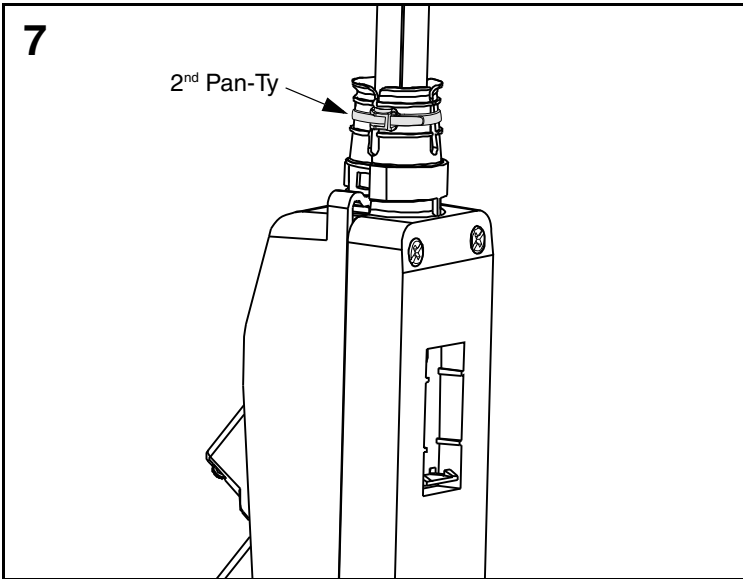
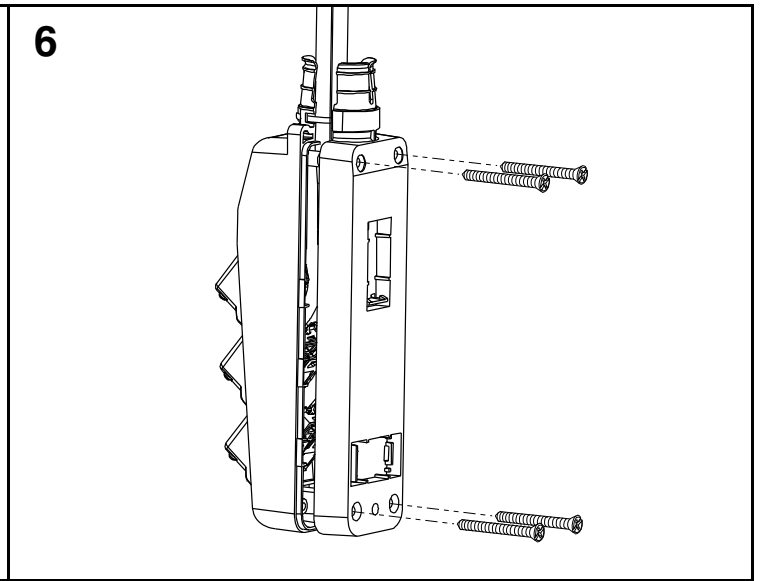
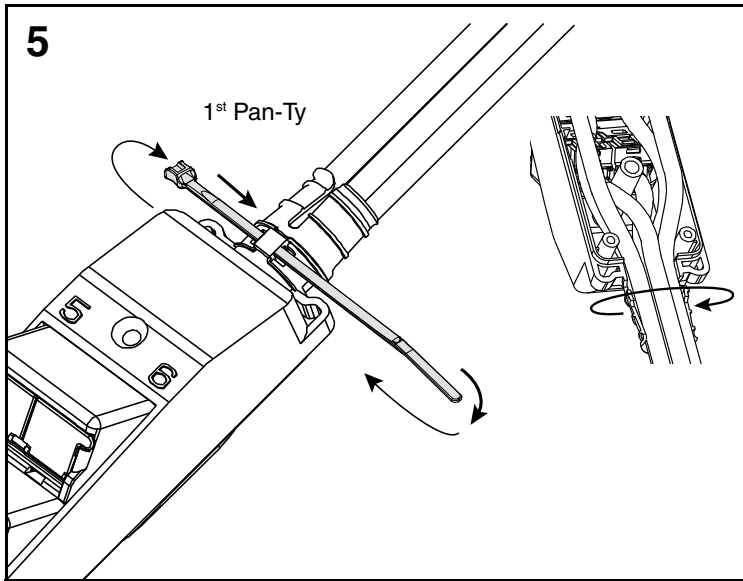


3



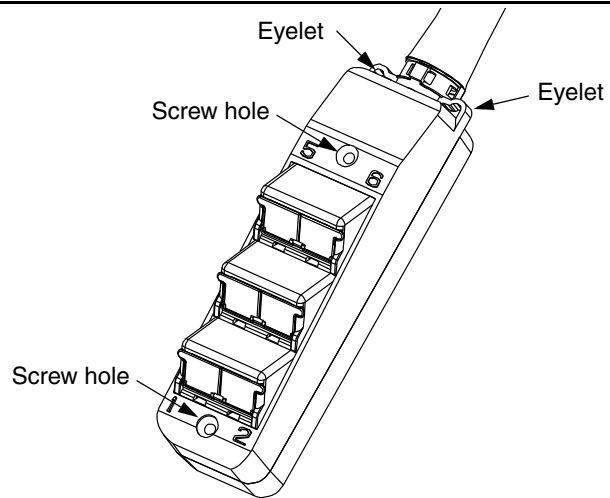
4





MOUNTING OPTIONS:

1. Two #8 flat head screws (not included) will allow box to mount to a wall.
2. Mounting eyelets allow product to be suspended.



For Instructions in Local Languages
and Technical Support:
www.panduit.com/resources/install_maintain.asp

PANDUIT
www.panduit.com

E-mail:
techsupport@panduit.com
Phone:
866-405-6654