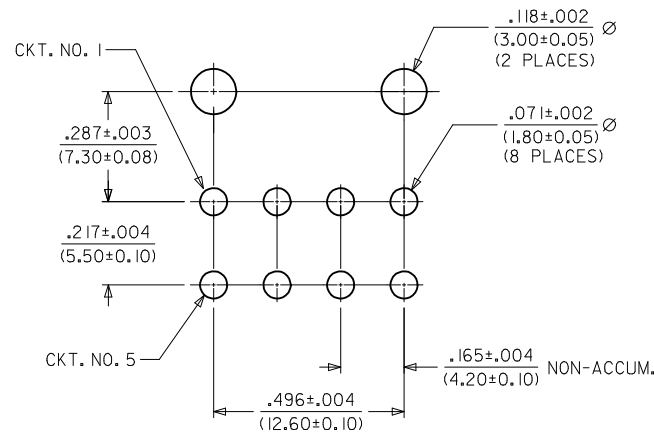
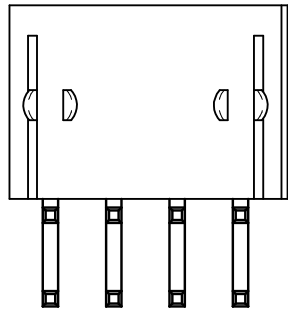
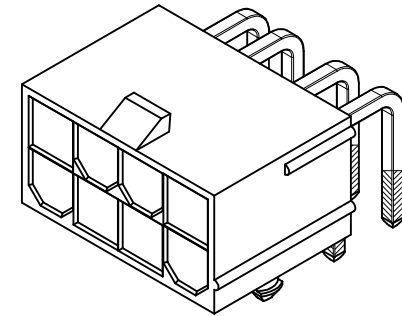
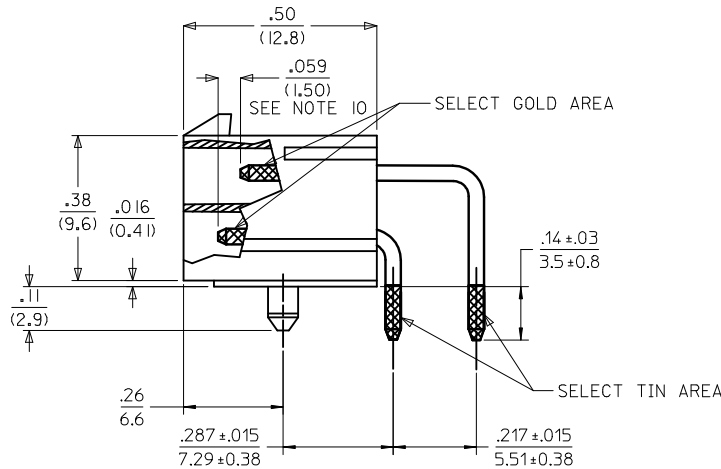


**455860001**  
**FIRST GENERATION POLARIZATION**



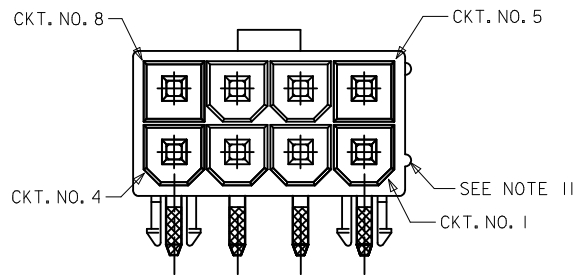
RECOMMENDED HOLE LAYOUT FOR  
.070(1.78) MAX. THICK P.C. BOARD.  
VIEWED FROM COMPONENT SIDE OF BOARD.

**NOTES:**

- 1) MATERIAL:  
HOUSING: NYLON, UL94V-0, COLOR: BLACK  
TERMINAL: BRASS
- 2) FINISH (TERMINAL PLATING):  
\*GS\* = .000030/(0.00076) MIN. SELECT GOLD AND .000100/(0.00254) SELECT MATTE TIN OVER .000050/(0.00127) NICKEL OVERALL  
\*GS2\* = .000015/(0.00038) MIN. SELECT GOLD AND .000100/(0.00254) SELECT MATTE TIN OVER .000050/(0.00127) NICKEL OVERALL
- 3) PRODUCT SPECIFICATION: PS-5556-001
- 4) PACKAGING: PER PK-5569-003.
- 5) 455860001 AND 455860004 HEADER ASSEMBLIES MATE WITH 455870003 RECEPTACLE HOUSINGS. 455860002 HEADER ASSEMBLY MATES WITH 455870002 RECEPTACLE HOUSING.
- 6) PART IS NOT DESIGNED FOR CURRENT SHARING.
- 7) PIN I.D.: STD = STANDARD LENGTH PIN  
MF / BL = MAKE FIRST / BREAK LAST
- 8) ALL DIMENSIONS ARE REFERENCE UNLESS OTHERWISE SPECIFIED WITH A TOLERANCE.
- 9) PARTS ARE NOT TO BE MATED OR UNMATED WHILE CIRCUITS ARE LIVE.
- 10) CUTAWAY SHOWN FOR REFERENCE ONLY TO SHOW MAKE-FIRST / BREAK-LAST FEATURE. SEE CHART FOR SPECIFIC PIN LOCATIONS.
- 11) FULL RIB INDICATES CIRCUIT NUMBER 1.
- 12) DISCOLORATION IN THE BANDOLIER CARRIER AREA OF THE PIN IS INHERENT TO THE PLATING PROCESS AND IS DUE TO THE MASKING EFFECT OF THE CARRIER. THIS DISCOLORATION IS IN A NON-FUNCTIONAL AREA OF THE PIN AND WILL NOT AFFECT THE PERFORMANCE OF THE HEADER ASSEMBLY.
- 13) PART CONFORMS TO CLASS 'B' REQUIREMENTS OF COSMETIC SPECIFICATION PS-45499-002.

REMOVE -0005 EC NO: UCP2014-1505 DRW: NGUYEN CHKD: BELL APPR: FSMITH 2013/10/03 2013/10/03 2013/11/04	QUALITY SYMBOLS ▽=0 ▽=0 ▽=0	GENERAL TOLERANCES (UNLESS SPECIFIED)		DIMENSION STYLE IN/MM		SCALE 4:1	DESIGN UNITS METRIC	THIRD ANGLE PROJECTION	
		4 PLACES ± --- ± ---		DRAWN BY GEP		DATE 3/7/01	TITLE <b>8 CKT. RT AN HDR ASSY., SPECIAL POLARIZATION, MINI-FIT JR. SERIES</b>  <b>molex</b>  DOCUMENT NO. <b>SD-45586-001</b>  SHEET NO. <b>1 OF 2</b>		
		3 PLACES ± --- ± .010		CHECKED BY YM		DATE 3/7/01			
		2 PLACES ± 0.25 ± .015		APPROVED BY FSMITH		DATE 2011/03/01			
		1 PLACE ± 0.38 ± ---		MATERIAL NO.		SIZE C			
0 PLACE ± ±		ANGULAR ±1/2°		THIS DRAWING CONTAINS INFORMATION THAT IS PROPRIETARY TO MOLEX INCORPORATED AND SHOULD NOT BE USED WITHOUT WRITTEN PERMISSION					
DRAFT WHERE APPLICABLE MUST REMAIN WITHIN DIMENSIONS									

13	12	11	10	9	8	7	6	5	4	3	2	1
PART NUMBER	POLARIZATION TYPE	PLATING OPTION	PIN IDENTIFICATION PER CIRCUIT, SEE NOTE 7									
			CKT. 1	CKT. 2	CKT. 3	CKT. 4	CKT. 5	CKT. 6	CKT. 7	CKT. 8		
455860001	FIRST GENERATION	GS2	STD.	MF/BL	MF/BL	MF/BL	STD.	MF/BL	MF/BL	MF/BL	MF/BL	
455860002	SECOND GENERATION	GS2	STD.	MF/BL	MF/BL	MF/BL	STD.	MF/BL	MF/BL	MF/BL	MF/BL	
455860004	FIRST GENERATION	GS	STD.	MF/BL	MF/BL	MF/BL	STD.	MF/BL	MF/BL	MF/BL	MF/BL	



**455860002**  
**SECOND GENERATION POLARIZATION**

<b>SEE SHEET 1</b> EC NO: UCP2014-1505 DRW: NGUYEN 2013/10/03 CHKD: BELL 2013/10/03 APPR: FSMITH 2013/11/04	QUALITY SYMBOLS	GENERAL TOLERANCES (UNLESS SPECIFIED)	DIMENSION STYLE	SCALE	DESIGN UNITS	THIRD ANGLE PROJECTION	
	▽=0	mm INCH	IN/MM	4:1	METRIC	☉	
	▽=0	4 PLACES ± --- ± ---	DRAWN BY DATE	TITLE			
	▽=0	3 PLACES ± --- ± .010	GEP 3/7/01	8 CKT. RT AN HDR ASSY., SPECIAL POLARIZATION, MINI-FIT JR. SERIES			
	▽=0	2 PLACES ± 0.25 ± .015	CHECKED BY DATE	<b>molex</b> DOCUMENT NO. SD-45586-001 SHEET NO. 2 OF 2			
	1 PLACE ± 0.38 ± ---	YM 3/7/01					
	0 PLACE ± ±	APPROVED BY DATE	THIS DRAWING CONTAINS INFORMATION THAT IS PROPRIETARY TO MOLEX INCORPORATED AND SHOULD NOT BE USED WITHOUT WRITTEN PERMISSION				
		FSMITH 2011/03/01					
		MATERIAL NO.					
		ANGULAR ±1/2°	SEE CHART				
		DRAFT WHERE APPLICABLE MUST REMAIN WITHIN DIMENSIONS					