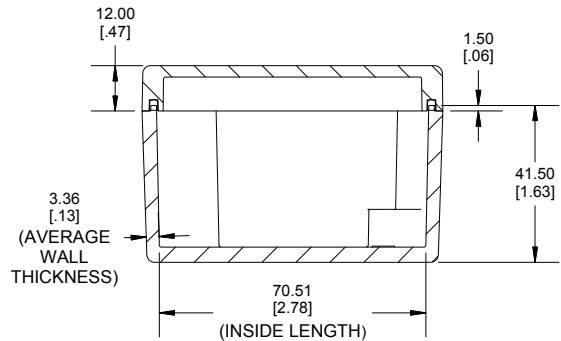
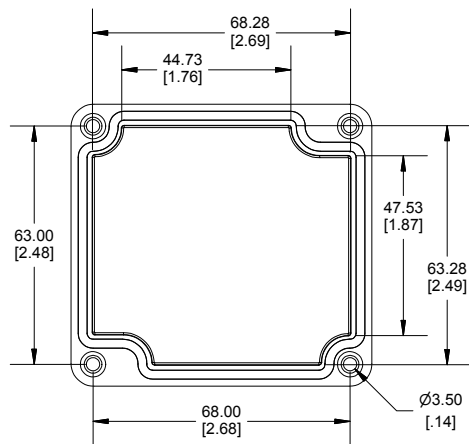


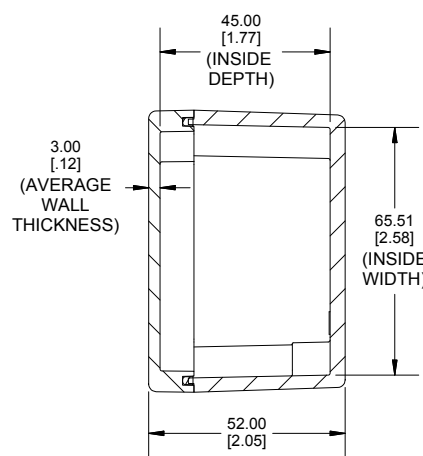
**TOP VIEW**



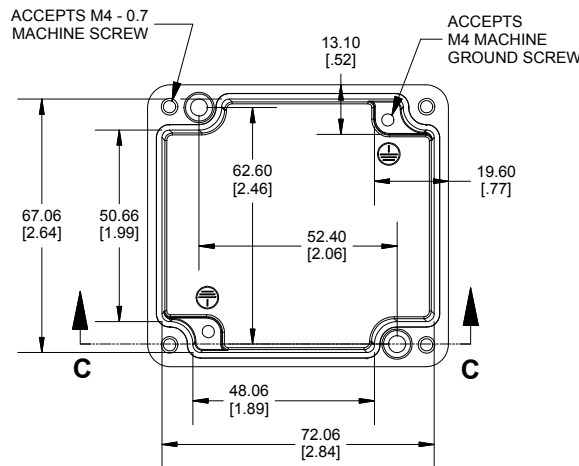
**SECTION B-B  
SIDE VIEW**



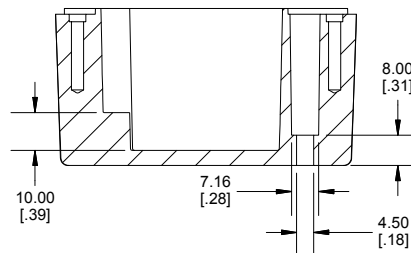
**INSIDE LID**



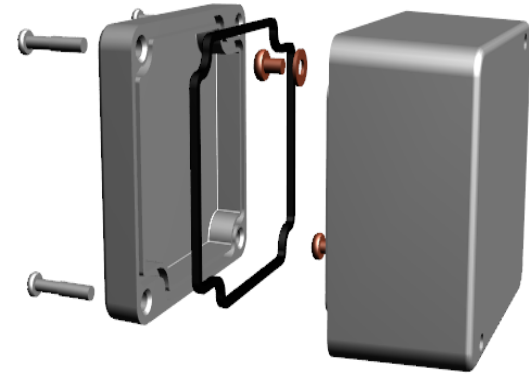
**SECTION A-A  
END VIEW**



**INSIDE BOX**



**SECTION C-C  
MOUNTING HOLE**



UL US LISTED  
FILE #E65324  
NEMA 4, 4X, 6, 6P

Enclosures can be Factory Modified ( Milling, Drilling, Printing etc.)  
Contact Factory [mjm@hammondmfg.com](mailto:mjm@hammondmfg.com) for quotes  
Solid models of this enclosure available in STEP or IGES.  
(Part number and text placement/orientation on our products are subject to change, we do not recommend using them as a locating reference for modification purposes)

**NOTE**

Purchased assembly includes box, lid, silicone gasket,  
4 cover screws and 2 ground screws with washers.  
Box and lid are made from Diecast Aluminum Alloy.

**Recommended cover screw Torque 5-7.5 lbf.in ( 50 -75 cN.m)**

1590Z110	
1590Z110 Enclosure	
Natural Enclosure	1590Z110
Black Enclosure	1590Z110BK
Grey Enclosure - RAL7001 Gloss	1590Z110GY
ACCESSORIES	
Pre-Formed Silicone Gasket (2 Pack)	1590Z100G
Copper Ground Hardware (50 Pack) [M4 - 0.7 X 6mm / M4 Washer]	SCGM4-50
Stainless Steel Cover screws (50 pkg) [M4 - 0.7 x 20mm PN]	SC576-50

Dimensions:  
mm  
[inches]

**1590Z110**  
[www.hammondmfg.com](http://www.hammondmfg.com)