

PART NAME: KNOB SCALE: 1:1 DATE: 7/17/90 DR. BY HD

THIS DRAWING IS THE PROPERTY OF DAVIES MOLDING COMPANY, IS SUBMITTED SOLELY AS A DESIGN OR ENGINEERING PROJECT. WE ACCEPT NO RESPONSIBILITY WHATSOEVER FOR THE PRACTICAL APPLICATION OF THE PIECES MADE TO THIS DESIGN.



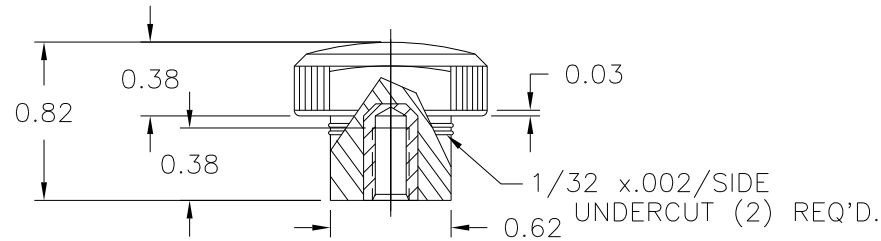
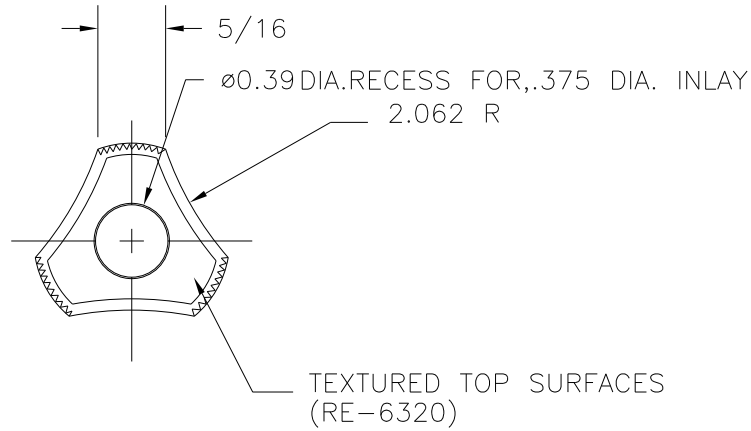
DESIGNERS & MANUFACTURERS OF KNOBS, HANDLES, CASES & CUSTOM PLASTIC COMPONENTS

P/N 3071-A

M NO. 75

CAD/REDRAWN : 6/15/95 : HD

CAVITY	3071
CORE	3071
CORE PLUG	3071
SLEEVE	3071
PIN	3071-E
INSERT	10012



(A)

#10-24 UNC-2B THD'D.FM.
 10012, H.H.BRASS

(C)

(B)

MATERIAL: NYLON 6/6 (ZY2), (ZY6)
 OR ENGINEERING APPROVED EQUIVALENT
 COLOR: BLACK

TOLERANCES: UNLESS OTHERWISE SPECIFIED	DO NOT SCALE DRAWING	C	ADDED ZY6	JAM	7/13/12
DECIMALS: X.XXX ± .005 X.XX ± .015	MM: X.XX ± 0.15MM X.X ± 0.4MM	B	ADDED MAT. CODE	DS	1/8/07
FRACTIONS ± 1/64	ANG. ± 1°	A	CORRECTED DWG. WAS 9/16 DIA.HUB	HD	6/15/95
CHANGES					