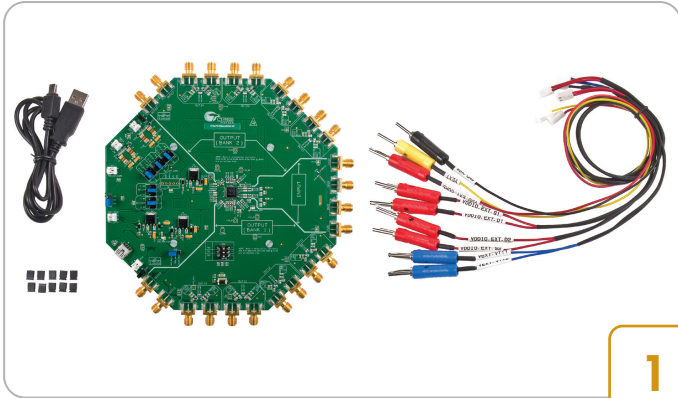
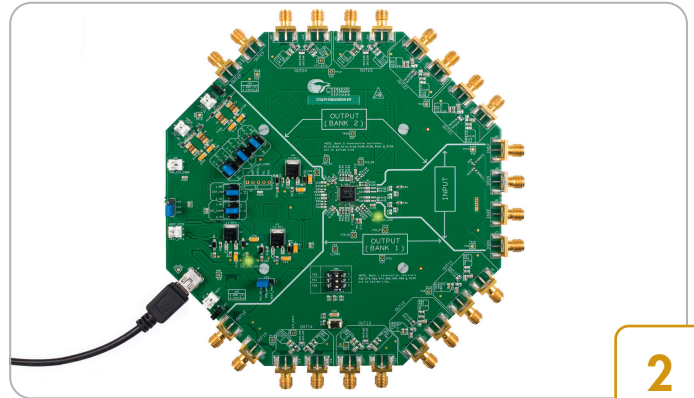


CY3679 EVALUATION KIT



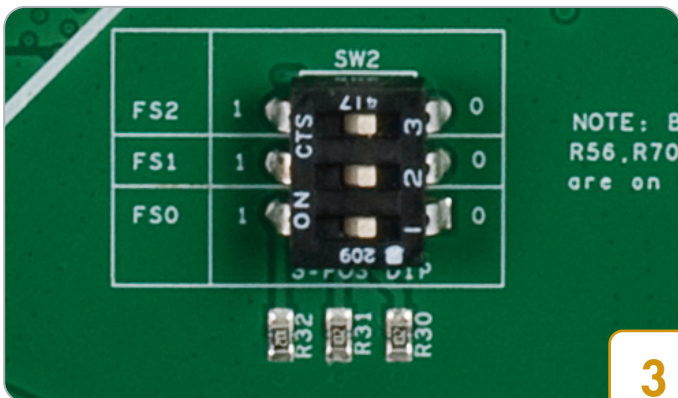
1

- Remove CY3679 Evaluation Kit contents from the box
- Kit Contents: CY3679 Evaluation Board, USB Standard-A to Mini-B cable, power cables for external supply and jumper shunts



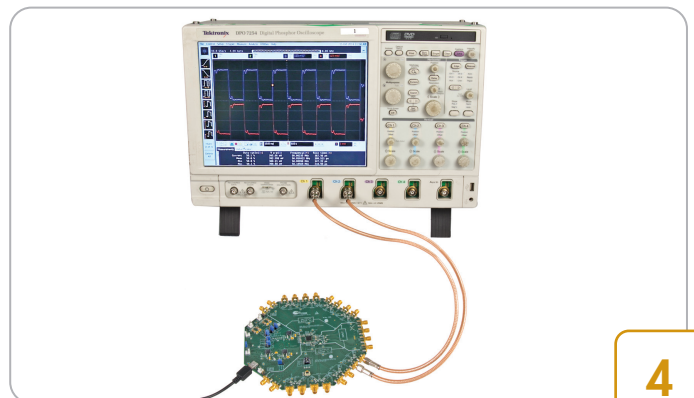
2

- Download and install the latest kit software from www.cypress.com/go/CY3679
- Connect the kit to your computer using the USB cable provided
- LED1 and LED2 are turned ON



3

- Use the frequency select switch (SW2) shown above to choose the desired profile
- The profiles are pre-loaded in the internal flash of the clock device
- The frequency configurations for each profile are as shown in Table 1



4

- Connect OUT11 or any output you wish to evaluate to the oscilloscope using an SMA cable

Table 1: Frequency profile selection table with default settings

Profile Sel FS[2:0] (SW2)	OUT11	OUT12	OUT13	OUT14	OUT15	OUT16	OUT21	OUT22	OUT23	OUT24	OUT25	OUT26
	LVPECL	LVDS	HCSL	CML	LVC MOS	LVC MOS	LVPECL	LVDS	HCSL	CML	LVC MOS	LVC MOS
000	50 MHz	50 MHz	100 MHz	100 MHz	32.768 KHz	33.33 MHz	156.25 MHz	156.25 MHz	156.25 MHz	156.25 MHz	133.33 MHz	33.33 MHz
001	100 MHz	100 MHz	50 MHz	50 MHz	25 MHz	33.33 MHz	155.52 MHz	155.52 MHz	77.76 MHz	77.76 MHz	25 MHz	10 MHz
010	25 MHz	25 MHz	25 MHz	25 MHz	24 MHz	48 MHz	77.76 MHz	77.76 MHz	77.76 MHz	77.76 MHz	10 MHz	25 MHz
011	33.33 MHz	66.66 MHz	133.33 MHz	133.33 MHz	24 MHz	48 MHz	38.88 MHz	38.88 MHz	24 MHz	24 MHz	48 MHz	48 MHz

Note: For LVPECL, HCSL and LVC MOS outputs, (J44.1 & J44.2) and (J45.1 & J45.2) MUST be shorted
While evaluating LVDS and CML outputs, (J44.1 & J44.2) and (J45.1 & J45.2) MUST be open

CY3679 EVALUATION KIT

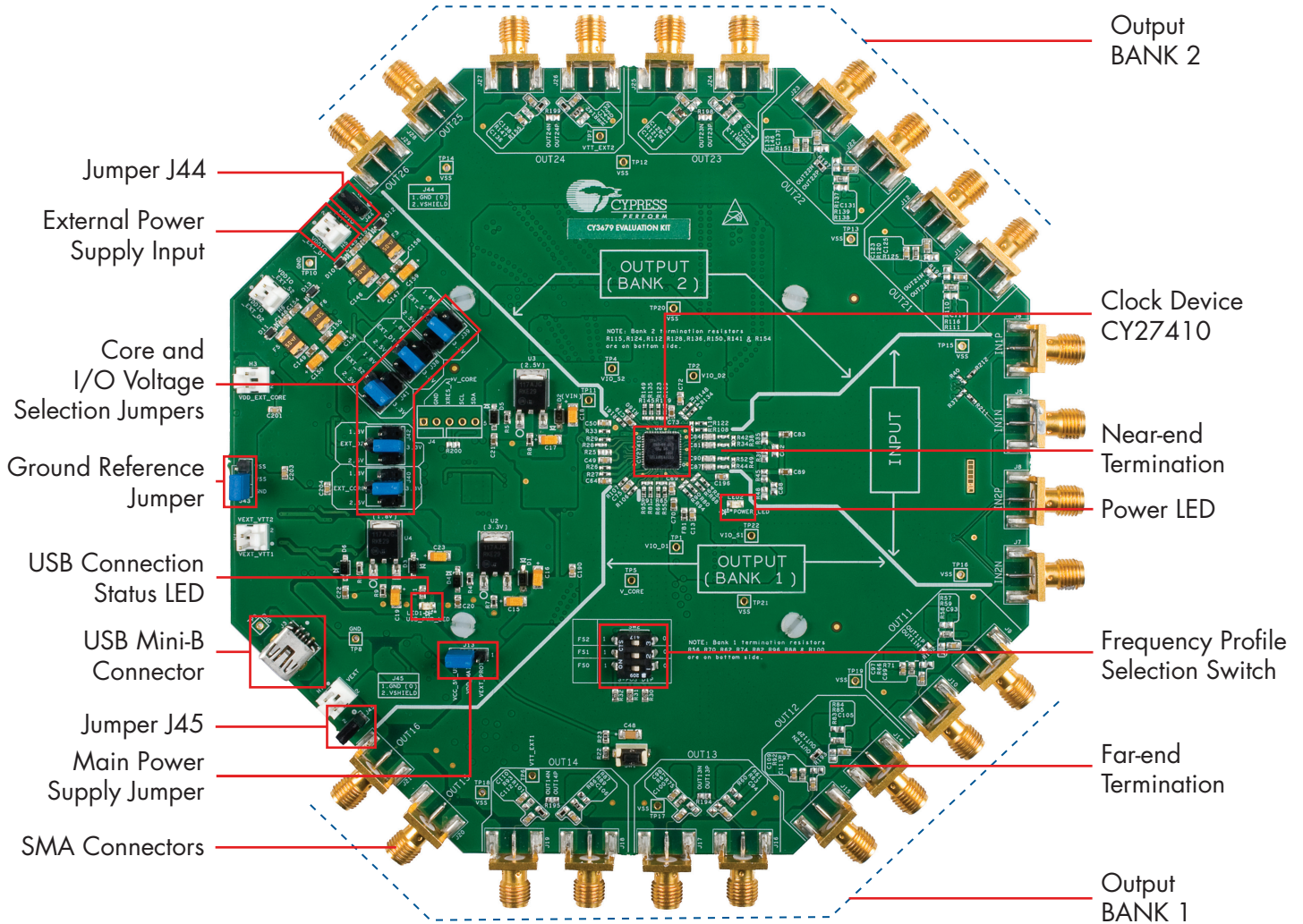


Table 2 – Default Jumper Settings on the CY3679 Evaluation Board

Jumper	Default Settings	Selection	Jumper	Default Settings	Selection
J13	Pin 2 and 3 are shorted	USB supply selected	J42	Pin 4 and 5 are shorted	3.3 V selected for VDDIO_D2
J38	Pin 4 and 5 are shorted	3.3 V selected for VDDIO_D1	J43	Pin 1 and 2 are shorted	GND* and VSS* are shorted
J39	Pin 4 and 5 are shorted	3.3 V selected for VDDIO_S1	J44	Pin 1 and 2 are shorted	GND* and VSHIELD* are shorted
J40	Pin 4 and 5 are shorted	3.3 V selected for VDD (core)	J45	Pin 1 and 2 are shorted	GND* and VSHIELD* are shorted
J41	Pin 4 and 5 are shorted	3.3 V selected for VDDIO_S2			

*GND is earth ground, VSS is CY27410 device ground and VSHIELD is SMA ground

For the latest information about this kit and to download kit software and hardware files, visit www.cypress.com/go/CY3679