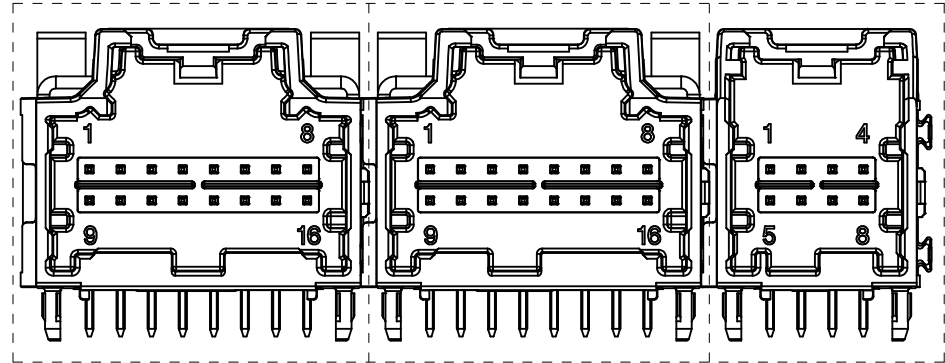


3-BAY STAC64 RIGHT ANGLE HEADER ASSEMBLY
(P/N: 34997-3000 SHOWN)

BAY 'A' BAY 'B' BAY 'C'



DIMENSIONAL CHART FOR MULTIBAY CONFIGURATION:

3 BAY PART NUMBER (TUBE PKG)	3 BAY PART NUMBER (TRAY PKG)	BAY A			BAY B			BAY C			DIM 'A'	DIM 'B'	DIM 'C'	DIM 'D'	DIM 'E'
		CKT	TYPE	POL	CKT	TYPE	POL	CKT	TYPE	POL					
TBD	34997-3000	16	0.64mm	B	16	0.64mm	A	8	0.64mm	A	74.44	71.97	22.86	22.86	12.70
TBD	34997-3001	12	0.64mm	A	12	0.64mm	B	16	0.64mm	A	74.44	71.97	17.78	17.78	22.86
TBD	34997-3002	16	0.64mm	A	12	0.64mm	A	20	0.64mm	A	84.60	82.13	22.86	17.78	27.94
TBD	34997-3003	16	0.64mm	A	20	0.64mm	A	12	0.64mm	A	84.60	82.13	22.86	27.94	17.78
TBD	34997-3004	20	0.64mm	A	20	0.64mm	B	8	0.64mm	A	84.60	82.13	27.94	27.94	12.70
TBD	34997-3005	10	HYBRID	A	16	0.64mm	A	8	0.64mm	A	79.52	77.05	27.94	22.86	12.70
TBD	34997-3006	12	0.64mm	A	8	0.64mm	B	16	0.64mm	C	69.36	66.89	17.78	12.70	22.86
TBD	34997-3007	20	0.64mm	A	20	0.64mm	B	20	0.64mm	C	99.84	97.37	27.94	27.94	27.94
TBD	34997-3008	20	0.64mm	D	16	0.64mm	C	12	0.64mm	C	84.60	82.13	27.94	22.86	17.78
TBD	34997-3009	20	0.64mm	C	20	0.64mm	B	20	0.64mm	A	99.84	97.37	27.94	27.94	27.94
TBD	34997-3010	12	0.64mm	C	16	0.64mm	C	20	0.64mm	D	84.60	82.13	17.78	22.86	27.94
TBD	34997-3011	8	0.64mm	A	8	0.64mm	B	8	0.64mm	C	54.12	51.65	12.70	12.70	12.70

NOTES: VALID UNLESS OTHERWISE SPECIFIED
1. GENERAL:

a. CONNECTOR HEADER MUST BE VALIDATED TO THE FOLLOWING FUNCTIONAL REQUIREMENT:

PRODUCT SPECIFICATION:
8-20 CKT 0.64 PRODUCT SPEC: PS-34729-020/PS-31408-100
10/14CKT HYBRID PRODUCT SPEC: PS-34696-100

b. APPLICATION REQUIREMENTS (REFERENCE ONLY):

APPLICATION SPECIFICATION: AS-34729-020/AS-31408-100

c. PACKAGING SPECIFICATION PER MOLEX DRAWING PK-31300-892 (TRAY)
d. PACKAGING SPECIFICATION PER MOLEX DRAWING PK-31301-063 (TUBE)

2. DESIGN MATERIALS:

a. SHROUD (PLASTIC HOUSING):
RESIN - SPS 30%GF

HOUSING COLOR:
BLACK - POLARIZATION 'A'
GREY - POLARIZATION 'B'
BROWN - POLARIZATION 'C'
GREEN - POLARIZATION 'D'

b. 0.64mm PINS:
BASE MATERIAL: C26000
PLATING TYPE: AS NOTED

c. 15/2.8mm BLADES:
BASE MATERIAL: C19400
PLATING TYPE: AS NOTED

3. PLATING REQUIREMENTS:

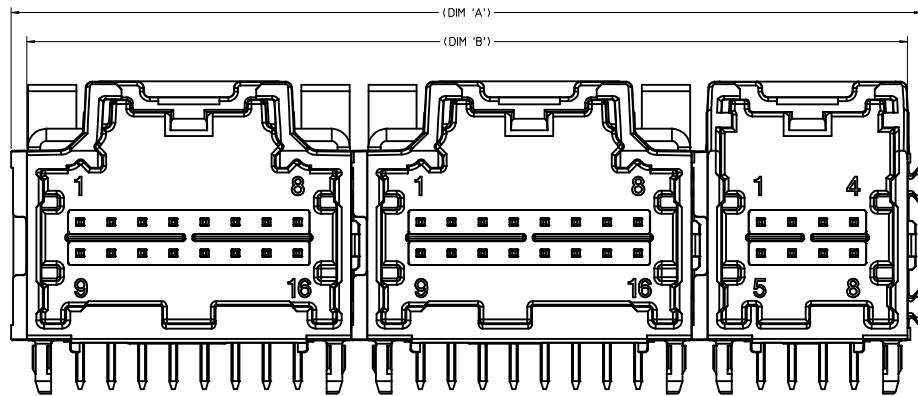
a. UNDERPLATING - OVERALL NICKEL

b. OVERPLATING - OVERALL TIN

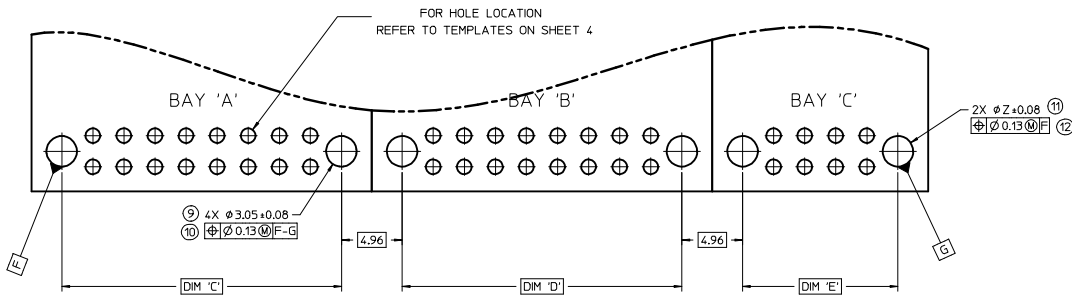
4. FOR DESCRIPTION OF INDIVIDUAL BAYS, REFER TO THE FOLLOWING

SINGLE BAY DRAWINGS:
8-20 CKT 0.64: SD-34691-601
10CKT HYBRID: SD-34696-100
14CKT HYBRID: SD-34773-010

ENTER DESCRIPTION EEC NO. UAU2017-0573 DRAWN BY JFISCHERO1 2017/01/04 CHKD: APPR:RBAUMAN 2017/01/10 REV DESCRIPTION	QUALITY SYMBOLS	GENERAL TOLERANCES (UNLESS SPECIFIED)	DIMENSION STYLE	SCALE	DESIGN UNITS	THIRD ANGLE PROJECTION
	▽=0	mm INCH	MM ONLY	5:1	METRIC	☉
	▽=0	4 PLACES ± --- ± ---	DRAWN BY DATE	TITLE		
	▽=0	3 PLACES ± 0.13 ± ---	JFISCHERO1 2013/05/31	STAC64 3-BAY PAP R/A LONG PIN HEADER ASSEMBLY SALES DRAWING		
	ANGULAR ± 1 °	1 PLACE ± 0.25 ± ---	CHECKED BY DATE	DOCUMENT NO.		
	DRAFT WHERE APPLICABLE MUST REMAIN WITHIN DIMENSIONS	0 PLACE ± --- ± ---	APPROVED BY DATE	SHEET NO.		
			RBAUMAN 2013/06/04	SD-34997-300		
			MATERIAL NO.	1 OF 4		
			SEE CHART	THIS DRAWING CONTAINS INFORMATION THAT IS PROPRIETARY TO MOLEX INCORPORATED AND SHOULD NOT BE USED WITHOUT WRITTEN PERMISSION		



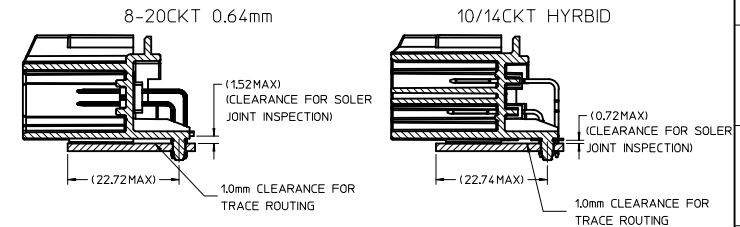
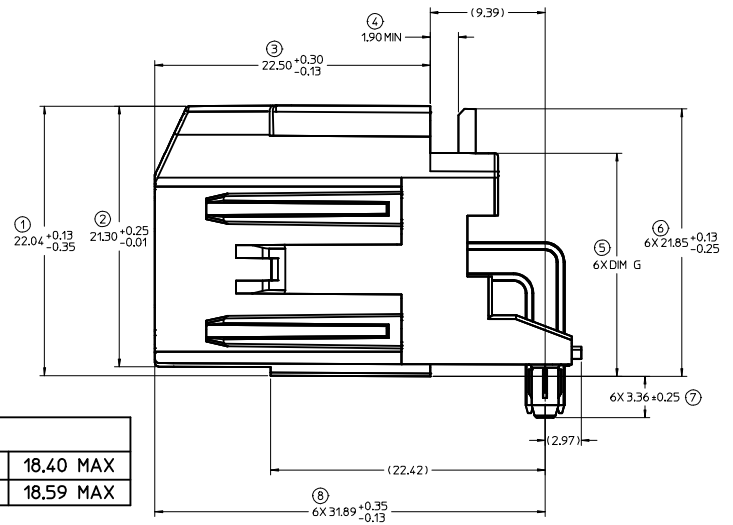
RECOMMENDED PCB LAYOUT
 INSERT NECESSARY BAYS USING CHART ON SHEET 1



FOR DIM G:		
8-20CKT	0.64mm	18.40 MAX
10/14CKT Hybrid		18.59 MAX

POST HOLE TABLE:

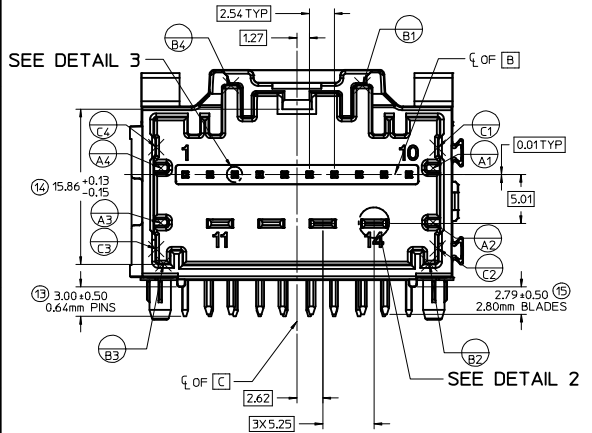
FOR DIM Z:	
PRESS FIT:	2.60
DROP IN:	3.05



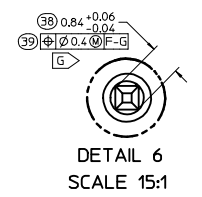
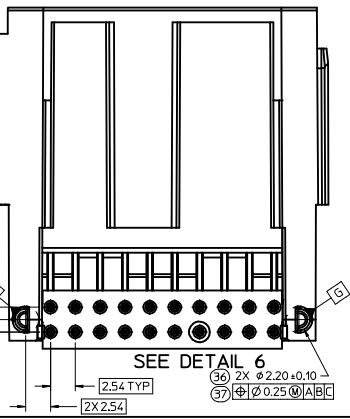
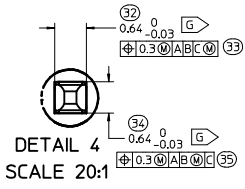
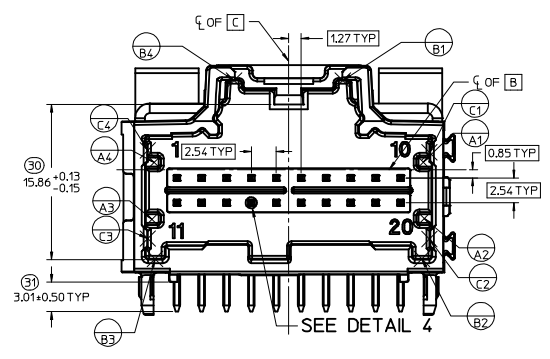
FLUSH MOUNTING
 HEADER-TO-PCB
 SCALE 2:1

ENTER DESCRIPTION IEC NO. UAU2017-0573 DRAWN BY JFISCHER01 2017/01/04 CHKD: JFISCHER01 APPR: RBAUMAN 2017/01/10 REV: DESCRIPTION	QUALITY SYMBOLS ▽=0 ▽=0 ▽=0	GENERAL TOLERANCES (UNLESS SPECIFIED)		DIMENSION STYLE MM ONLY		SCALE 5:1	DESIGN UNITS METRIC	THIRD ANGLE PROJECTION
		mm	INCH	DRAWN BY JFISCHER01	DATE 2013/05/31	TITLE STAC64 3-BAY PAP R/A LONG PIN HEADER ASSEMBLY SALES DRAWING		
4 PLACES ±---	±---	±---	±---	CHECKED BY	DATE	molex MATERIAL NO. SEE CHART DOCUMENT NO. SD-34997-300 SHEET NO. 2 OF 4		
3 PLACES ±---	±---	±---	±---	APPROVED BY RBAUMAN	DATE 2013/06/04			
2 PLACES ±0.13	±---	±---	±---	DRAFT WHERE APPLICABLE MUST REMAIN WITHIN DIMENSIONS		THIS DRAWING CONTAINS INFORMATION THAT IS PROPRIETARY TO MOLEX INCORPORATED AND SHOULD NOT BE USED WITHOUT WRITTEN PERMISSION		
1 PLACE ±0.25	±---	±---	±---					
0 PLACE ±---	±---	±---	±---					

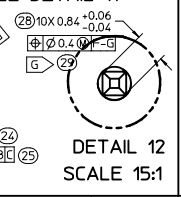
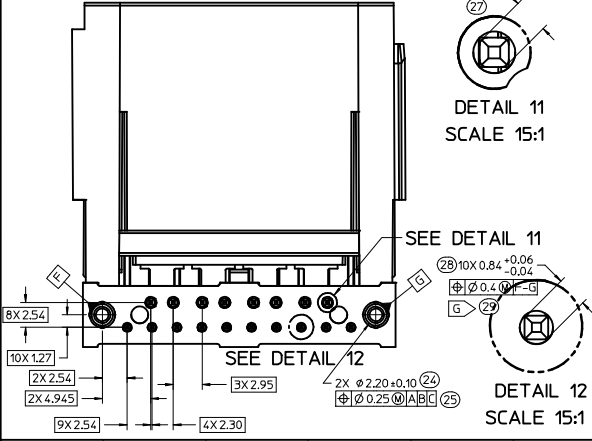
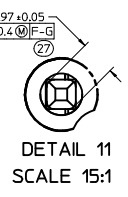
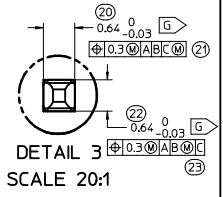
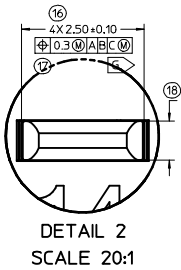
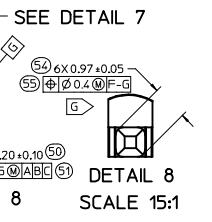
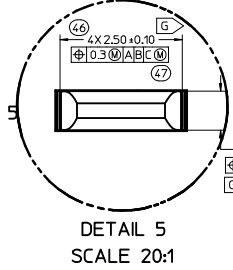
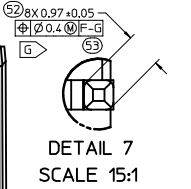
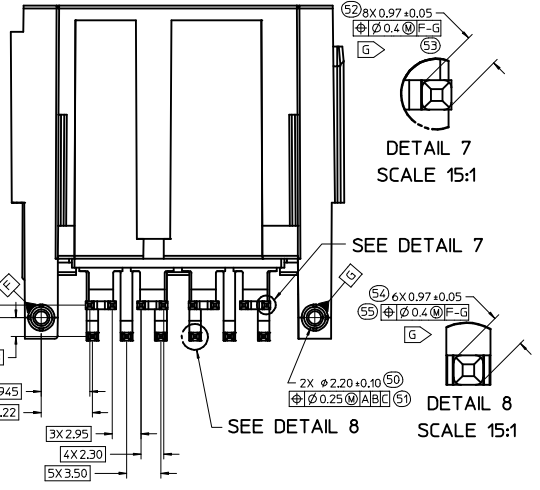
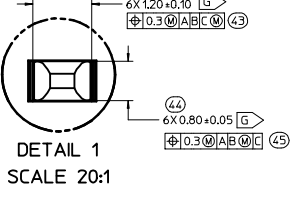
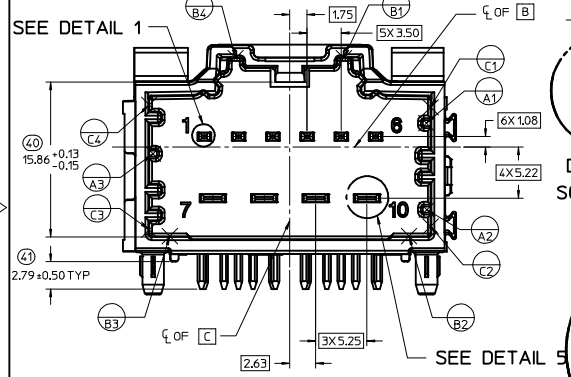
14CKT STAC HYBRID HEADER DETAILS



8-20CKT STAC64 HEADER DETAILS

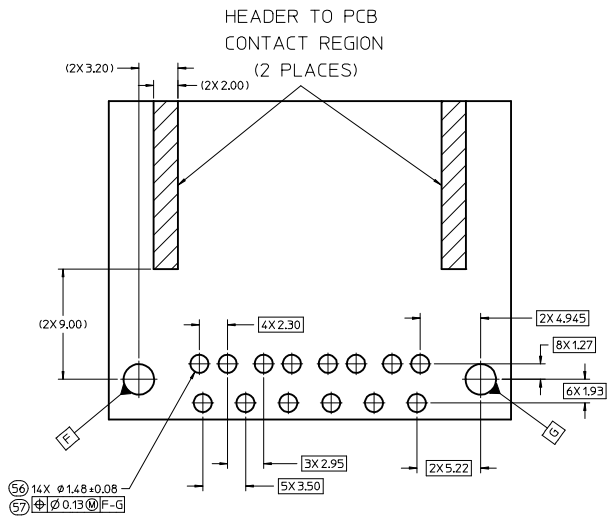


10CKT STAC HYBRID HEADER DETAILS

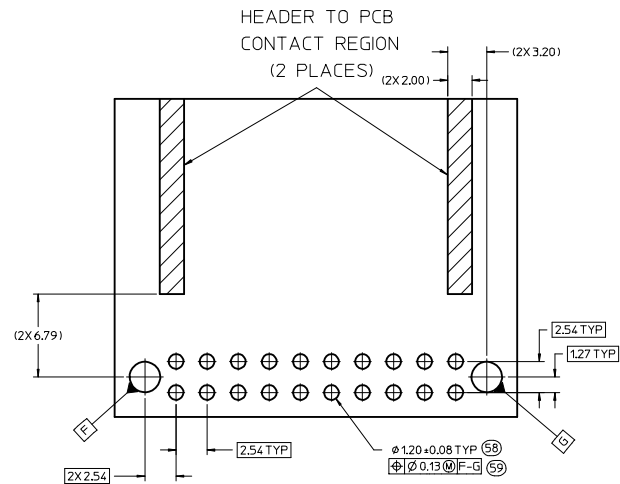


ENTER DESCRIPTION EC NO. UAU2017-0573 DRAWN/FISCHER01 2017/01/04 CHKD: APPR:RBAUMAN 2017/01/10 REV:	QUALITY SYMBOLS	GENERAL TOLERANCES (UNLESS SPECIFIED)	DIMENSION STYLE	SCALE	DESIGN UNITS	THIRD ANGLE PROJECTION
	▽=0	mm INCH	MM ONLY	4:1	METRIC	☉
	▽=0	4 PLACES ± --- ± ---	DRAWN BY DATE	TITLE		
	▽=0	3 PLACES ± --- ± ---	JF FISCHER01 2013/05/31	STAC64 3-BAY PAP R/A LONG PIN HEADER ASSEMBLY SALES DRAWING		
▽=0	2 PLACES ± 0.13 ± ---	CHECKED BY DATE	DOCUMENT NO.			SHEET NO.
▽=0	1 PLACE ± 0.25 ± ---	APPROVED BY DATE	SD-34997-300			3 OF 4
▽=0	0 PLACE ± --- ± ---	RBAUMAN 2013/06/04	MATERIAL NO.			
	ANGULAR ± 1°	DRAFT WHERE APPLICABLE MUST REMAIN WITHIN DIMENSIONS	SEE CHART			
			THIS DRAWING CONTAINS INFORMATION THAT IS PROPRIETARY TO MOLEX INCORPORATED AND SHOULD NOT BE USED WITHOUT WRITTEN PERMISSION			

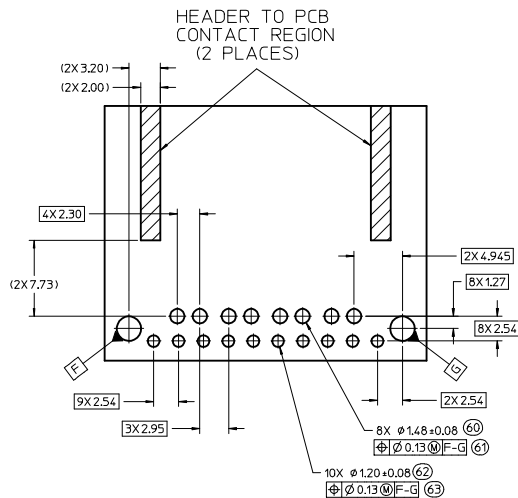
10 CKT HYBRID TEMPLATE PCB LAYOUT



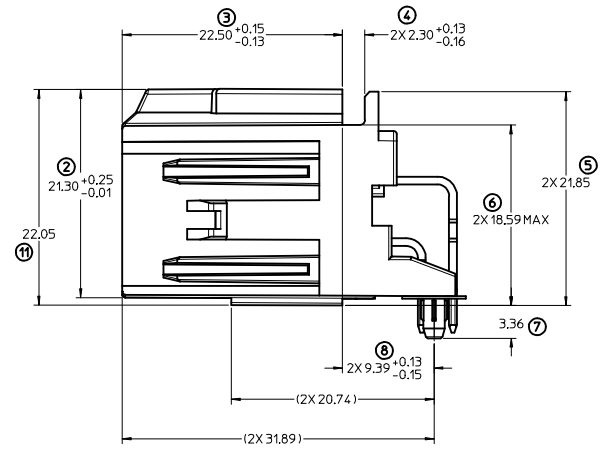
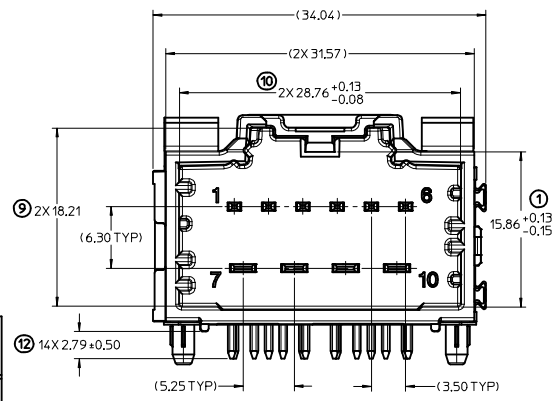
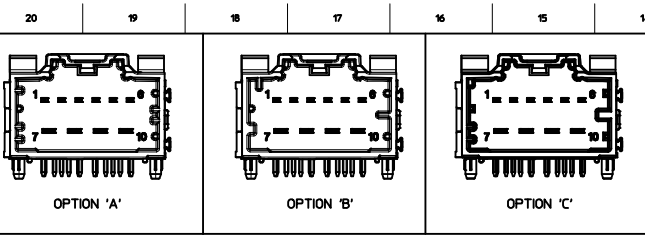
8-20CKT 0.64mm TEMPLATE PCB LAYOUT



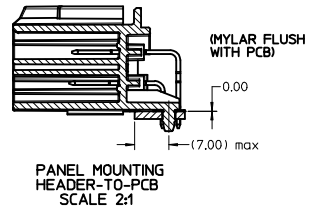
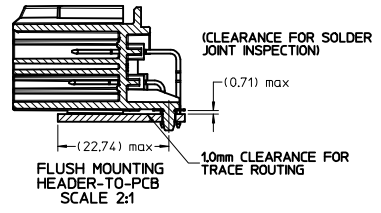
14 CKT HYBRID TEMPLATE PCB LAYOUT



ENTER DESCRIPTION IEC NO. UAU2017-0573 DRAWN BY JFISCHER01 2017/01/04 CHKD: APPR:RBAUMAN 2017/01/10 REV:	QUALITY SYMBOLS	GENERAL TOLERANCES (UNLESS SPECIFIED)	DIMENSION STYLE	SCALE	DESIGN UNITS	THIRD ANGLE PROJECTION
	▽=0	mm INCH	MM ONLY	5:1	METRIC	☉
	▽=0	4 PLACES ± ---	DRAWN BY DATE	TITLE		
	▽=0	3 PLACES ± ---	JFISCHER01 2013/05/31	STAC64 3-BAY PAP R/A LONG PIN HEADER ASSEMBLY SALES DRAWING		
	ANGULAR ± 1°	1 PLACE ± 0.25	CHECKED BY DATE	APPROVED BY DATE		
	DRAFT WHERE APPLICABLE MUST REMAIN WITHIN DIMENSIONS	0 PLACE ± ---	RBAUMAN 2013/06/04	MATERIAL NO. DOCUMENT NO.		
		SEE CHART	SD-34997-300			SHEET NO. 4 OF 4
			THIS DRAWING CONTAINS INFORMATION THAT IS PROPRIETARY TO MOLEX INCORPORATED AND SHOULD NOT BE USED WITHOUT WRITTEN PERMISSION			

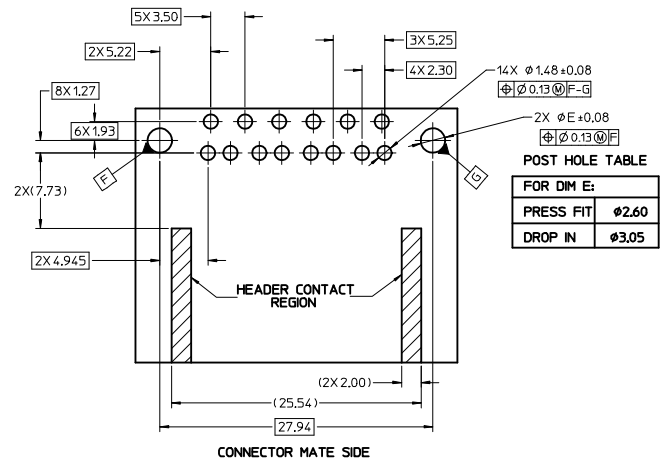


MATERIAL NUMBER			CKT SIZE	DESCRIPTION	POL	COLOR
TUBE PACK	TRAY PACK	ALT TRAY				
34696-9100	34696-0100	TBD	10	POWER STAC RIGHT ANGLE HEADER ASSEMBLY	A	BLACK
34696-9101	34696-0101	34696-9104	10	POWER STAC RIGHT ANGLE HEADER ASSEMBLY	B	GREY
34696-9102	34696-0102	TBD	10	POWER STAC RIGHT ANGLE HEADER ASSEMBLY	C	BROWN



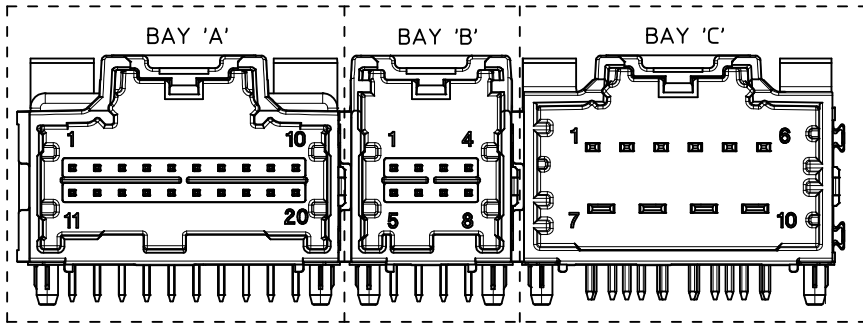
- NOTES: VALID UNLESS OTHERWISE SPECIFIED
1. GENERAL:
- a. CONNECTOR HEADER MUST BE VALIDATED TO THE FOLLOWING FUNCTIONAL REQUIREMENTS:
 - PIN RETENTION - USCAR-2 REV 4
 - SOLDERABILITY - SMES-152
 - b. APPLICATION REQUIREMENTS (REFERENCE ONLY) FOR:
 - SEE APPLICATION SPECIFICATION - AS-34690-000
 - SEE PRODUCT SPECIFICATION - PS-31372-100
 - MATES WITH: SD-31372-900
 - c. PACKAGING SPECIFICATION PER MOLEX DRAWING PK-31300-892 (TRAY)
 - d. PACKAGING SPECIFICATION PER MOLEX DRAWING PK-31301-063 (TUBE)
 - e. PACKAGING SPECIFICATION PER MOLEX DRAWING PK-31300-894 (ALT TRAY)
2. DESIGN: MATERIALS:
- a. SHROUD (PLASTIC HOUSING):
 - RESIN - SPS 30%GF
 - b. 150mm BLADES:
 - BASE MATERIAL: C19400
 - PLATING TYPE: AS NOTED
 - 2.80mm BLADES:
 - BASE MATERIAL: C19400
 - PLATING TYPE: AS NOTED
 - c. PIN ALIGNMENT PLATE: MYLAR
3. PLATING REQUIREMENTS:
- a. UNDERPLATING - OVERALL NICKEL
 - b. OVERPLATING - OVERALL TIN

RECOMMENDED PCB LAYOUT



ADDED POL C ELEC NO: UAU2016-1356 DRAWN: FISCHER01 2016/03/09 CHKD: APPR: RBAUMAN DATE: 2016/03/10	QUALITY SYMBOLS ▽=0 ▽=0	GENERAL TOLERANCES (UNLESS SPECIFIED)	DIMENSION STYLE MM ONLY	SCALE 4:1	DESIGN UNITS METRIC	THIRD ANGLE PROJECTION													
		<table border="1"> <thead> <tr> <th></th> <th>mm</th> <th>INCH</th> </tr> </thead> <tbody> <tr> <td>4 PLACES</td> <td>±---</td> <td>±---</td> </tr> <tr> <td>3 PLACES</td> <td>±---</td> <td>±---</td> </tr> <tr> <td>2 PLACES</td> <td>±0.13</td> <td>±---</td> </tr> <tr> <td>1 PLACE</td> <td>±0.25</td> <td>±---</td> </tr> </tbody> </table>		mm	INCH	4 PLACES	±---	±---	3 PLACES	±---	±---	2 PLACES	±0.13	±---	1 PLACE	±0.25	±---	DRAWN BY: MBAILEY DATE: 10/02/06 CHECKED BY: EDILLON DATE: 04/18/07 APPROVED BY:	TITLE STAC64 SINGLE BAY R/A 10 CKT. HEADER ASSEMBLY SALES DRAWING
	mm	INCH																	
4 PLACES	±---	±---																	
3 PLACES	±---	±---																	
2 PLACES	±0.13	±---																	
1 PLACE	±0.25	±---																	

3-BAY STAC64 RIGHT ANGLE HEADER ASSEMBLY (P/N: 34708-3040 SHOWN)



NOTES: VALID UNLESS OTHERWISE SPECIFIED

1. GENERAL:

- a. CONNECTOR HEADER MUST BE VALIDATED TO THE FOLLOWING FUNCTIONAL REQUIREMENTS:

PRODUCT SPECIFICATION:
 8-20 CKT 0.64 PRODUCT SPEC: PS-34729-020/PS-31408-100
 10/14 CKT HYBRID PRODUCT SPEC: PS-31372-100

- b. APPLICATION REQUIREMENTS (REFERENCE ONLY):

APPLICATION SPECIFICATION: AS-34729-020/AS-31408-100

- c. PACKAGING SPECIFICATION PER MOLEX DRAWING PK-31300-892 (TRAY)
 d. PACKAGING SPECIFICATION PER MOLEX DRAWING PK-31301-063 (TUBE)

2. DESIGN MATERIALS:

- a. SHROUD (PLASTIC HOUSING):

RESIN - SPS 30%GF
 COLOR:
 POL A - BLACK
 POL B - GRAY
 POL C - BROWN
 POL D - GREEN

- b. 0.64mm PINS:

BASE MATERIAL: C26000
 PLATING TYPE: AS NOTED

150/2.80mm BLADES:
 BASE MATERIAL: C19400
 PLATING TYPE: AS NOTED

3. PLATING REQUIREMENTS:

- a. UNDERPLATING - OVERALL NICKEL

- b. OVERPLATING - OVERALL TIN

4. FOR DESCRIPTION OF INDIVIDUAL BAYS, REFER TO THE FOLLOWING

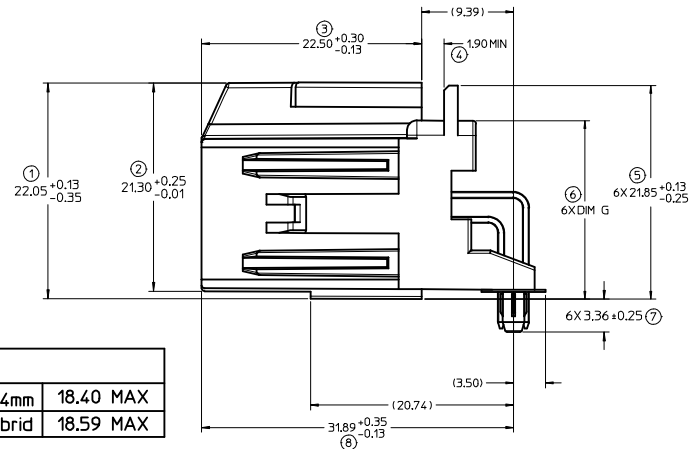
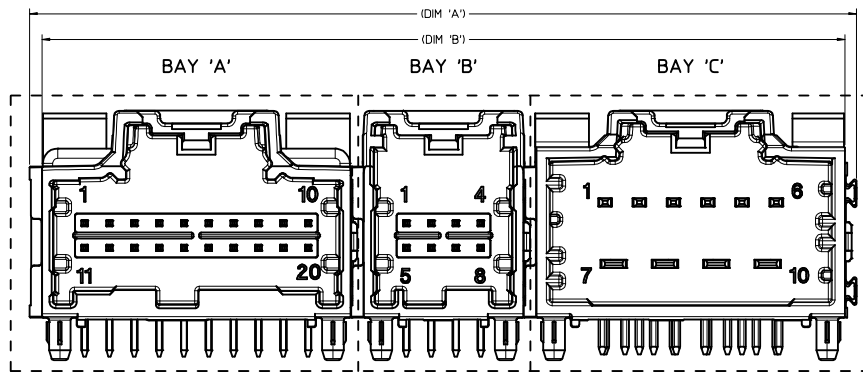
SINGLE BAY DRAWINGS:
 8-20 CKT 0.64: SD-34691-100
 10 CKT HYBRID: SD-34696-100
 14 CKT HYBRID: SD-34773-010

ADDED POL COLOR DEC NO: UAU2017-0095 DRAWN: FISCHER01 2016/08/01 CHKD: APPROVAL: MAN 2016/08/03 REV: U6	QUALITY SYMBOLS	GENERAL TOLERANCES (UNLESS SPECIFIED)	DIMENSION STYLE	SCALE	DESIGN UNITS	THIRD ANGLE PROJECTION	
	▽=0 ▽=0	mm INCH 4 PLACES ± --- ± --- 3 PLACES ± --- ± --- 2 PLACES ± 0.13 ± --- 1 PLACE ± 0.25 ± --- ANGULAR ± 1°	MM ONLY	4:1	METRIC	DRAWN BY: VDANIELE DATE: 9/05/2008 CHECKED BY: CDILLON DATE: 9/05/2008 APPROVED BY: SMARCEAU DATE: 2010/10/20	TITLE: 3-BAY STAC64 RIGHT ANGLE HEADER ASSEMBLY SALES DRAWING MOLEX INCORPORATED
		DRAFT WHERE APPLICABLE MUST REMAIN WITHIN DIMENSIONS	SEE CHART	MATERIAL NO.	DOCUMENT NO.	SHEET NO.	
			SIZE D	THIS DRAWING CONTAINS INFORMATION THAT IS PROPRIETARY TO MOLEX INCORPORATED AND SHOULD NOT BE USED WITHOUT WRITTEN PERMISSION			

DIMENSIONAL CHART FOR MULTIBAY CONFIGURATION:

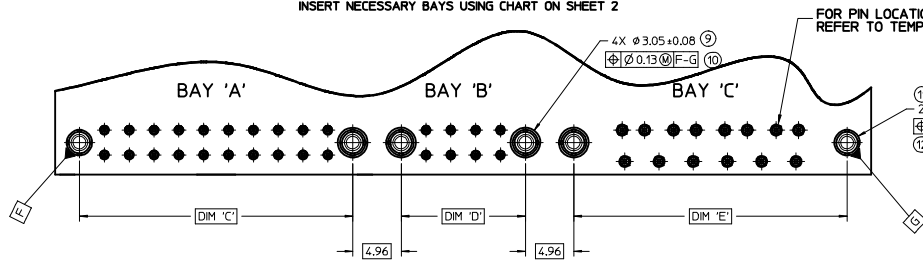
3 BAY PART NUMBER (TUBE PKG)	3 BAY PART NUMBER (TRAY PKG)	BAY A			BAY B			BAY C			DIM 'A'	DIM 'B'	DIM 'C'	DIM 'D'	DIM 'E'
		CKT	TYPE	POL	CKT	TYPE	POL	CKT	TYPE	POL					
TBD	34708-3000	16	0.64mm	B	16	0.64mm	A	12	0.64mm	B	79.52	77.05	22.86	22.86	17.78
TBD	34708-3001	20	0.64mm	A	20	0.64mm	B	12	0.64mm	A	89.86	87.21	27.94	27.94	17.78
TBD	34708-3002	20	0.64mm	A	20	0.64mm	B	14	HYBRID	C	99.84	97.37	27.94	27.94	27.94
TBD	34708-3003	10	HYBRID	A	16	0.64mm	A	8	0.64mm	C	79.52	77.05	27.94	22.86	12.70
TBD	34708-3004	16	0.64mm	A	16	0.64mm	B	16	0.64mm	C	84.60	82.13	22.86	22.86	22.86
TBD	34708-3006	20	0.64mm	D	20	0.64mm	B	20	0.64mm	C	99.84	97.37	27.94	27.94	27.94
TBD	34708-3007	20	0.64mm	A	12	0.64mm	A	20	0.64mm	D	89.68	87.21	27.94	17.78	27.94
34708-8010	34708-3010	20	0.64mm	A	20	0.64mm	B	16	0.64mm	A	94.76	92.29	27.94	27.94	22.86
TBD	34708-3020	10	HYBRID	A	20	0.64mm	B	20	0.64mm	C	99.84	97.37	27.94	27.94	27.94
TBD	34708-3021	10	HYBRID	A	20	0.64mm	C	20	0.64mm	D	99.84	97.37	27.94	27.94	27.94
TBD	34708-3022	20	0.64mm	B	16	0.64mm	C	10	HYBRID	A	94.76	92.29	27.94	22.86	27.94
TBD	34708-3030	16	0.64mm	A	12	0.64mm	A	10	HYBRID	A	84.60	82.13	22.86	17.78	27.94
TBD	34708-3040	20	0.64mm	A	8	0.64mm	A	10	HYBRID	A	84.60	82.13	27.94	12.70	27.94
TBD	34708-3050	10	HYBRID	A	16	0.64mm	B	16	0.64mm	C	89.68	87.21	27.94	22.86	22.86
TBD	34708-3060	16	0.64mm	A	20	0.64mm	C	20	0.64mm	D	94.76	92.29	22.86	27.94	27.94
34708-8070	34708-3070	20	0.64mm	A	20	0.64mm	B	10	HYBRID	A	99.84	97.37	27.94	27.94	27.94
TBD	34708-3071	20	0.64mm	A	10	HYBRID	A	10	HYBRID	B	99.84	97.37	27.94	27.94	27.94
TBD	34708-3080	12	0.64mm	A	12	0.64mm	B	16	0.64mm	A	74.44	71.97	17.78	17.78	22.86
TBD	34708-3081	20	0.64mm	D	12	0.64mm	B	20	0.64mm	C	89.68	87.21	27.94	17.78	27.94
TBD	34708-3082	12	0.64mm	C	8	0.64mm	A	8	0.64mm	B	59.20	56.73	17.78	12.70	12.70
TBD	34708-3083	8	0.64mm	C	16	0.64mm	B	16	0.64mm	C	74.44	71.97	12.70	22.86	22.86
TBD	34708-3084	16	0.64mm	A	8	0.64mm	A	8	0.64mm	B	64.28	61.81	22.86	12.70	12.70
TBD	34708-3085	20	0.64mm	A	20	0.64mm	B	20	0.64mm	C	99.84	97.37	27.94	27.94	27.94
TBD	34708-3086	20	0.64mm	A	20	0.64mm	B	8	0.64mm	A	84.60	82.13	27.94	27.94	12.70
TBD	34708-3087	20	0.64mm	A	16	0.64mm	A	8	0.64mm	A	79.52	77.05	27.94	22.86	12.70
TBD	34708-3088	12	0.64mm	A	16	0.64mm	A	12	0.64mm	B	74.44	71.97	17.78	22.86	17.78
TBD	34708-3089	16	0.64mm	A	16	0.64mm	A	20	0.64mm	A	89.68	87.21	22.86	22.86	27.94
TBD	34708-3090	16	0.64mm	C	16	0.64mm	A	8	0.64mm	B	74.44	71.97	22.86	22.86	12.70
TBD	34708-3091	20	0.64mm	C	12	0.64mm	C	16	0.64mm	B	84.60	82.13	27.94	17.78	22.86
TBD	34708-3092	12	0.64mm	B	8	0.64mm	C	20	0.64mm	D	74.44	71.97	17.78	12.70	27.94
TBD	34708-3093	16	0.64mm	B	16	0.64mm	A	8	0.64mm	A	74.44	71.97	22.86	22.86	12.70
TBD	34708-3094	20	0.64mm	D	20	0.64mm	B	8	0.64mm	A	84.60	82.13	27.94	27.94	12.70
TBD	34708-3095	20	0.64mm	A	16	0.64mm	C	12	0.64mm	B	84.60	82.13	27.94	22.86	17.78
TBD	34708-3096	16	0.64mm	A	16	0.64mm	B	20	0.64mm	C	89.68	87.21	22.86	22.86	27.94
TBD	34708-3097	16	0.64mm	C	12	0.64mm	B	20	0.64mm	A	84.60	82.13	22.86	17.78	27.94
TBD	34708-3098	20	0.64mm	B	20	0.64mm	C	20	0.64mm	D	99.84	97.37	27.94	27.94	27.94
TBD	34708-3099	10	HYBRID	A	20	0.64mm	D	10	HYBRID	B	99.84	97.37	27.94	27.94	27.94

RELEASED EC NO. UAU207-0095 DRAWN BY FISHER01 2016/08/01 CHKD: APPR:RBALMAN 2016/08/03 REV:	QUALITY SYMBOLS	GENERAL TOLERANCES (UNLESS SPECIFIED)	DIMENSION STYLE	SCALE	DESIGN UNITS	THIRD ANGLE PROJECTION
	▽=0	mm INCH	MM ONLY	4:1	METRIC	☉
	▽=0	4 PLACES ± --- ± ---	DRAWN BY	DATE	TITLE	
	▽=0	3 PLACES ± --- ± ---	VDANIELE	9/05/2008	3-BAY STAC64 RIGHT ANGLE HEADER ASSEMBLY SALES DRAWING	
	2 PLACES ± 0.13 ± ---	CHECKED BY	DATE	MOLEX INCORPORATED		
	1 PLACE ± 0.25 ± ---	APPROVED BY	DATE	SD-34708-300		
	ANGULAR ± 1°	SMARCEAU	2010/10/20	SHEET NO. 2 OF 5		
		DRAFT WHERE APPLICABLE MUST REMAIN WITHIN DIMENSIONS	MATERIAL NO.	DOCUMENT NO.		
			SEE CHART	THIS DRAWING CONTAINS INFORMATION THAT IS PROPRIETARY TO MOLEX INCORPORATED AND SHOULD NOT BE USED WITHOUT WRITTEN PERMISSION		



FOR DIM G:	
8-20CKT 0.64mm	18.40 MAX
10/14CKT Hybrid	18.59 MAX

RECOMMENDED PCB LAYOUT
 INSERT NECESSARY BAYS USING CHART ON SHEET 2

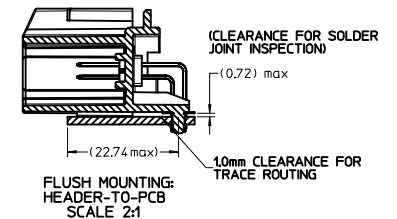


FOR PIN LOCATION, REFER TO TEMPLATES ON SHEET 5

POST HOLE TABLE:

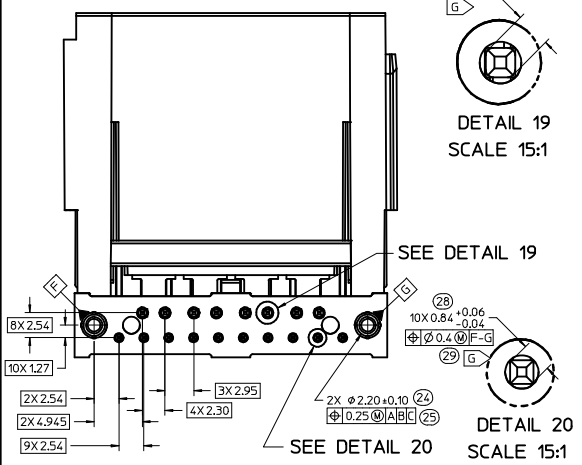
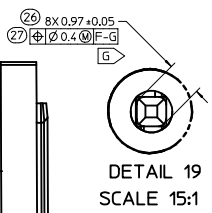
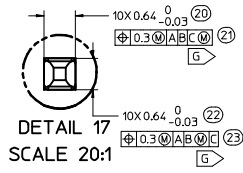
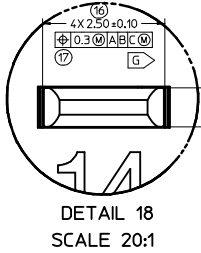
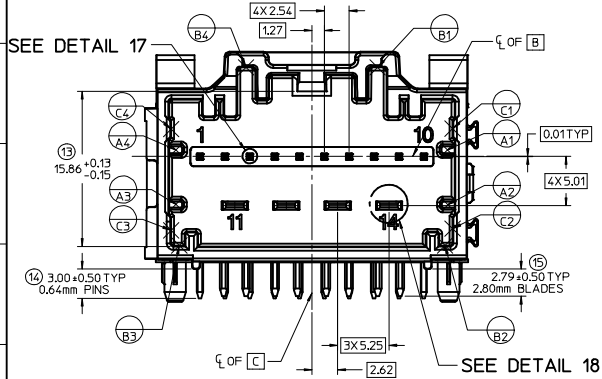
FOR DIM Z:	
PRESS FIT:	2.60
DROP IN:	3.05

ALL CIRCUIT SIZES

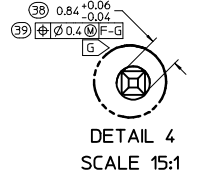
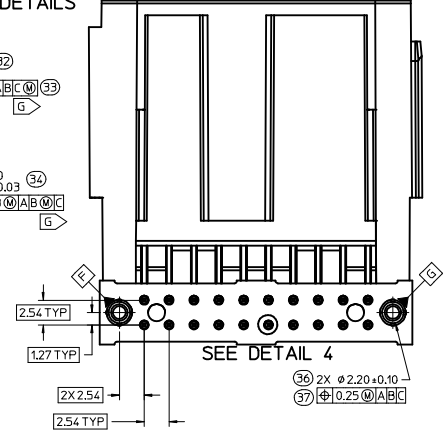
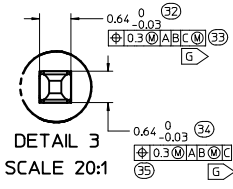
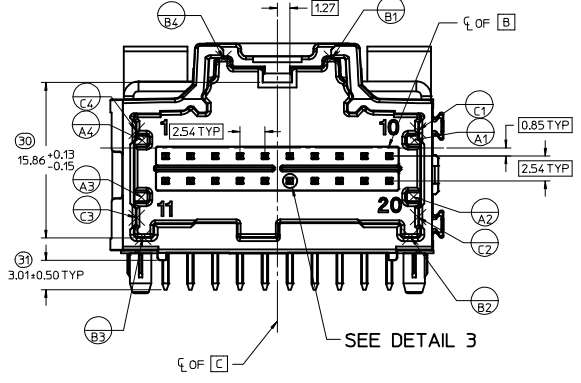


RELEASED DEC NO: UAU2017-0095 DRAWN: FTSCHERO1 2016/08/01 CHKD: APPR: RBALMAN 2016/08/03 REV: U6	QUALITY SYMBOLS ▽=0 ▽=0	GENERAL TOLERANCES (UNLESS SPECIFIED) <table border="1"> <thead> <tr> <th></th> <th>mm</th> <th>INCH</th> </tr> </thead> <tbody> <tr> <td>4 PLACES</td> <td>±0.13</td> <td>±0.005</td> </tr> <tr> <td>3 PLACES</td> <td>±0.25</td> <td>±0.010</td> </tr> <tr> <td>2 PLACES</td> <td>±0.50</td> <td>±0.020</td> </tr> <tr> <td>1 PLACE</td> <td>±1.00</td> <td>±0.040</td> </tr> </tbody> </table>		mm	INCH	4 PLACES	±0.13	±0.005	3 PLACES	±0.25	±0.010	2 PLACES	±0.50	±0.020	1 PLACE	±1.00	±0.040	DIMENSION STYLE MM ONLY	SCALE 4:1	DESIGN UNITS METRIC	THIRD ANGLE PROJECTION
		mm	INCH																		
	4 PLACES	±0.13	±0.005																		
	3 PLACES	±0.25	±0.010																		
2 PLACES	±0.50	±0.020																			
1 PLACE	±1.00	±0.040																			
DESCRIPTION 3-BAY STAC64 RIGHT ANGLE HEADER ASSEMBLY SALES DRAWING	DRAWN BY VDANIELE	DATE 9/05/2008	TITLE 3-BAY STAC64 RIGHT ANGLE HEADER ASSEMBLY SALES DRAWING	MOLEX INCORPORATED																	
DRAFT WHERE APPLICABLE MUST REMAIN WITHIN DIMENSIONS	APPROVED BY SMARCEAU	DATE 2010/10/20	SEE CHART	DOCUMENT NO. SD-34708-300	SHEET NO. 3 OF 5	THIS DRAWING CONTAINS INFORMATION THAT IS PROPRIETARY TO MOLEX INCORPORATED AND SHOULD NOT BE USED WITHOUT WRITTEN PERMISSION															

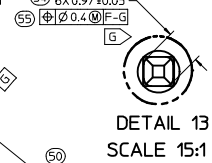
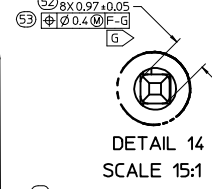
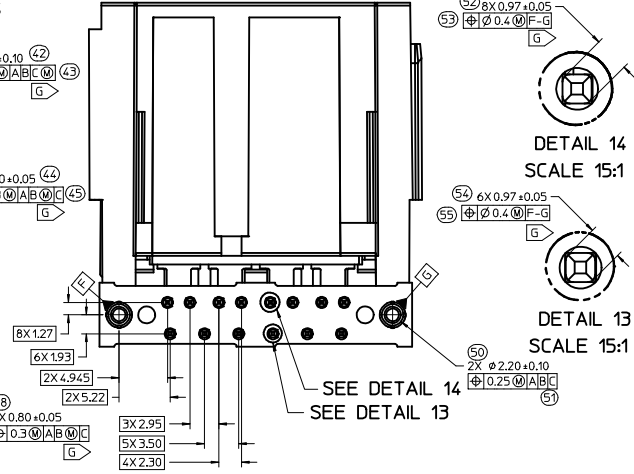
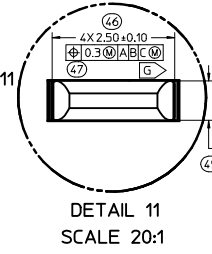
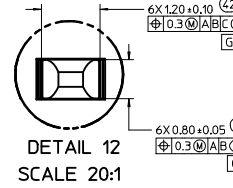
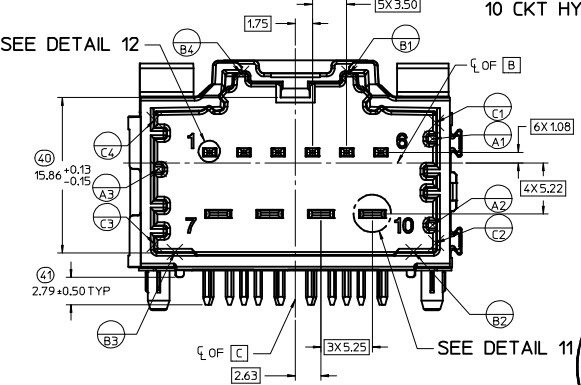
14CKT STAC HYBRID HEADER DETAILS



8-20 CKT 0.64mm HEADER DETAILS

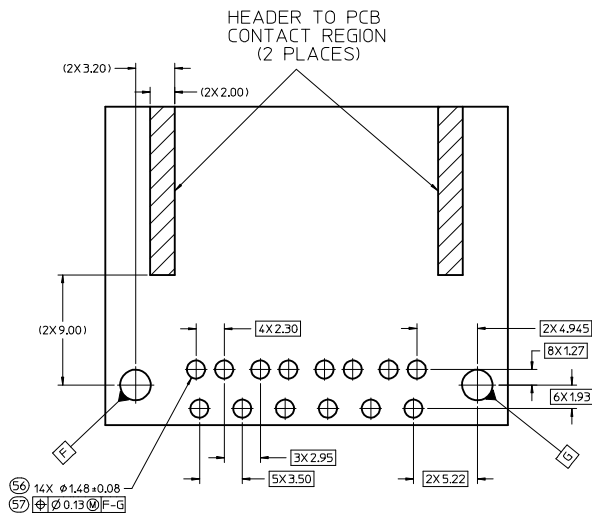


10 CKT HYBRID HEADER DETAILS

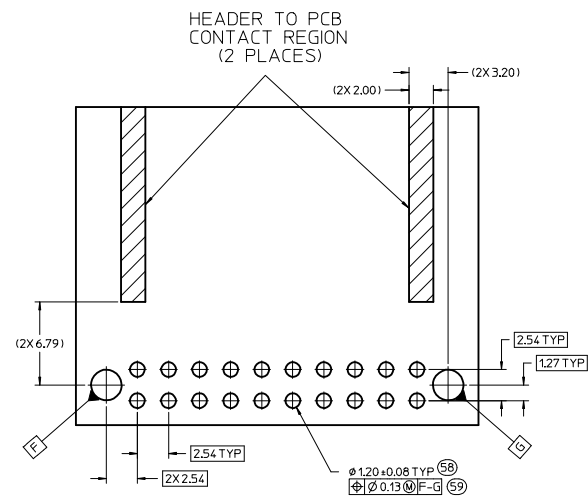


ENTER DESCRIPTION EEC NO. UAU2017-0095 DRAWN BY FISCHER01 2016/08/01 CHKD: APPR:RRALMAN 2016/08/03 REV U6	QUALITY SYMBOLS	GENERAL TOLERANCES (UNLESS SPECIFIED)	DIMENSION STYLE	SCALE	DESIGN UNITS	THIRD ANGLE PROJECTION
	▽=0	mm INCH	MM ONLY	4:1	METRIC	⊕
	▽=0	4 PLACES ± --- ± ---	DRAWN BY DATE	TITLE		
	▽=0	3 PLACES ± --- ± ---	YDANIELE 9/05/2008	3-BAY STAC64 RIGHT ANGLE HEADER ASSEMBLY SALES DRAWING		
	2 PLACES ± 0.13 ± ---	CHECKED BY DATE	MATERIAL NO. DOCUMENT NO.			SHEET NO.
	1 PLACE ± 0.25 ± ---	CDILLON 9/05/2008	SEE CHART			4 OF 5
	0 PLACE ± --- ± ---	APPROVED BY DATE	SD-34708-300			
		SMARCEAU 2010/10/20	THIS DRAWING CONTAINS INFORMATION THAT IS PROPRIETARY TO MOLEX INCORPORATED AND SHOULD NOT BE USED WITHOUT WRITTEN PERMISSION			

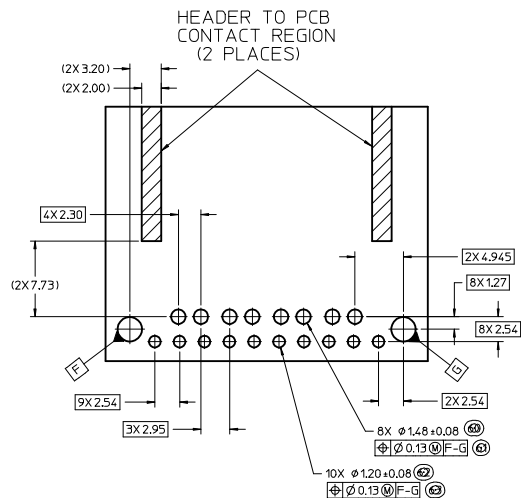
10 CKT HYBRID TEMPLATE PCB LAYOUT



8-20 CKT 0.64mm TEMPLATE PCB LAYOUT

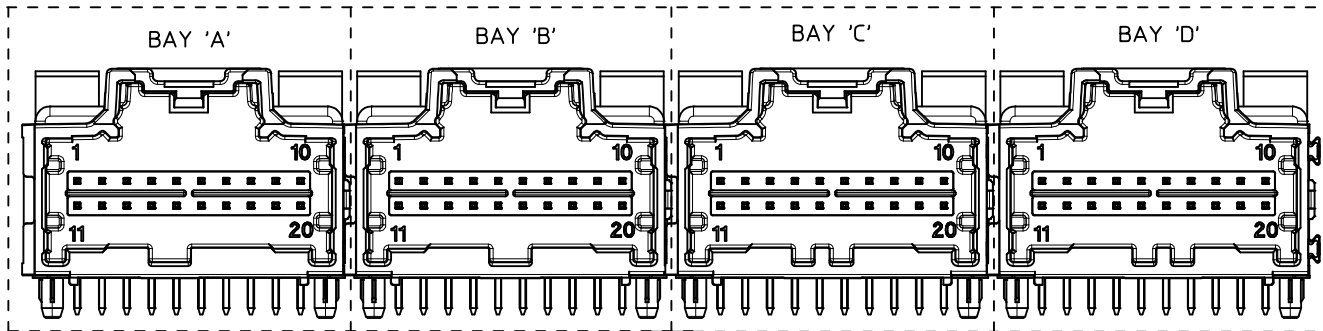


14 CKT HYBRID TEMPLATE PCB LAYOUT



ENTER DESCRIPTION ELEC NO: UAU2017-0095 DRAWN: FISCHER01 2016/08/01 CHKD: APPR: BRALMAN 2016/08/03 REV:	QUALITY SYMBOLS	GENERAL TOLERANCES (UNLESS SPECIFIED)	DIMENSION STYLE	SCALE	DESIGN UNITS	THIRD ANGLE PROJECTION	
	$\nabla=0$ $\nabla=0$ $\nabla=0$	mm INCH 4 PLACES ± --- ± --- 3 PLACES ± --- ± --- 2 PLACES ± 0.13 ± --- 1 PLACE ± 0.25 ± --- 0 PLACE ± --- ± ---	MM ONLY	5:1	METRIC	DRAWN BY: VDANIELE 9/05/2008 CHECKED BY: CDILLON 9/05/2008 APPROVED BY: SMARCEAU 2010/10/20	TITLE: 3-BAY STAC64 RIGHT ANGLE HEADER ASSEMBLY SALES DRAWING DOCUMENT NO: SD-34708-300
	ANGULAR ± 1 ° DRAFT WHERE APPLICABLE MUST REMAIN WITHIN DIMENSIONS	MATERIAL NO: SEE CHART	SIZE: D THIS DRAWING CONTAINS INFORMATION THAT IS PROPRIETARY TO MOLEX INCORPORATED AND SHOULD NOT BE USED WITHOUT WRITTEN PERMISSION	SHEET NO: 5 OF 5			
	U6						

4 BAY STAC64 RIGHT ANGLE HEADER ASSEMBLY
(P/N: 34708-4000 SHOWN)



NOTES: VALID UNLESS OTHERWISE SPECIFIED
1. GENERAL:

a. CONNECTOR HEADER MUST BE VALIDATED TO THE FOLLOWING FUNCTIONAL REQUIREMENTS:

PRODUCT SPECIFICATION:
8-20 CKT 0.64 PRODUCT SPEC: PS-34729-020/PS-31408-100
10/14 CKT HYBRID PRODUCT SPEC: PS-31572-100

b. APPLICATION REQUIREMENTS (REFERENCE ONLY):

APPLICATION SPECIFICATION: AS-34729-020/AS-31408-100

c. PACKAGING SPECIFICATION PER MOLEX DRAWING PK-31900-892 (TRAY)

d. PACKAGING SPECIFICATION PER MOLEX DRAWING PK-31901-063 (TUBE)

e. PACKAGING SPECIFICATION PER MOLEX DRAWING PK-31900-894 (ALT TRAY)

2. DESIGN: MATERIALS:

a. SHROUD (PLASTIC HOUSING):
RESIN - SPS 30%GF

b. 0.64mm PINS:
BASE MATERIAL: C26000
PLATING TYPE: AS NOTED

150/2.80mm BLADES:
BASE MATERIAL: C19400
PLATING TYPE: AS NOTED

3. PLATING REQUIREMENTS:

a. UNDERPLATING - OVERALL NICKEL

b. OVERPLATING - OVERALL TIN

4. FOR DESCRIPTION OF INDIVIDUAL BAYS, REFER TO THE FOLLOWING

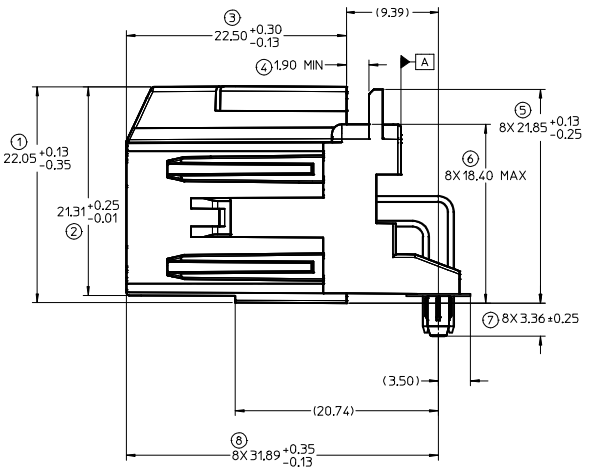
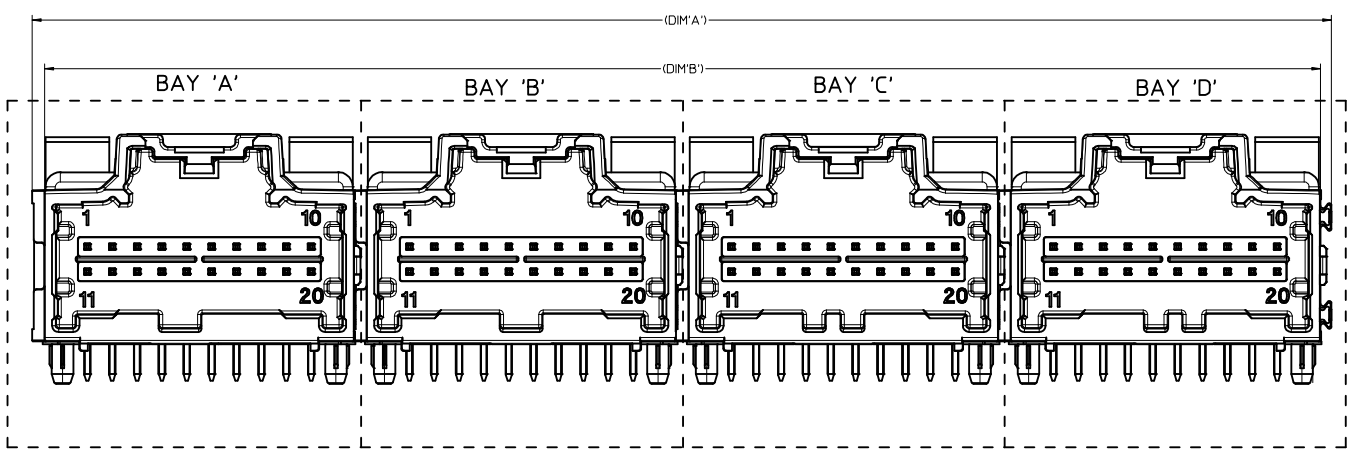
SINGLE BAY DRAWINGS:
8-20 CKT 0.64: SD-34691-100
10 CKT HYBRID: SD-34696-100
14 CKT HYBRID: SD-34773-100

RELEASED IEC NO: UAU2017-0095 DRAWN: FISCHER01 2016/08/01 CHKD: 05 APPR: RBALMAN 2016/08/03 REV:	QUALITY SYMBOLS	GENERAL TOLERANCES (UNLESS SPECIFIED)	DIMENSION STYLE	SCALE	DESIGN UNITS	THIRD ANGLE PROJECTION
	▼=0 ▽=0	mm INCH 4 PLACES ± --- ± --- 3 PLACES ± --- ± --- 2 PLACES ± 0.13 ± --- 1 PLACE ± 0.25 ± --- ANGULAR ± 1°	MM ONLY DRAWN BY: VDANIELE DATE: 9/05/2008 CHECKED BY: CDILLON DATE: 9/05/2008 APPROVED BY: SMARCEAU DATE: 2010/10/20	4:1	METRIC	TITLE: 4-BAY STAC64 RIGHT ANGLE HEADER ASSEMBLY SALES DRAWING MOLEX MOLEX INCORPORATED
	DRAFT WHERE APPLICABLE MUST REMAIN WITHIN DIMENSIONS	MATERIAL NO: SEE CHART DOCUMENT NO: SD-34708-400	SHEET NO: 1 OF 5			

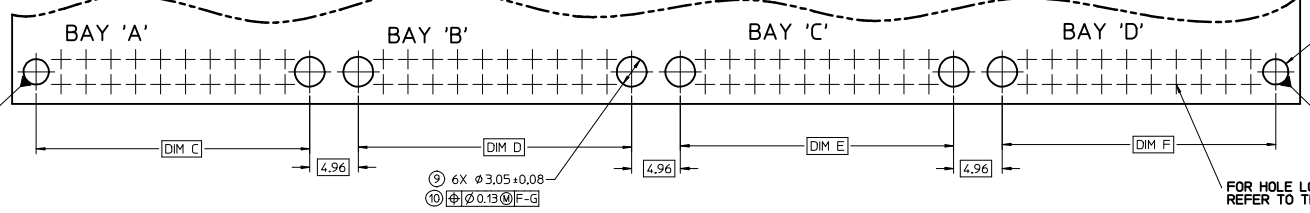
DIMENSIONAL CHART FOR MULTIBAY CONFIGURATION:

4 BAY PART NUMBER (ALT TRAY)	4 BAY PART NUMBER (TUBE PKG)	4 BAY PART NUMBER (TRAY PKG)	BAY A			BAY B			BAY C			BAY D			DIM 'A'	DIM 'B'	DIM 'C'	DIM 'D'	DIM 'E'	DIM 'F'
			CKT	TYPE	POL	CKT	TYPE	POL	CKT	TYPE	POL	CKT	TYPE	POL						
TBD	34708-9000	34708-4000	20	0.64mm	A	20	0.64mm	B	20	0.64mm	C	20	0.64mm	D	132.74	130.27	27.94	27.94	27.94	27.94
TBD	TBD	34708-4010	12	0.64mm	A	12	0.64mm	B	16	0.64mm	A	8	0.64mm	A	92.10	89.63	17.78	17.78	22.86	12.70
TBD	TBD	34708-4020	16	0.64mm	B	8	0.64mm	B	16	0.64mm	C	12	0.64mm	C	97.18	94.71	22.86	12.70	22.86	17.78
TBD	TBD	34708-4030	16	0.64mm	A	20	0.64mm	A	12	0.64mm	A	20	0.64mm	B	117.50	115.03	22.86	27.94	17.78	27.94
TBD	TBD	34708-4040	20	0.64mm	B	12	0.64mm	A	20	0.64mm	A	12	0.64mm	C	112.42	109.95	27.94	17.78	27.94	17.78
TBD	TBD	34708-4050	20	0.64mm	A	16	0.64mm	A	8	0.64mm	A	10	HYBRID	A	112.42	109.95	27.94	22.86	12.70	27.94
TBD	TBD	34708-4060	20	0.64mm	C	20	0.64mm	A	20	0.64mm	B	12	0.64mm	A	122.58	120.11	27.94	27.94	27.94	17.78
TBD	TBD	34708-4070	12	0.64mm	A	20	0.64mm	D	20	0.64mm	C	20	0.64mm	A	122.58	120.11	17.78	27.94	27.94	27.94
TBD	TBD	34708-4080	20	0.64mm	B	8	0.64mm	A	20	0.64mm	A	12	0.64mm	A	107.34	104.87	27.94	12.70	27.94	17.78
TBD	TBD	34708-4090	12	0.64mm	A	20	0.64mm	A	20	0.64mm	B	20	0.64mm	C	122.58	120.11	17.78	27.94	27.94	27.94
TBD	TBD	34708-4011	16	0.64mm	B	16	0.64mm	A	8	0.64mm	A	10	HYBRID	A	107.34	104.87	22.86	22.86	12.70	27.94
TBD	TBD	34708-4012	8	0.64mm	B	20	0.64mm	D	12	0.64mm	A	12	0.64mm	C	97.18	94.71	12.70	27.94	17.78	17.78
TBD	34708-9013	34708-4013	16	0.64mm	A	20	0.64mm	B	20	0.64mm	C	20	0.64mm	D	127.66	125.19	22.86	27.94	27.94	27.94
TBD	TBD	34708-4014	8	0.64mm	A	20	0.64mm	C	20	0.64mm	B	10	HYBRID	A	117.50	115.03	12.70	27.94	27.94	27.94
TBD	34708-9015	34708-4015	20	0.64mm	A	20	0.64mm	B	20	0.64mm	C	8	0.64mm	A	117.50	115.03	27.94	27.94	27.94	12.70
TBD	34708-9016	34708-4016	20	0.64mm	A	20	0.64mm	B	20	0.64mm	C	12	0.64mm	A	122.58	120.11	27.94	27.94	27.94	17.78
TBD	TBD	34708-4017	20	0.64mm	D	20	0.64mm	A	20	0.64mm	B	20	0.64mm	C	132.74	130.27	27.94	27.94	27.94	27.94
TBD	TBD	34708-4018	20	0.64mm	C	20	0.64mm	A	20	0.64mm	B	16	0.64mm	A	127.66	125.19	27.94	27.94	27.94	22.86
34708-9519	TBD	34708-4019	10	HYBRID	A	16	0.64mm	C	12	0.64mm	B	20	0.64mm	A	117.50	115.03	27.94	22.86	17.78	27.94

RELEASED EC NO. UAU2017-0095 DRAWN BY FISHER01 2016/08/01 CHYKJ APPR:BRALMAN 2016/08/03 REV DESCRIPTION	QUALITY SYMBOLS	GENERAL TOLERANCES (UNLESS SPECIFIED)	DIMENSION STYLE	SCALE	DESIGN UNITS	THIRD ANGLE PROJECTION	
	▽=0	mm INCH	MM ONLY	4:1	METRIC	☉	
	▽=0	4 PLACES ± --- ± --- 3 PLACES ± --- ± --- 2 PLACES ± 0.13 ± --- 1 PLACE ± 0.25 ± ---	DRAWN BY DATE VDANIELE 9/05/2008 CHECKED BY DATE CDILLON 9/05/2008 APPROVED BY DATE SMARCEAU 2010/10/20	TITLE	4-BAY STAC64 RIGHT ANGLE HEADER ASSEMBLY SALES DRAWING		
	▽=0	ANGULAR ± 1°	MATERIAL NO. DOCUMENT NO.	MOLEX INCORPORATED			
DRAFT WHERE APPLICABLE MUST REMAIN WITHIN DIMENSIONS		SEE CHART	SD-34708-400		SHEET NO. 2 OF 5		
THIS DRAWING CONTAINS INFORMATION THAT IS PROPRIETARY TO MOLEX INCORPORATED AND SHOULD NOT BE USED WITHOUT WRITTEN PERMISSION							

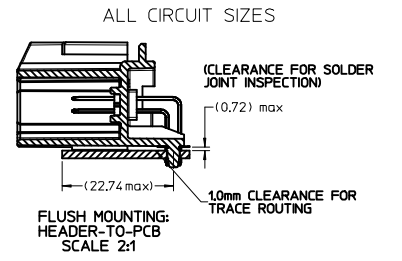


RECOMMENDED PCB LAYOUT
 INSERT NECESSARY BAYS USING CHART ON SHEET 2.



POST HOLE TABLE:
 FOR DIM E:

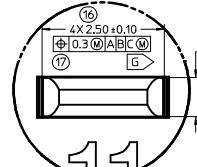
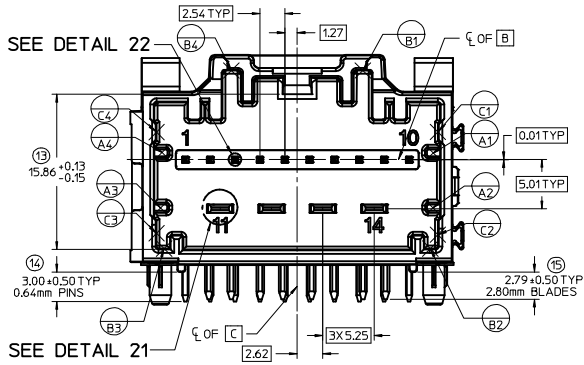
PRESS FIT:	2.60
DROP IN:	3.05



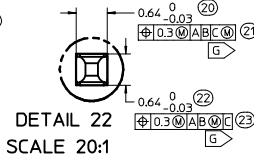
FOR HOLE LOCATION REFER TO TEMPLATES ON SHEET 5

RELEASED IEC NO. UAU2017-0095 DRAWN BY FISCHER01 2016/08/01 CHKD: APPR:RBALMAN 2016/08/03 REV: 05	QUALITY SYMBOLS	GENERAL TOLERANCES (UNLESS SPECIFIED)	DIMENSION STYLE	SCALE	DESIGN UNITS	THIRD ANGLE PROJECTION	
	▽=0 ▽=0	mm INCH 4 PLACES ± --- ± --- 3 PLACES ± --- ± --- 2 PLACES ± 0.13 ± --- 1 PLACE ± 0.25 ± --- ANGULAR ± 1 °	MM ONLY	4:1	METRIC	☉ THIRD ANGLE PROJECTION	
	DRAWN BY: MDANIELE 9/05/2008 CHECKED BY: CDILLON 9/05/2008 APPROVED BY: SMARCEAU 2010/10/20	TITLE: 4-BAY STAC64 RIGHT ANGLE HEADER ASSEMBLY SALES DRAWING		MATERIAL NO. SEE CHART		MOLEX INCORPORATED	
	DRAFT WHERE APPLICABLE MUST REMAIN WITHIN DIMENSIONS	SEE CHART		DOCUMENT NO. SD-34708-400		SHEET NO. 3 OF 5	

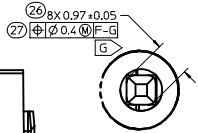
14CKT STAC HYBRID HEADER DETAILS



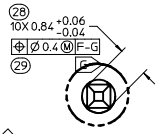
DETAIL 21
SCALE 20:1



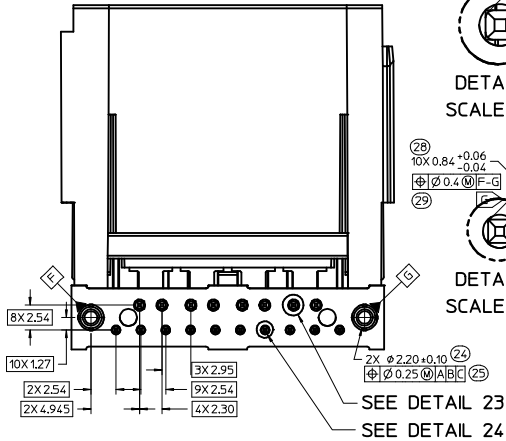
DETAIL 22
SCALE 20:1



DETAIL 23
SCALE 15:1

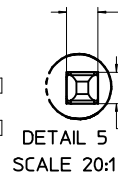
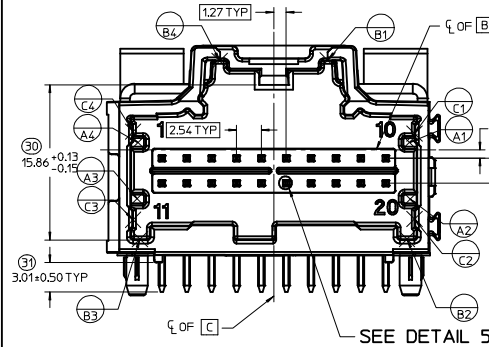


DETAIL 24
SCALE 15:1

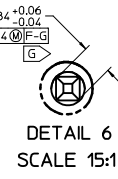
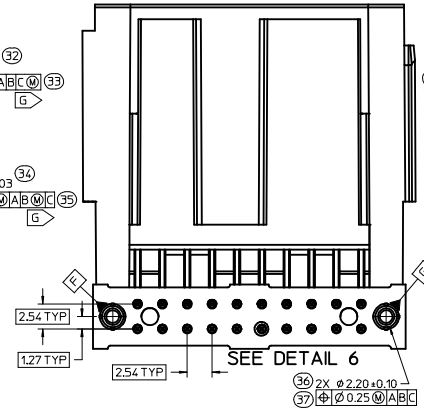


SEE DETAIL 23
SEE DETAIL 24

8-20CKT STAC 0.64mm HEADER DETAILS

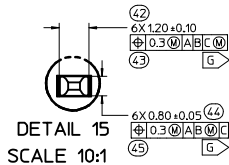
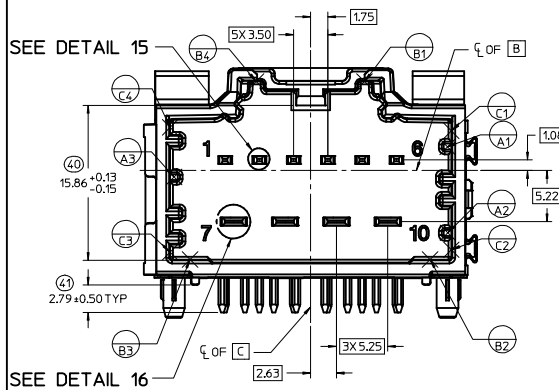


DETAIL 5
SCALE 20:1



DETAIL 6
SCALE 15:1

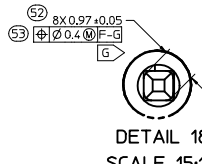
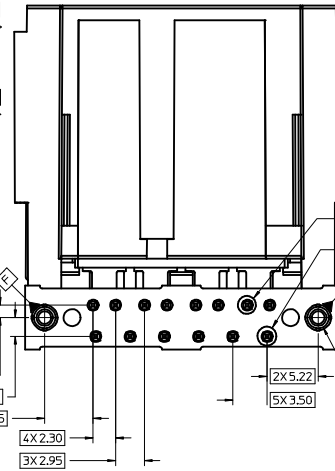
10CKT STAC HYBRID HEADER DETAILS



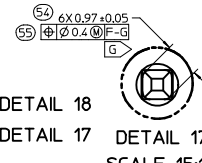
DETAIL 15
SCALE 10:1



DETAIL 16
SCALE 10:1



DETAIL 18
SCALE 15:1



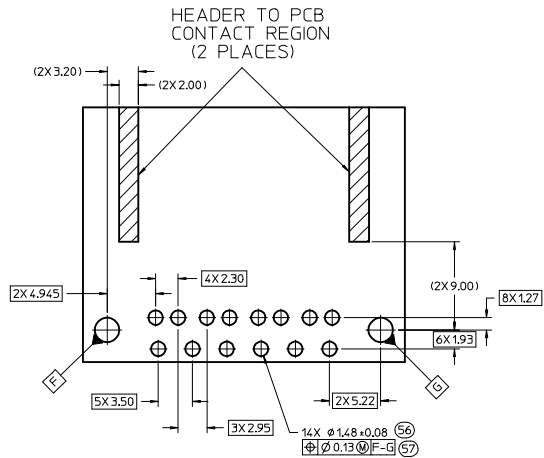
DETAIL 17
SCALE 15:1

SEE DETAIL 16

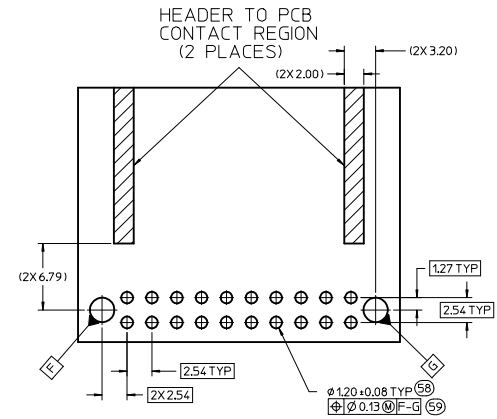
SEE DETAIL 18
SEE DETAIL 17

ENTER DESCRIPTION IEC NO. UAU2017-0095 DRAWN/FISCHER01 2016/08/01 CHKD: APPR:BRALMAN 2016/08/03 REV 05	QUALITY SYMBOLS	GENERAL TOLERANCES (UNLESS SPECIFIED)	DIMENSION STYLE	SCALE	DESIGN UNITS	THIRD ANGLE PROJECTION
	▽=0	mm INCH	MM ONLY	4:1	METRIC	☉
	▽=0	4 PLACES ± --- ± ---	DRAWN BY	DATE	TITLE	
	▽=0	3 PLACES ± 0.13 ± ---	YDANIELE 9/05/2008	9/05/2008	4-BAY STAC64 RIGHT ANGLE HEADER ASSEMBLY SALES DRAWING	
▽=0	2 PLACES ± 0.25 ± ---	CHECKED BY	DATE	APPROVED BY		MATERIAL NO. DOCUMENT NO. SHEET NO. SEE CHART SD-34708-400 4 OF 5
▽=0	1 PLACE ± --- ± ---	CDILLON 9/05/2008	DATE	SMARCEAU 2010/10/20		
▽=0	0 PLACE ± --- ± ---	ANGULAR ± 1°	THIS DRAWING CONTAINS INFORMATION THAT IS PROPRIETARY TO MOLEX INCORPORATED AND SHOULD NOT BE USED WITHOUT WRITTEN PERMISSION			

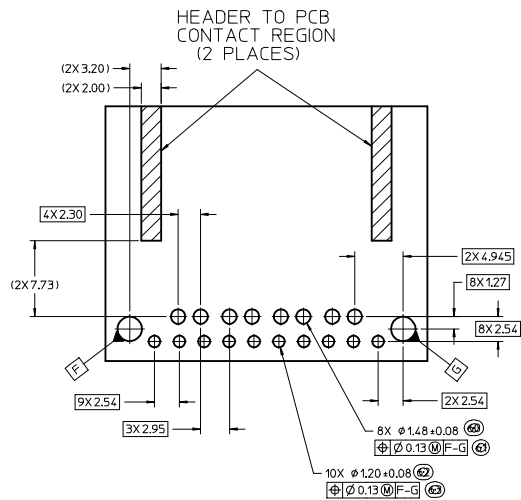
10 CKT HYBRID TEMPLATE
PCB LAYOUT



8-20CKT 0.64mm TEMPLATE
PCB LAYOUT

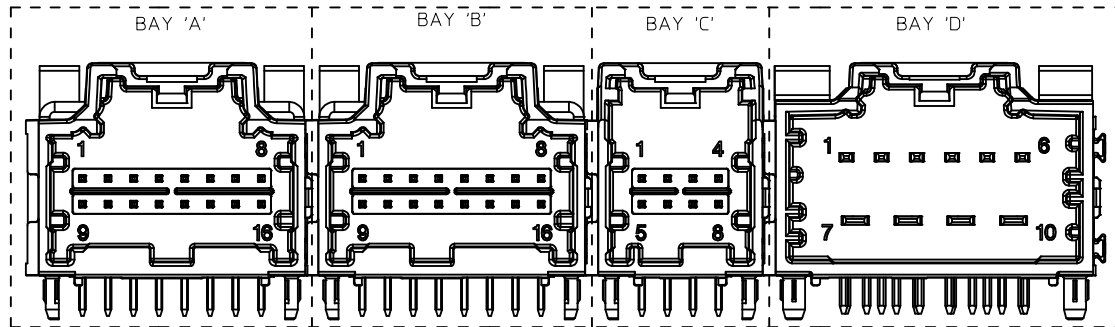


14 CKT HYBRID TEMPLATE
PCB LAYOUT



ENTER DESCRIPTION IEC NO: UAU2017-0095 CHYK: APPR:RBALMAN 2016/08/03 REV 05	QUALITY SYMBOLS ▽=0 ▽=0 ▽=0		GENERAL TOLERANCES (UNLESS SPECIFIED) <table border="1"> <thead> <tr> <th></th> <th>mm</th> <th>INCH</th> </tr> </thead> <tbody> <tr> <td>4 PLACES</td> <td>±---</td> <td>±---</td> </tr> <tr> <td>3 PLACES</td> <td>±---</td> <td>±---</td> </tr> <tr> <td>2 PLACES</td> <td>± 0.13</td> <td>±---</td> </tr> <tr> <td>1 PLACE</td> <td>± 0.25</td> <td>±---</td> </tr> <tr> <td>0 PLACE</td> <td>±---</td> <td>±---</td> </tr> </tbody> </table>			mm	INCH	4 PLACES	±---	±---	3 PLACES	±---	±---	2 PLACES	± 0.13	±---	1 PLACE	± 0.25	±---	0 PLACE	±---	±---	DIMENSION STYLE MM ONLY		SCALE 4:1		DESIGN UNITS METRIC		THIRD ANGLE PROJECTION	
		mm	INCH																											
	4 PLACES	±---	±---																											
	3 PLACES	±---	±---																											
2 PLACES	± 0.13	±---																												
1 PLACE	± 0.25	±---																												
0 PLACE	±---	±---																												
DRAFT WHERE APPLICABLE MUST REMAIN WITHIN DIMENSIONS			ANGULAR ± 1 °		DRAWN BY: YDANIELE DATE: 9/05/2008 CHECKED BY: DATE: CDILLON 9/05/2008 APPROVED BY: DATE: SMARCEAU 2010/10/20		MATERIAL NO: 9999999999		DOCUMENT NO: SD-34708-400																					
THIS DRAWING CONTAINS INFORMATION THAT IS PROPRIETARY TO MOLEX INCORPORATED AND SHOULD NOT BE USED WITHOUT WRITTEN PERMISSION										SHEET NO: 5 OF 5																				

4 BAY STAC64 RIGHT ANGLE PAP HEADER ASSEMBLY
(P/N: 34997-4000 SHOWN)



NOTES: VALID UNLESS OTHERWISE SPECIFIED
1. GENERAL:

a. CONNECTOR HEADER MUST BE VALIDATED TO THE FOLLOWING FUNCTIONAL REQUIREMENTS:

PRODUCTS SPECIFICATION:
8-20 CKT 0.64 PRODUCT SPEC: PS-34729-020/PS-31408-100
10/14CKT CKT HYBRID PRODUCT SPEC: PS-31372-100

b. APPLICATION REQUIREMENTS (REFERENCE ONLY):

APPLICATION SPECIFICATION: AS-34729-020/AS-31408-100

c. PACKAGING SPECIFICATION PER MOLEX DRAWING PK-31300-892 (TRAY)
d. PACKAGING SPECIFICATION PER MOLEX DRAWING PK-31301-063 (TUBE)

2. DESIGN: MATERIALS

a. SHROUD (PLASTIC HOUSING)
RESIN - SPS 30%GF

b. 0.64mm PINS:
BASE MATERIAL: C26000
PLATING TYPE: AS NOTED

1.50mm/2.80mm BLADES:
BASE MATERIAL: C19400
PLATING TYPE: AS NOTED

3. PLATING REQUIREMENTS:

a. UNDERPLATING - OVERALL NICKEL

b. OVERPLATING - OVERALL TIN

4. FOR DESCRIPTION OF INDIVIDUAL BAYS, REFER TO THE FOLLOWING SINGLE BAY DRAWINGS:

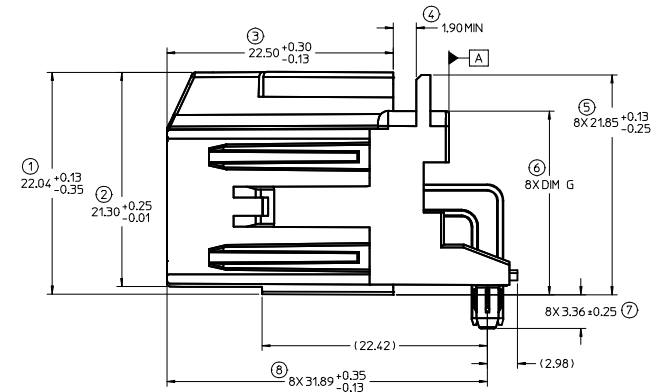
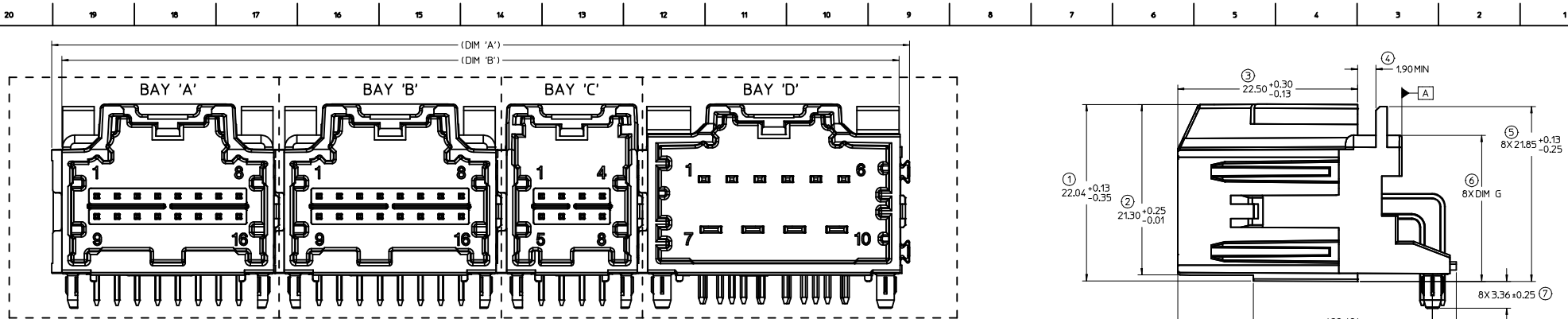
8-20 CKT 0.64: SD-34691-601
10CKT HYBRID: SD-34696-100
14CKT HYBRID: SD-34773-010

INITIAL RELEASE EC NO: 0402017-0095 DRAWN BY: FISCHER01 2016/08/01 CHKD: APPR: RBAUMAN 2016/08/03	QUALITY SYMBOLS	GENERAL TOLERANCES (UNLESS SPECIFIED)	DIMENSION STYLE MM ONLY	SCALE 4:1	DESIGN UNITS METRIC	THIRD ANGLE PROJECTION
	▽=0	4 PLACES ± --- ± --- 3 PLACES ± --- ± --- 2 PLACES ± 0.13 ± --- 1 PLACE ± 0.25 ± --- 0 PLACE ± --- ± ---	m INCH	DRAWN BY DATE JFISCHER01 2013/05/31	TITLE STAC64 4-BAY PAP R/A LONG PIN HEADER ASSEMBLY SALES DRAWING	
	▽=0	ANGULAR ± 1 °	CHECKED BY DATE	APPROVED BY DATE RBAUMAN 2013/06/04	DOCUMENT NO. SD-34997-400	
	▽=0	DRAFT WHERE APPLICABLE MUST REMAIN WITHIN DIMENSIONS	SEE CHART	MATERIAL NO.	SHEET NO. 1 OF 5	

DIMENSIONAL CHART FOR MULTIBAY CONFIGURATION:

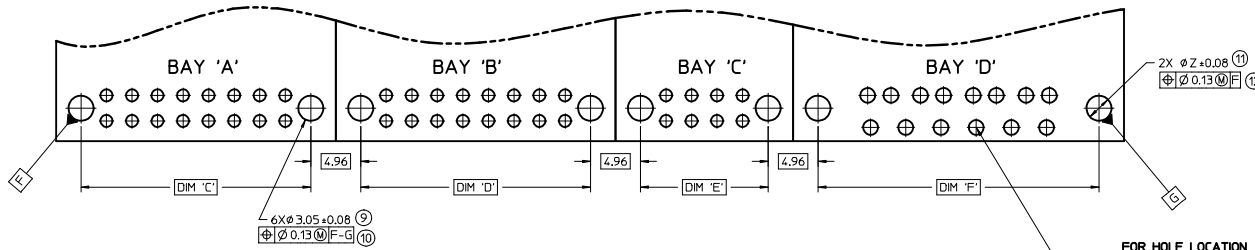
4 BAY PART NUMBER (TUBE PKG)	4 BAY PART NUMBER (TRAY PKG)	BAY A			BAY B			BAY C			BAY D			DIM 'A'	DIM 'B'	DIM 'C'	DIM 'D'	DIM 'E'	DIM 'F'
		CKT	TYPE	POL	CKT	TYPE	POL	CKT	TYPE	POL	CKT	TYPE	POL						
TBD	34997-4000	16	0.64mm	B	16	0.64mm	A	8	0.64mm	A	10	HYBRID	A	107.34	104.87	22.86	22.86	12.70	27.94
TBD	34997-4001	8	0.64mm	A	20	0.64mm	C	20	0.64mm	B	10	HYBRID	A	117.50	115.03	12.70	27.94	27.94	27.94
TBD	34997-4002	20	0.64mm	A	20	0.64mm	B	20	0.64mm	C	20	0.64mm	D	132.74	130.27	27.94	27.94	27.94	27.94
TBD	34997-4003	20	0.64mm	A	20	0.64mm	B	20	0.64mm	C	10	HYBRID	A	132.74	130.27	27.94	27.94	27.94	27.94
TBD	34997-4004	12	0.64mm	A	12	0.64mm	B	16	0.64mm	A	16	0.64mm	B	102.26	99.79	17.78	17.78	22.86	22.86

INITIAL RELEASE EC NO: UA0207-0095 DRAWN: FISCHER01 2016/08/04 CHKD: APPR: RBAUMAN 2016/08/03 REV:	QUALITY SYMBOLS	GENERAL TOLERANCES (UNLESS SPECIFIED)	DIMENSION STYLE	SCALE	DESIGN UNITS	THIRD ANGLE PROJECTION
	▽=0	mm INCH	MM ONLY	4:1	METRIC	
	▽=0	4 PLACES ± --- ± ---	DRAWN BY DATE	TITLE		
	▽=0	3 PLACES ± --- ± ---	JFISCHER01 2013/05/31	STAC64 4-BAY PAP R/A LONG PIN HEADER ASSEMBLY SALES DRAWING		
▽=0	2 PLACES ± 0.13 ± ---	CHECKED BY DATE	moLEX			
	1 PLACE ± 0.25 ± ---	APPROVED BY DATE	DOCUMENT NO.			
	0 PLACE ± --- ± ---	RBAUMAN 2013/06/04	SD-34997-400			
	ANGULAR ± 1°	MATERIAL NO.	SHEET NO.			
	DRAFT WHERE APPLICABLE MUST REMAIN WITHIN DIMENSIONS	SEE CHART	2 OF 5			
		SIZE 1	THIS DRAWING CONTAINS INFORMATION THAT IS PROPRIETARY TO MOLEX INCORPORATED AND SHOULD NOT BE USED WITHOUT WRITTEN PERMISSION			



FOR DIM G:		
8-20CKT	0.64mm	18.40 MAX
10/14CKT	Hybrid	18.59 MAX

RECOMMENDED PCB LAYOUT
INSERT NECESSARY BAYS USING CHART ON SHEET 2

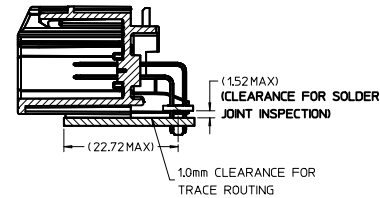


POST HOLE TABLE:

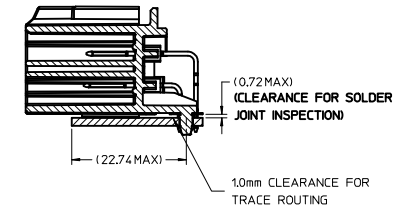
FOR DIM Z:	
PRESS FIT:	2.60
DROP IN:	3.05

FOR HOLE LOCATION
REFER TO TEMPLATE ON SHEET 5

8-20CKT 0.64mm



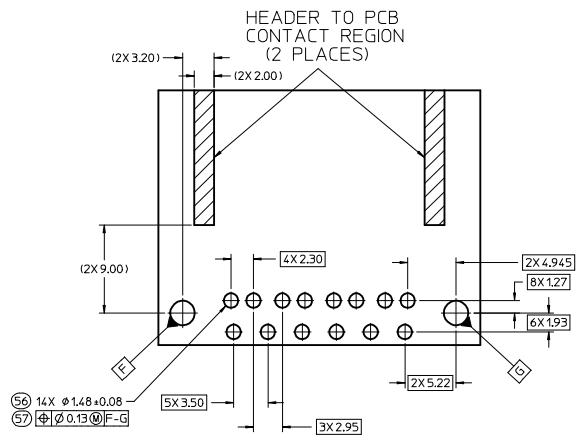
10/14CKT HYBRID



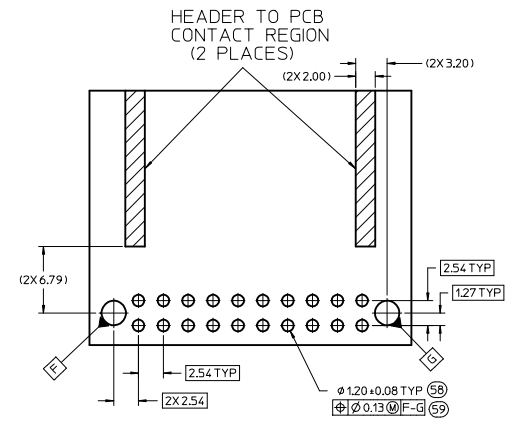
FLUSH MOUNTING:
HEADER-TO-PCB
SCALE 2:1

INITIAL RELEASE EC NO: 0A0207-0095 DRAWN: FISCHER01 2016/08/01 CHKD: APPR: RBAUMAN 2016/08/03	QUALITY SYMBOLS	GENERAL TOLERANCES (UNLESS SPECIFIED)	DIMENSION STYLE MM ONLY	SCALE 4:1	DESIGN UNITS METRIC	THIRD ANGLE PROJECTION
	▽=0	4 PLACES ± --- ± ---	mm	DRAWN BY JFISCHER01	DATE 2013/05/31	TITLE STAC64 4-BAY PAP R/A LONG PIN HEADER ASSEMBLY SALES DRAWING
	▽=0	3 PLACES ± --- ± ---	INCH	CHECKED BY	DATE	molex
	▽=0	2 PLACES ± 0.13 ± ---		APPROVED BY RBAUMAN	DATE 2013/06/04	
	1 PLACE ± 0.25 ± ---	ANGULAR ± 1°		MATERIAL NO.	DOCUMENT NO. SD-34997-400	SHEET NO. 3 OF 5
	0 PLACE ± --- ± ---	DRAFT WHERE APPLICABLE MUST REMAIN WITHIN DIMENSIONS	SEE CHART	SIZE A1	THIS DRAWING CONTAINS INFORMATION THAT IS PROPRIETARY TO MOLEX INCORPORATED AND SHOULD NOT BE USED WITHOUT WRITTEN PERMISSION	

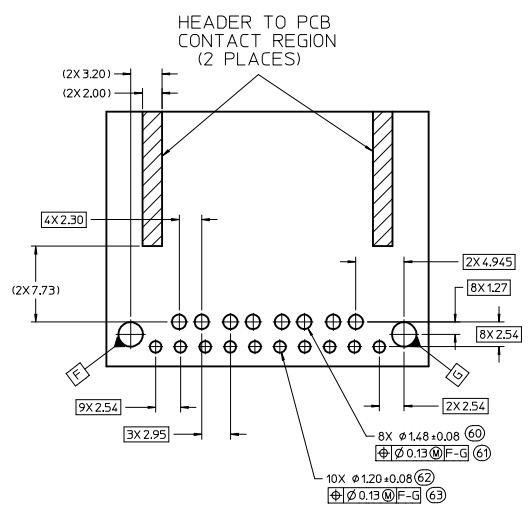
10 CKT HYBRID TEMPLATE PCB LAYOUT



8-20CKT 0.64mm TEMPLATE PCB LAYOUT



14 CKT HYBRID TEMPLATE PCB LAYOUT



ENTER DESCRIPTION IEC NO: UAU2017-0095 DRAWN: JFISCHER01 2016/08/01 CHKD: JFISCHER01 APPR: RBAUMAN 2016/08/03 REV: C6	QUALITY SYMBOLS ▽=0 ▽=0 ▽=0	GENERAL TOLERANCES (UNLESS SPECIFIED) mm INCH 4 PLACES ± --- ± --- 3 PLACES ± --- ± --- 2 PLACES ± 0.13 ± --- 1 PLACE ± 0.25 ± --- 0 PLACE ± --- ± --- ANGULAR ± 1 ° DRAFT WHERE APPLICABLE MUST REMAIN WITHIN DIMENSIONS	DIMENSION STYLE MM ONLY	SCALE 4:1	DESIGN UNITS METRIC	THIRD ANGLE PROJECTION	
	DRAWN BY JFISCHER01	DATE 2013/05/31	CHECKED BY DATE	APPROVED BY RBAUMAN	DATE 2013/06/04	MATERIAL NO. 999999999	DOCUMENT NO. SD-34997-400
	TITLE STAC64 4-BAY PAP R/A LONG PIN HEADER ASSEMBLY SALES DRAWING						
	SHEET NO. 5 OF 5						