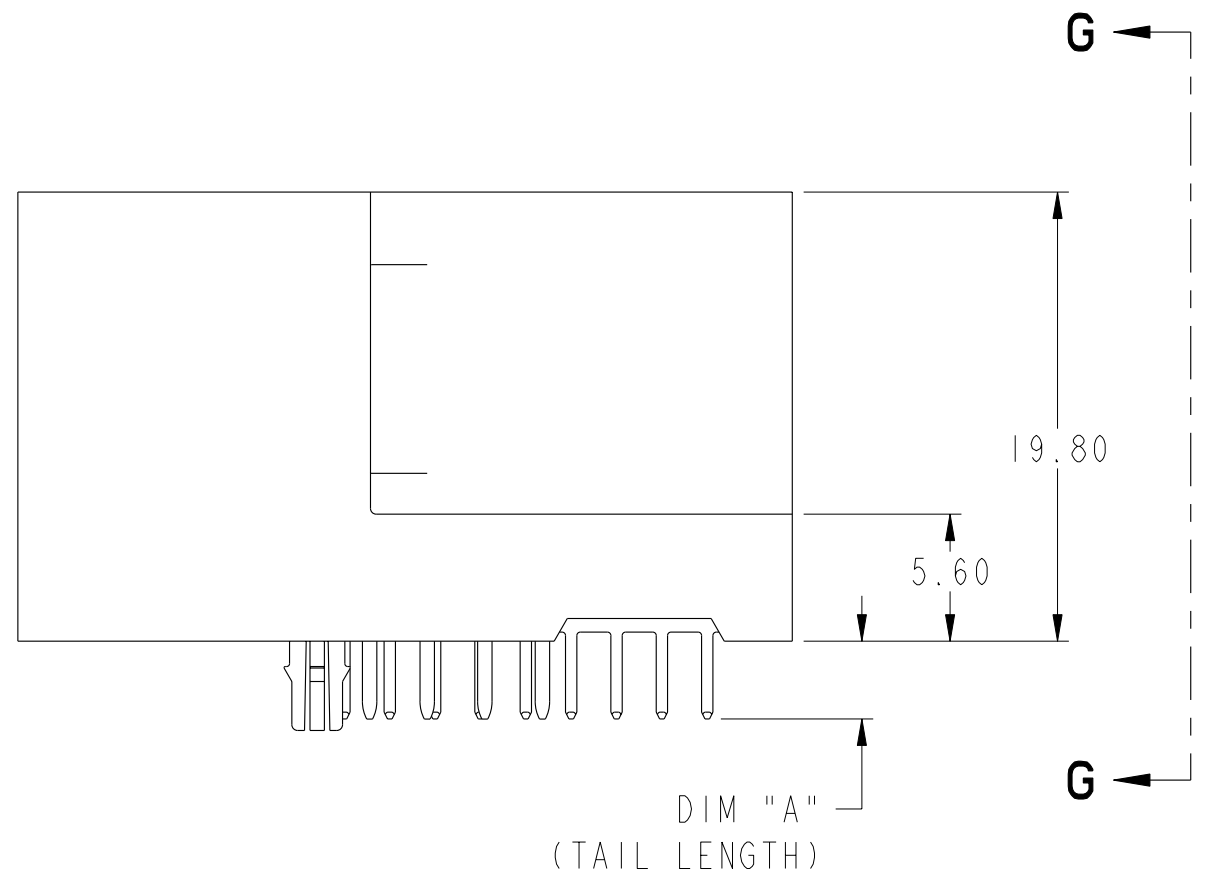
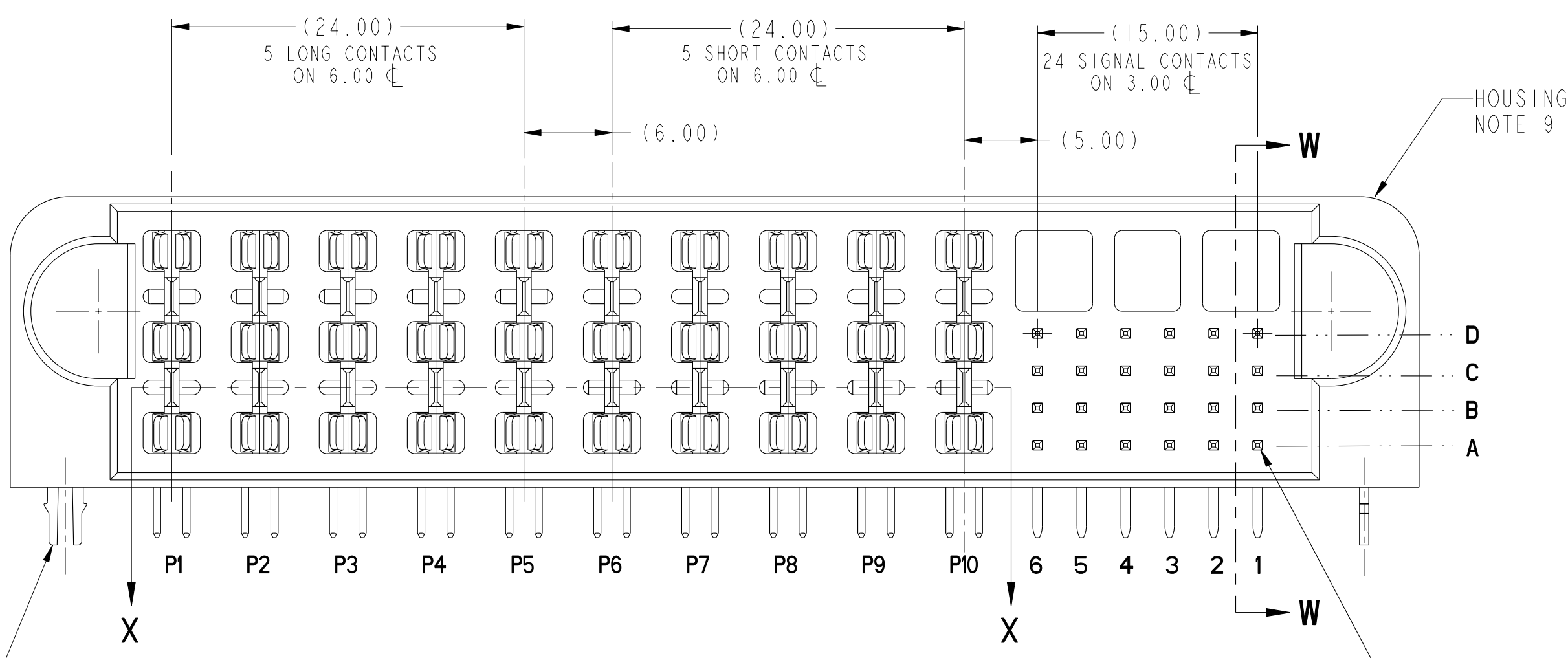


SECTION X-X
SEE DETAIL C

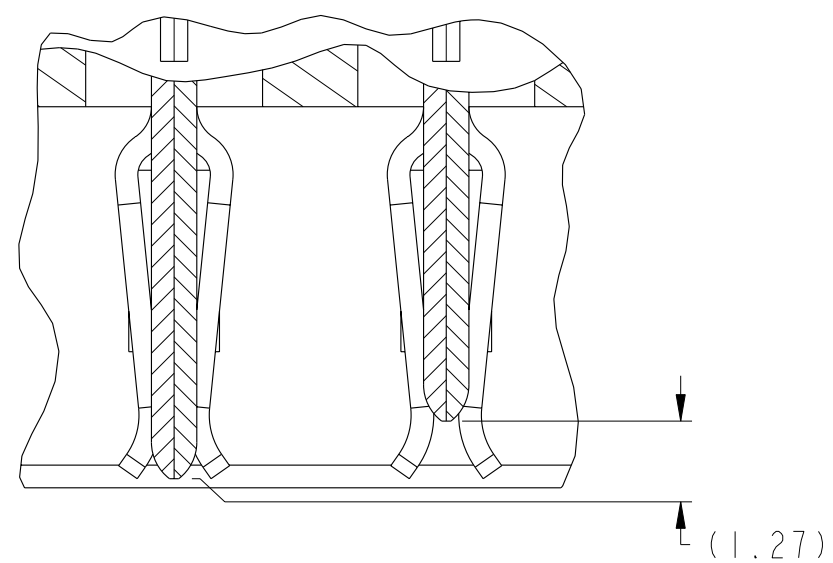


RETENTION CLIPS
OPTIONAL
(SEE P/N TABLE)

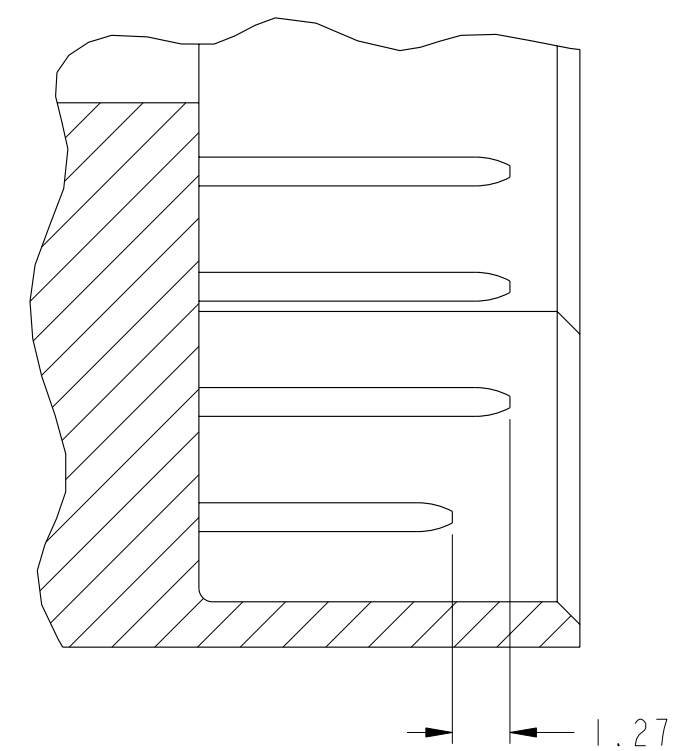
POSITION A1
SHORT DETECT PIN

www.fciconnect.com		surface ASME Y14.5	tolerance std ASME Y14.5	projection	MM
		TOLERANCES UNLESS OTHERWISE SPECIFIED			
Dr	T.HOUTZ	3/15/06	ANGULAR	0.X ±.3	size A2
Eng	H.NGO	3/15/06	LINEAR	0.XX ±.10	Scale 1:1
Chr	H.NGO	3/15/06	0° ±2°	0.XXX ±.050	ECN -
Appr	H.NGO	3/15/06	Product family	HCI	Spec ref -
rev	ecn no	dr	date	Title R/A HEADER ASSY 10DC-24S	
A	V06-1187	BAB	2006/12/07	catalog no	10065864
B	V07-0402	TH	2007/07/02	Customer sheet 1 of 5	
C	V07-0487	TH	2007/07/20	Rev. E	
D	V08-0053	BAB	2008/02/07	STATUS: Released	
E	V08-0243	TH	2008-06-03	Printed: Dec 18, 2010	

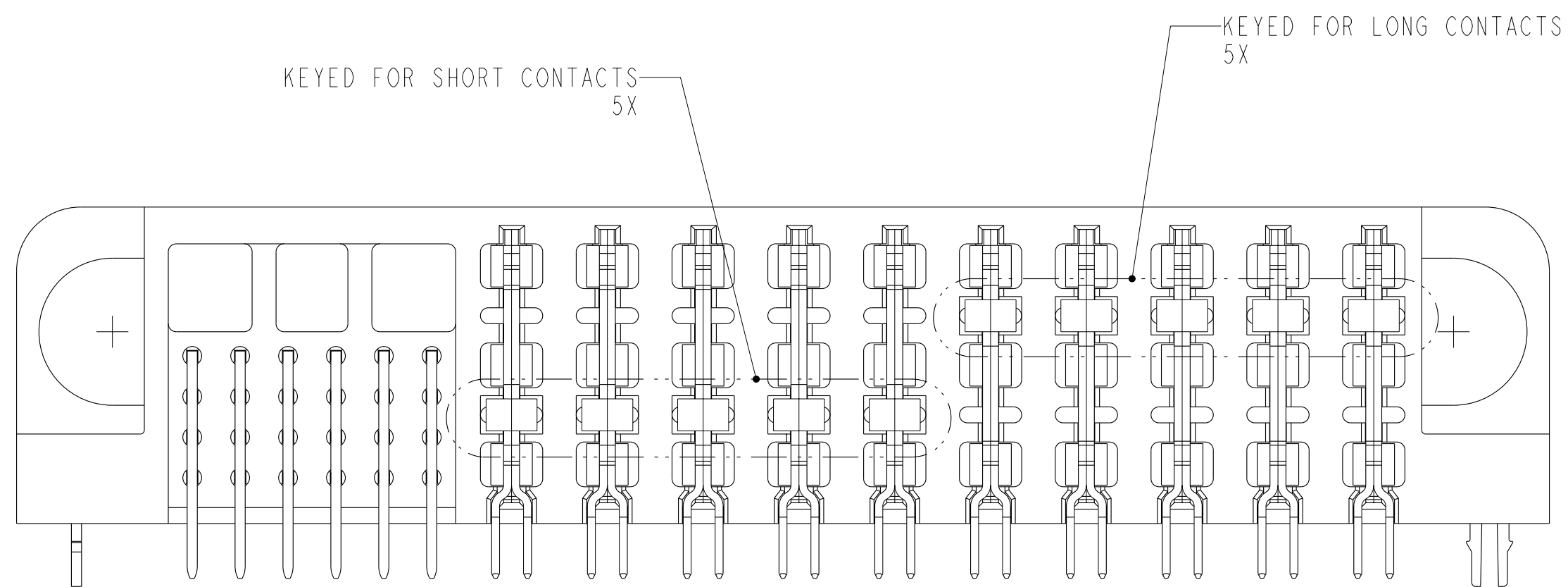
Copyright FCJ



DETAIL C
SCALE 6:1
POWER MATING
SEQUENCE



SECTION W-W
SCALE 6:1
SIGNAL MATING
SEQUENCE



VIEW G-G



Copyright FCJ.

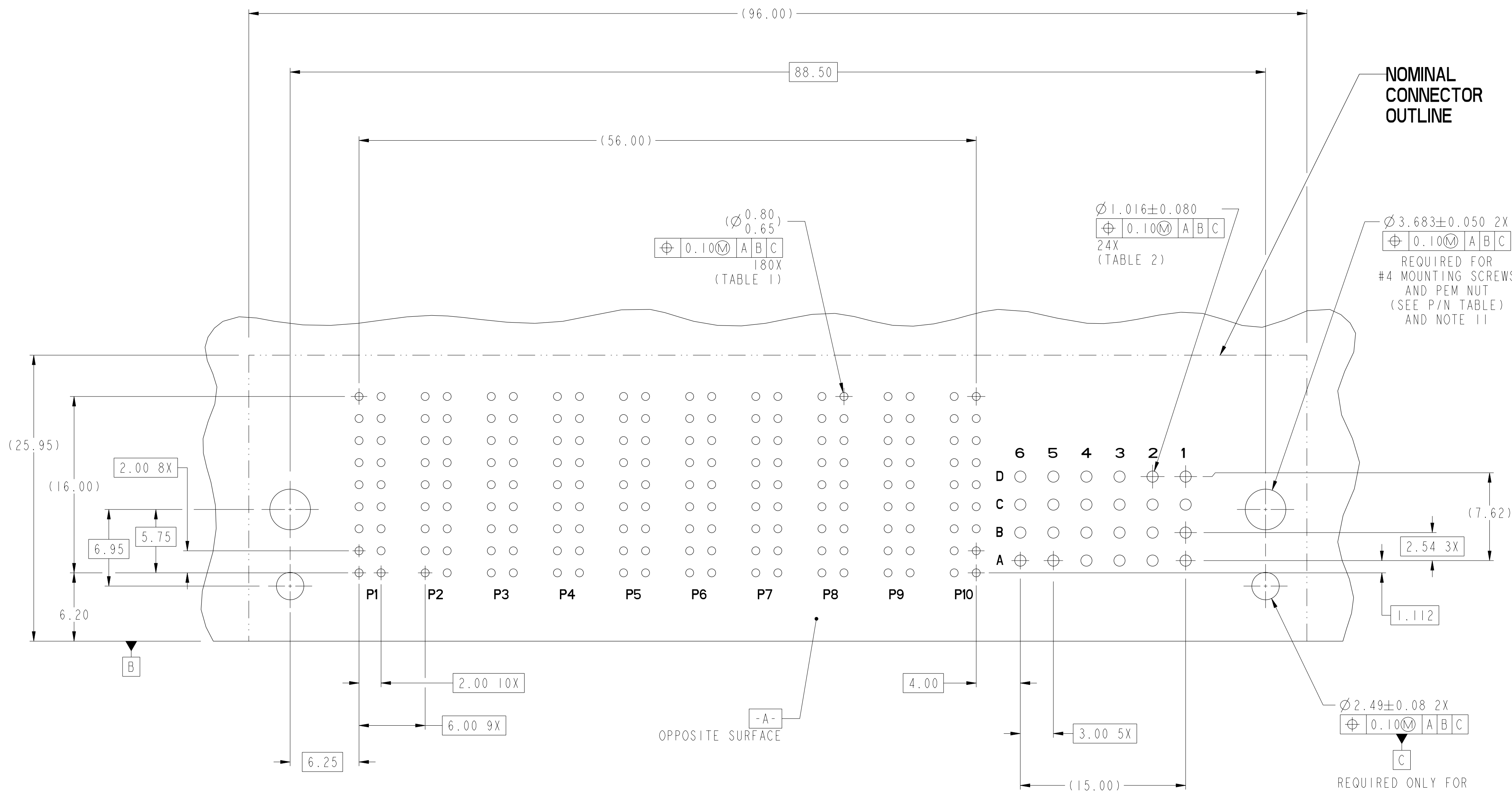


title	R/A HEADER ASSY 10DC-24S	dwg no	10065864	Rev.	E
	HCI POWER CONNECTOR				
catalog no		CUSTOMER	sheet 2 of 5		

PDM: Rev:E

STATUS:Released Printed: Dec 18, 2010

NOMINAL CONNECTOR OUTLINE



**RECOMMENDED PCB LAYOUT
COMPONENT SIDE
NOTE 6**

	TITLE R/A HEADER ASSY 10DC-24S	dwg no 10065864	Rev. E
	HCI POWER CONNECTOR	CUSTOMER	sheet 3 of 5
catalog no	STATUS: Released		


A
B
C
D
E
F

A
B
C
D
E
F

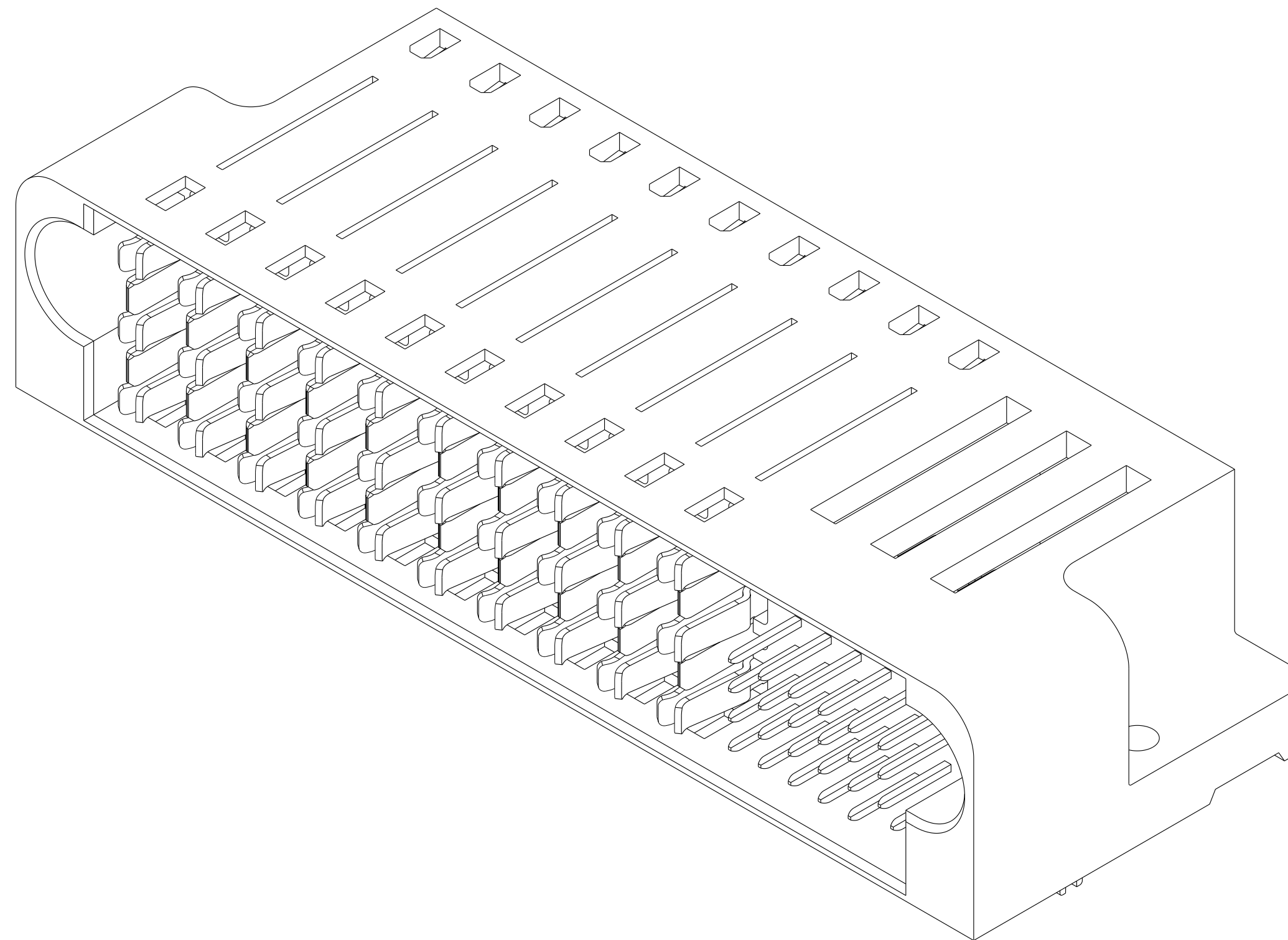
TOP LAYER DESCRIPTION	TABLE 1 (HCI POWER) PLATED THROUGH-HOLE REQUIREMENTS							
	DRILLED HOLE DIAMETER	COPPER THICKNESS	TIN-LEAD THICKNESS	NICKEL THICKNESS	GOLD THICKNESS	TIN THICKNESS	SILVER THICKNESS	FINISHED HOLE DIAMETER
TIN-LEAD	0.81-0.86 (0.85 DRILL)	0.025 - 0.050	0.005 - 0.015	--	--	--	--	0.65 - 0.80
IMMERSION TIN	0.81-0.86 (0.85 DRILL)	0.025 - 0.050	--	--	--	0.9 - 1.5um	--	0.70 - 0.80
IMMERSION SILVER	0.81-0.86 (0.85 DRILL)	0.025 - 0.050	--	--	--	--	0.15 - 0.65um	0.70 - 0.80
COPPER (SEE NOTE 9)	0.81-0.86 (0.85 DRILL)	0.025 - 0.050	--	--	--	--	--	0.70 - 0.80
GOLD	0.81-0.86 (0.85 DRILL)	0.025 - 0.050	--	0.003 - 0.007	FLASH UP TO 0.0002	--	--	0.69 - 0.80

TOP LAYER DESCRIPTION	TABLE 2 (HPC SIGNALS) PLATED THROUGH-HOLE REQUIREMENTS							
	DRILLED HOLE DIAMETER	COPPER THICKNESS	TIN-LEAD THICKNESS	NICKEL THICKNESS	GOLD THICKNESS	TIN THICKNESS	SILVER THICKNESS	FINISHED HOLE DIAMETER
TIN-LEAD	1.125-1.175 ($\varnothing .0453 \pm .0010$)	0.025-0.050	0.005-0.015	--	--	--	--	0.94 - 1.10 ($\varnothing .040 \pm .003$)
IMMERSION TIN			--	--	--	--	--	
IMMERSION SILVER			--	--	--	--	--	
COPPER (SEE NOTE 9)			--	--	--	--	--	
GOLD			--	--	--	--	--	

Copyright FCJ

	title R/A HEADER ASSY 10DC-24S HCI POWER CONNECTOR	dwg no 10065864	Rev. E
	catalog no -	CUSTOMER	sheet 4 of 5

PART NUMBER	RETENTION CLIPS	#4 SCREW	DIM A (TAIL LENGTH)	TAIL TYPE
10065864-001LF	NO	YES	3.43	SOLDER TAIL
10065864-002LF	NO	YES	4.70	SOLDER TAIL
10065864-003LF	YES	NO	3.43	SOLDER TAIL
10065864-004LF	YES	NO	4.70	SOLDER TAIL



NOTES:

1. CONNECTOR MATERIALS:
 HOUSING: HIGH TEMPERATURE THERMOPLASTIC, BLACK
 UL 94V-0 COMPLIANT
 CONTACTS: HIGH PERFORMANCE COPPER ALLOY
2. CONTACT FINISH(REF. GS-12-380 SECTION 5.2)
3. PRODUCT SPECIFICATION: GS-12-380.
4. APPLICATION SPECIFICATION: GS-20-070.
5. PRODUCT MARKING (PRODUCT NUMBER & DATE CODE) ON HOUSING IN AREA SHOWN.
6. MINIMUM NOMINAL PCB THICKNESS: 1.6mm
7. PACKAGING MEETS FCI SPECIFICATION GS-14-1073.
8. HOUSING COMPONENT WILL WITHSTAND EXPOSURE TO 260°C
 PEAK TEMPERATURE FOR 60 SECONDS IN A CONVECTION, INFRA-RED,
 OR VAPOR PHASE REFLOW OVEN.
9. COPPER PLATING THICKNESS IN CENTER OF VIA-HOLE CAN BE
 NO MORE THAN 0.003 LESS THAN OTHER AREAS.
10. ALL HOLE SIZES ARE FINISHED HOLE SIZES.
11. MOUNTING HOLES ARE UNPLATED.

FCJ	title	R/A HEADER ASSY 10DC-24S	dwg no	10065864	Rev.	E
	catalog no	HCl POWER CONNECTOR	CUSTOMER	sheet 5 of 5		