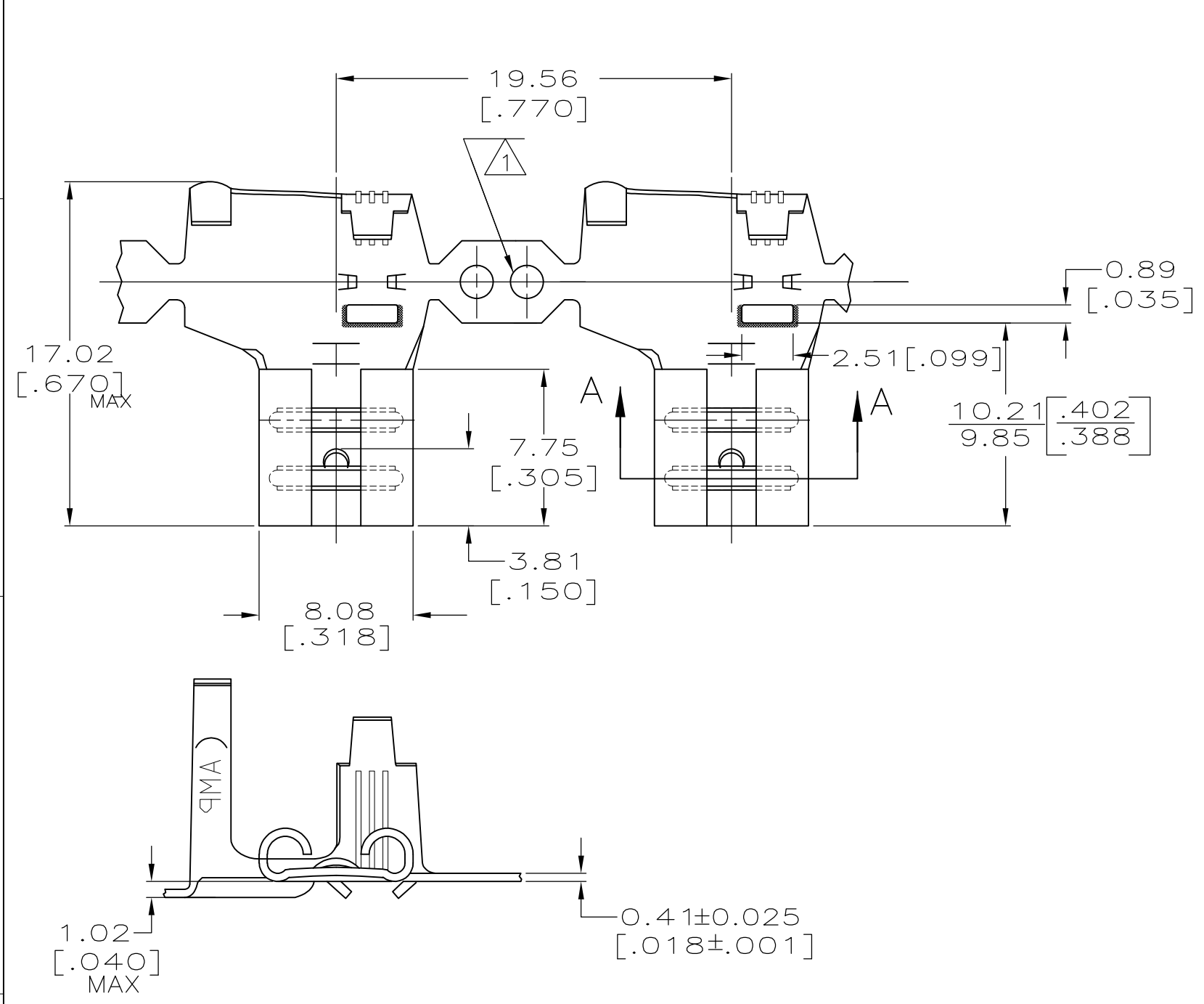
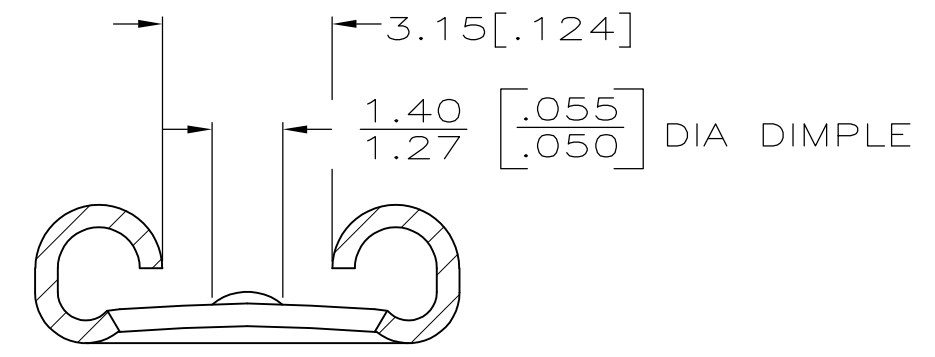


LOC	DIST	REVISIONS					
AF	50	P	LTR	DESCRIPTION	DATE	DWN	APVD
		D		REVISED PER ECR-11-018063	07DEC11	KH	PD



- 1 SINGLE OR DOUBLE PILOT HOLE OPTIONAL
- 2 MATING TAB THK IS 0.81±0.025 [.032±.001]
- 3 INSULATION SIZE IS 2.79-5.33 [.110-.210] DIA.
- 4 WIRE SIZE IS [#18-#12] AWG.



SECTION A-A  
SCALE 8:1

1217403-1  
PART NO

THIS DRAWING IS A CONTROLLED DOCUMENT.		DWN	JR RUTH	02MAY00	TE Connectivity		
DIMENSIONS: mm [INCHES]		CHK	MS FEHER	02MAY00			
		TOLERANCES UNLESS OTHERWISE SPECIFIED:			NAME		
0 PLC ± - 1 PLC ± - 2 PLC ± - 3 PLC ± .015 4 PLC ± - ANGLES ± -		APVD			RECEPTACLE, FASTON, FLAG, .250 SERIES		
MATERIAL		PRODUCT SPEC			DRAWING NO		
#3H PHOS BRZ		FINISH			RESTRICTED TO		
		TIN			A300779 C-1217403		
		WEIGHT			SCALE 4:1 SHEET 1 of 1 REV D		
		CUSTOMER DRAWING					