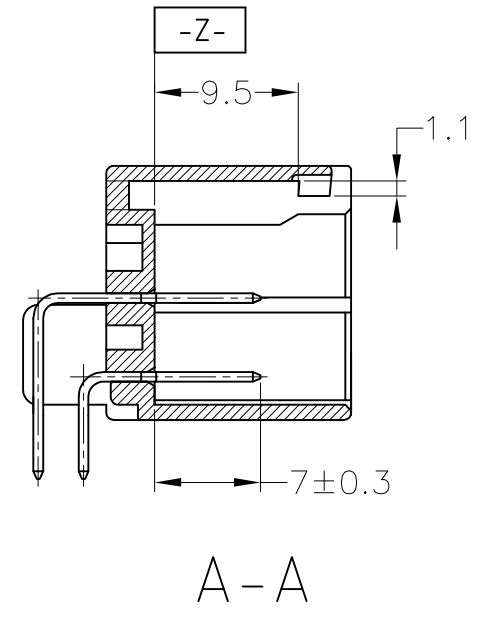
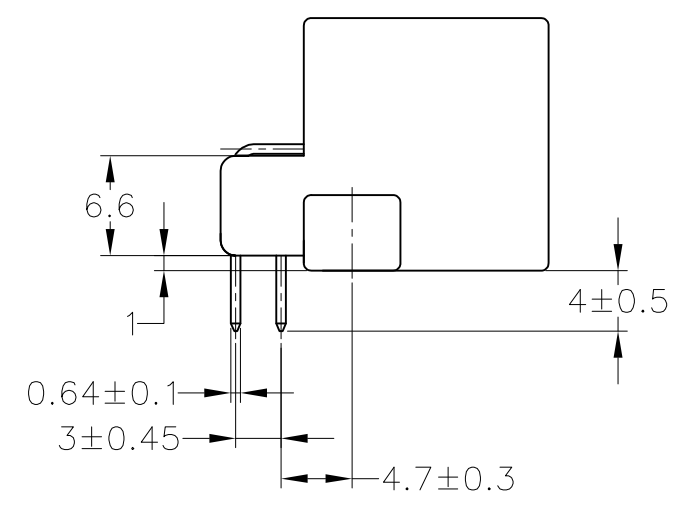
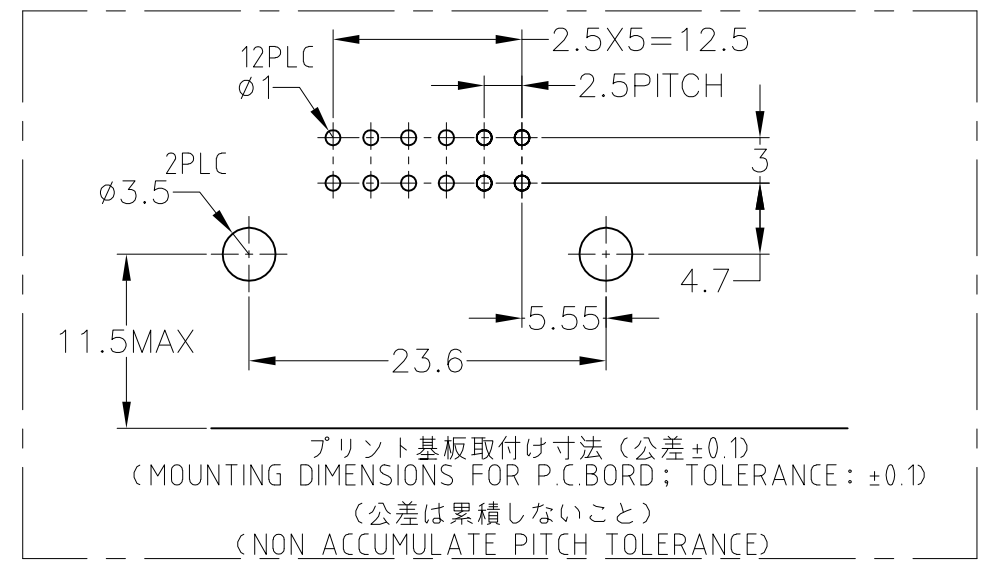
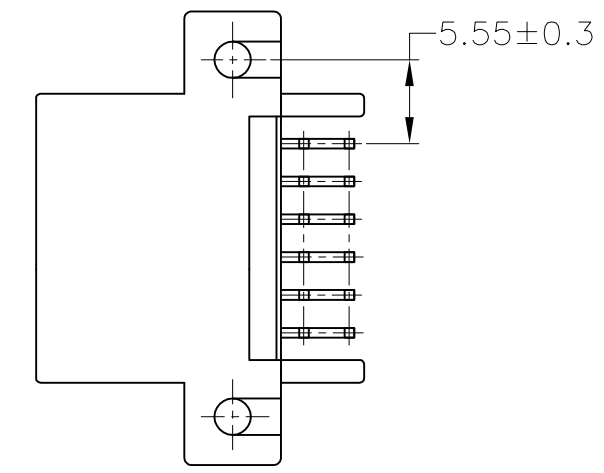
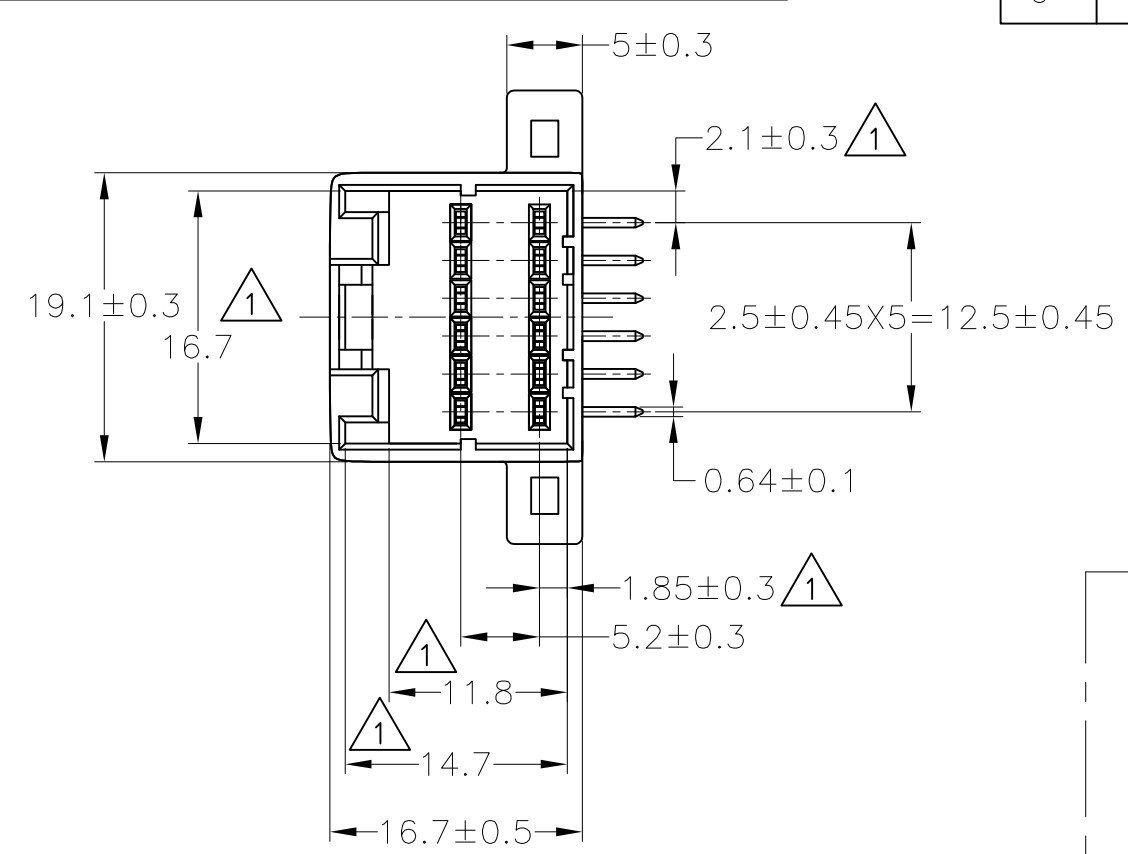
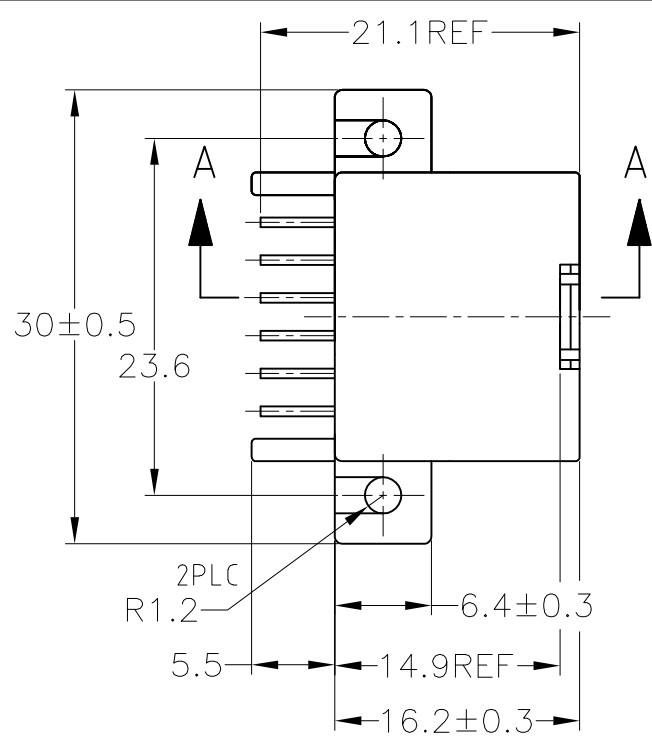


THIS DRAWING IS UNPUBLISHED. RELEASED FOR PUBLICATION
 © COPYRIGHT - By - ALL RIGHTS RESERVED.

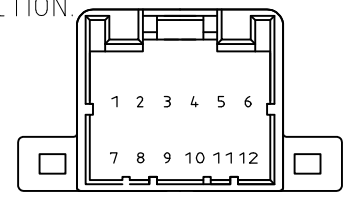
LOC	DIST	REVISIONS					
J	-	P	LTR	DESCRIPTION	DATE	DWN	APVD
			J7	REVISED PER ECO-11-005140	28MAR11	RK	HMR



- ① TO BE MEASURED WITHIN 2mm FROM [-Z-]
- 2. APPLICABLE P.C.BOARD THICKNESS: 1.6mm
- 3. THE MATING PLUG HOUSING PART NUMBER : 174045
- 4. RECOMMENDED MOUNTING SCREW; 3mm DIA, 7mm LENGTH (MIN.) PAN HEAD, CLASS 2 TAPPING SCREW SPRCIFED IN JIS B1115, B1122 (TIGHTENING TORQUE: 0.4N·m MAX.)
- ⑤ CIRCUIT NUMBER.
- ⑥ PRELIMINARY NOT FOR PRODUCTION.

(PRE-TINNED) (GOLD PLATED) 金めっき済 (10) 金めっき (2)	(5) (6)	(BLACK) 黒	4-174051-4
(PRE-TINNED) (GOLD PLATED) 金めっき済 (10) 金めっき (2)	(4) (10)	(BLACK) 黒	4-174051-2
SEE 2-174051-2			2-174051-2
SEE 1-174051-4			1-174051-4
(GOLD PLATED) 金めっき (12)	--	(BLACK) 黒	1-174051-2
(PRE-TINNED) 金めっき済 (12)	--	(BLUE) 青	174051-5
(PRE-TINNED) 金めっき済 (12)	--	(GREEN) 緑	174051-4
(PRE-TINNED) 金めっき済 (12)	--	(BLACK) 黒	174051-2
FINISH OF CONTACT コンタクト仕上げ (本数)	CIRCUIT NO. OF GOLD PLATED CONTACT 金めっき端子使用回路番号	HOUSING COLOR ハウジング色	PART NUMBER 型番

- ① [-Z-] 面より2mmの範囲で測定。
- 2. 適用プリント基板厚: 1.6mm
- 3. 嵌合相手型番: 174045
- 4. 推奨取付けねじ: JIS B1115, B1122 タッピングねじ、なべ2種 呼び径3、長さ7mm以上 (締付けトルク: 0.4N·m 以下)
- ⑤ 回路番号: 上図参照のこと。
- ⑥ 非量産対象製品。



TOLERANCE UNLESS OTHERWISE SPECIFIED: 一般公差

0 < x ≤ 10	: ±0.2
10 < x ≤ 30	: ±0.25
30 < x ≤ 100	: ±0.3
ANGLE ; 角度	: ±3°

THIS DRAWING IS A CONTROLLED DOCUMENT.

DIMENSIONS: 単位: 耗 mm	TOLERANCES UNLESS OTHERWISE SPECIFIED: 一般公差
0 PLC ± -	1 PLC ± -
2 PLC ± -	3 PLC ± -
4 PLC ± -	ANGLES ± -
MATERIAL 材料	FINISH 仕上
HOUSING: PBT	SEE TABLE
CONTACT: BRASS	

DWN T.SHINOHARA 19OCT00	CHK A.YAMAGUCHI 19OCT00
APVD K.BETSUI 19OCT00	PRODUCT SPEC 製品規格 108-5244
APPLICATION SPEC 取付適用規格	WEIGHT 7g
CUSTOMER DRAWING	

WIRE RANGE 抱合電線断面積		INSULATION DIA 被覆外径	
STE TE Connectivity			
040 SERIES MULTI-LOCK I/O CONNECTOR 12POSITION CAP HOUSING ASSEMBLY (HORIZONTAL TYPE)			
SIZE A3	CAGE CODE 00779	DRAWING NO 番号 C-174051	RESTRICTED TO -
SCALE 尺度 2:1		SHEET 1 OF 1	REV J7