

4

3

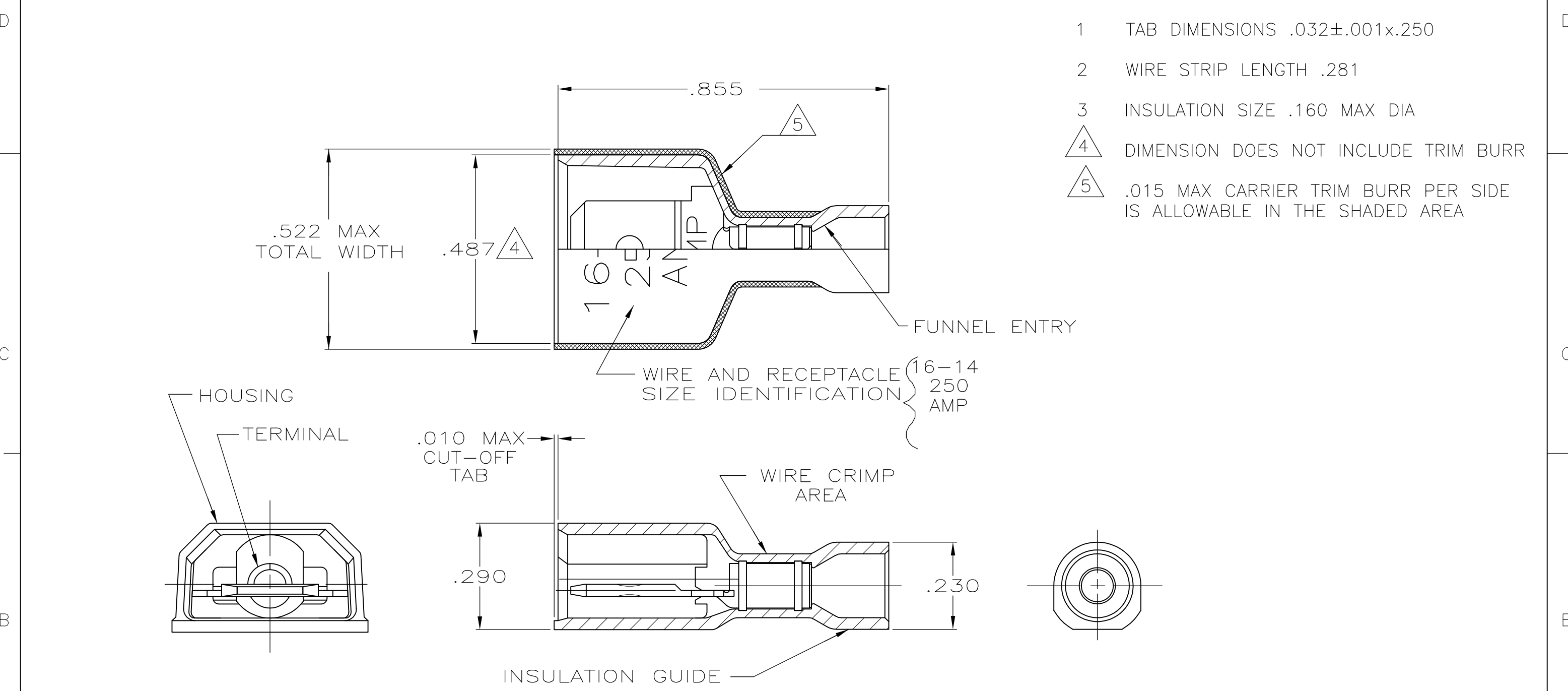
2

1

THIS DRAWING IS UNPUBLISHED. RELEASED FOR PUBLICATION
 © COPYRIGHT - By - ALL RIGHTS RESERVED.

LOC	DIST	REVISIONS					
AF	50	P	LTR	DESCRIPTION	DATE	DWN	APVD
		K		REVISED PER ECR-12-005303	18JUL12	KH	KR

- 1 TAB DIMENSIONS .032±.001x.250
- 2 WIRE STRIP LENGTH .281
- 3 INSULATION SIZE .160 MAX DIA
- 4 DIMENSION DOES NOT INCLUDE TRIM BURR
- 5 .015 MAX CARRIER TRIM BURR PER SIDE IS ALLOWABLE IN THE SHADED AREA



HOUSING: NYLON, COLOR-BLUE TRANSLUCENT	3-520107-2
RECEPTACLE: #3 HARD BRASS, TIN	
MATERIAL & FINISH	PART NO

THIS DRAWING IS A CONTROLLED DOCUMENT.		DWN	P FORTNEY	11/15/88	STE TE Connectivity			
DIMENSIONS: INCHES		CHK	MS FEHER	11/30/88				
		APVD	KA RANDOLPH	12/14/88				
		PRODUCT SPEC		NAME		TAB ASSEMBLY, ULTRA-FAST, LOOSE PIECE, .250 SERIES, 16-14 AWG		
TOLERANCES UNLESS OTHERWISE SPECIFIED:		108-2017		APPLICATION SPEC	SIZE	CAGE CODE	DRAWING NO	RESTRICTED TO
0 PLC ± -		114-2123		WEIGHT	A3	00779	C-520107	-
1 PLC ± -		CUSTOMER DRAWING		SCALE	4:1	SHEET	1 OF 1	REV
2 PLC ± -								K
3 PLC ± .015								
4 PLC ± -								
ANGLES ± -								
MATERIAL SEE TABLE								
FINISH SEE TABLE								