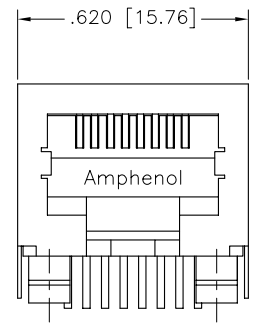
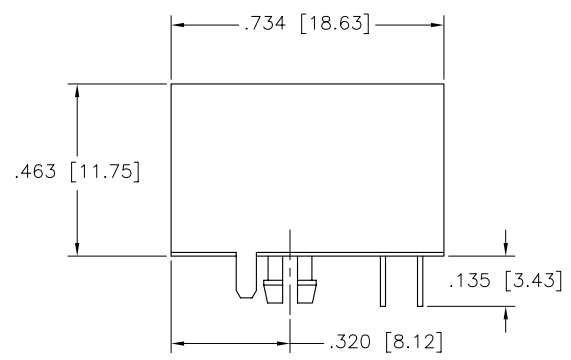


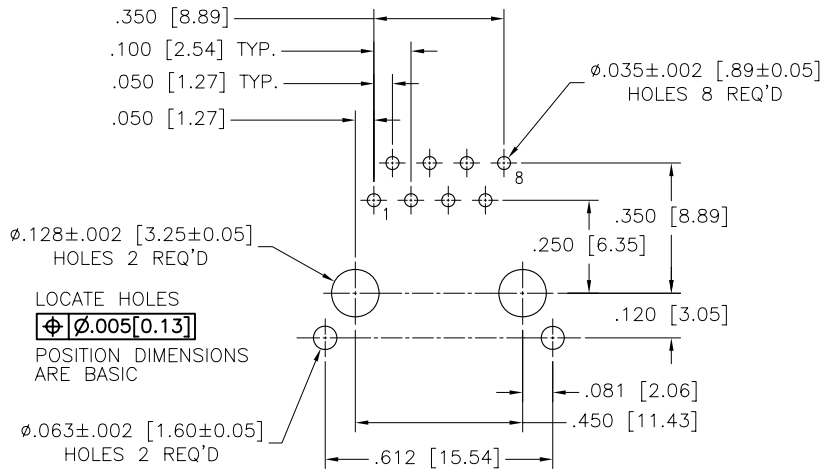
REVISIONS				
SYM	ZONE	ECN, ERN NO.	DATE	APPRD.
A		PROPOSAL	May 12, 06	L.C.
B		PROPOSAL	Mar 10, 2010	L.C.



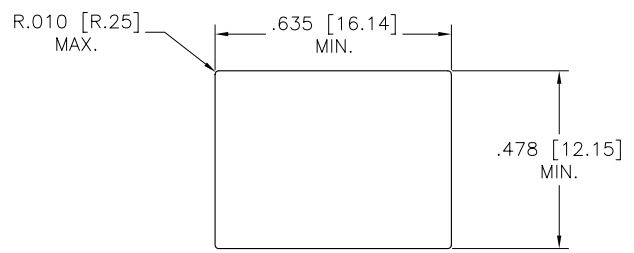
FRONT VIEW



SIDE VIEW



RECOMMENDED P.C.B. LAYOUT
(COMPONENT SIDE OF BOARD)



RECOMMENDED PANEL CUTOUT

MATERIALS:

PLASTIC HOUSING: HIGH TEMPERATURE THERMOPLASTIC
FLAMMABILITY RATING UL94V-0.

CONTACTS:

PHOSPHOR BRONZE
PLATING: REFER PART NUMBER FOR GOLD THICKNESS ON MATING SURFACES.
50 μ " [1.27 MICRONS] MIN. NICKEL UNDERPLATE.
100 μ " [2.54 MICRONS] MIN. MATTE TIN OR GOLD FLASH ON CONTACT TAILS.

SHIELD:

COPPER ALLOY
PLATING: NICKEL

PART NUMBER: RJE05-188-1X10-H

GOLD PLATING
 1 = 6 μ " MIN
 2 = 15 μ " MIN
 3 = 30 μ " MIN
 4 = 50 μ " MIN

THIS DOCUMENT CONTAINS PROPRIETARY INFORMATION AND SUCH INFORMATION MAY NOT BE DISCLOSED TO OTHERS FOR ANY PURPOSE OR USED FOR MANUFACTURING PURPOSES WITHOUT WRITTEN PERMISSION FROM AMPHENOL CANADA CORP.

DRAWN <i>Huilan Wang</i>	DATE <i>Mar 9, 2010</i>
DESIGNED <i>MT Chen</i>	DATE <i>Mar 9, 2010</i>
CHECKED <i>L.CHAN</i>	DATE <i>Mar 9, 2010</i>
I. E. APPRD.	
Q. A. APPRD.	
DWG. APPRD.	
ENG. REL. NO.	
REF.	
DIMENSIONS ARE IN INCHES[mm]	CODE ID. NO. 03554

Amphenol Canada Corp.

TITLE RJE05 SERIES MODULAR JACK,
8 POSITIONS, 8 CONTACTS, SHIELDED,
ULTRA LOW PROFILE-RoHS COMPLIANT

DWG	DRAWING NO.	REV.
	P-RJE05-188-1X10-H	B
SCALE	WT. -----	SHEET 1 OF 1