

# DMC 1,5/ 8-G1F-3,5-LR P20THR


Order No.: 1787072



<http://eshop.phoenixcontact.de/phoenix/treeViewClick.do?UID=1787072>

Header, Nominal current: 8 A, Rated voltage (III/2): 160 V, Number of positions: 8, Pitch: 3.5 mm, Color: Black, Assembly: SMD/THT/THR

## Commercial data

GTIN (EAN)	
sales group	E100
Pack	50 pcs.
Customs tariff	85366990
Catalog page information	Page 177 (CC-2011)

## Product notes

WEEE/RoHS-compliant since:  
07/12/2010



<http://www.download.phoenixcontact.com>  
Please note that the data given here has been taken from the online catalog. For comprehensive information and data, please refer to the user documentation. The General Terms and Conditions of Use apply to Internet downloads.

## Technical data

### Dimensions / positions

Length	11.6 mm
Height	12.8 mm
Pitch	3.5 mm
Dimension a	24.5 mm
Number of positions	8

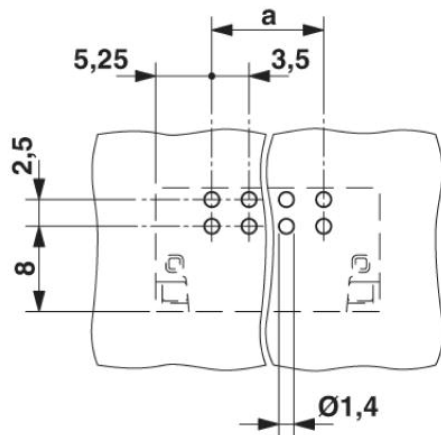
Pin dimensions	0,8 x 0,8 mm
Pin spacing	2.50 mm
Hole diameter	1.4 mm

#### Technical data

Range of articles	DMC 1,5/..-G1F-THR
Insulating material group	IIIa
Rated surge voltage (III/3)	2.5 kV
Rated surge voltage (III/2)	2.5 kV
Rated surge voltage (II/2)	2.5 kV
Rated voltage (III/2)	160 V
Rated voltage (II/2)	250 V
Connection in acc. with standard	EN-VDE
Nominal current $I_N$	8 A
Nominal voltage $U_N$	160 V
Maximum load current	8 A
Insulating material	LCP
Inflammability class acc. to UL 94	V0
Color	Black

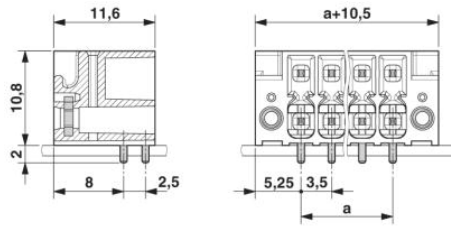
#### Diagrams/Drawings

Drilling plan/solder pad geometry



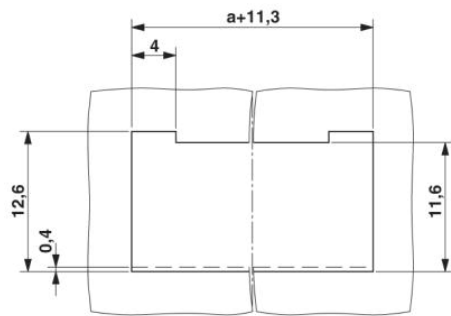
Dimensioned drawing

---



Schematic diagram

---



**Address**

PHOENIX CONTACT Deutschland GmbH  
Flachmarktstr. 8  
32825 Blomberg, Germany  
Phone +49 5235 3 12000  
Fax +49 5235 3 41200  
<http://www.phoenixcontact.de>



© 2011 Phoenix Contact  
Technical modifications reserved;