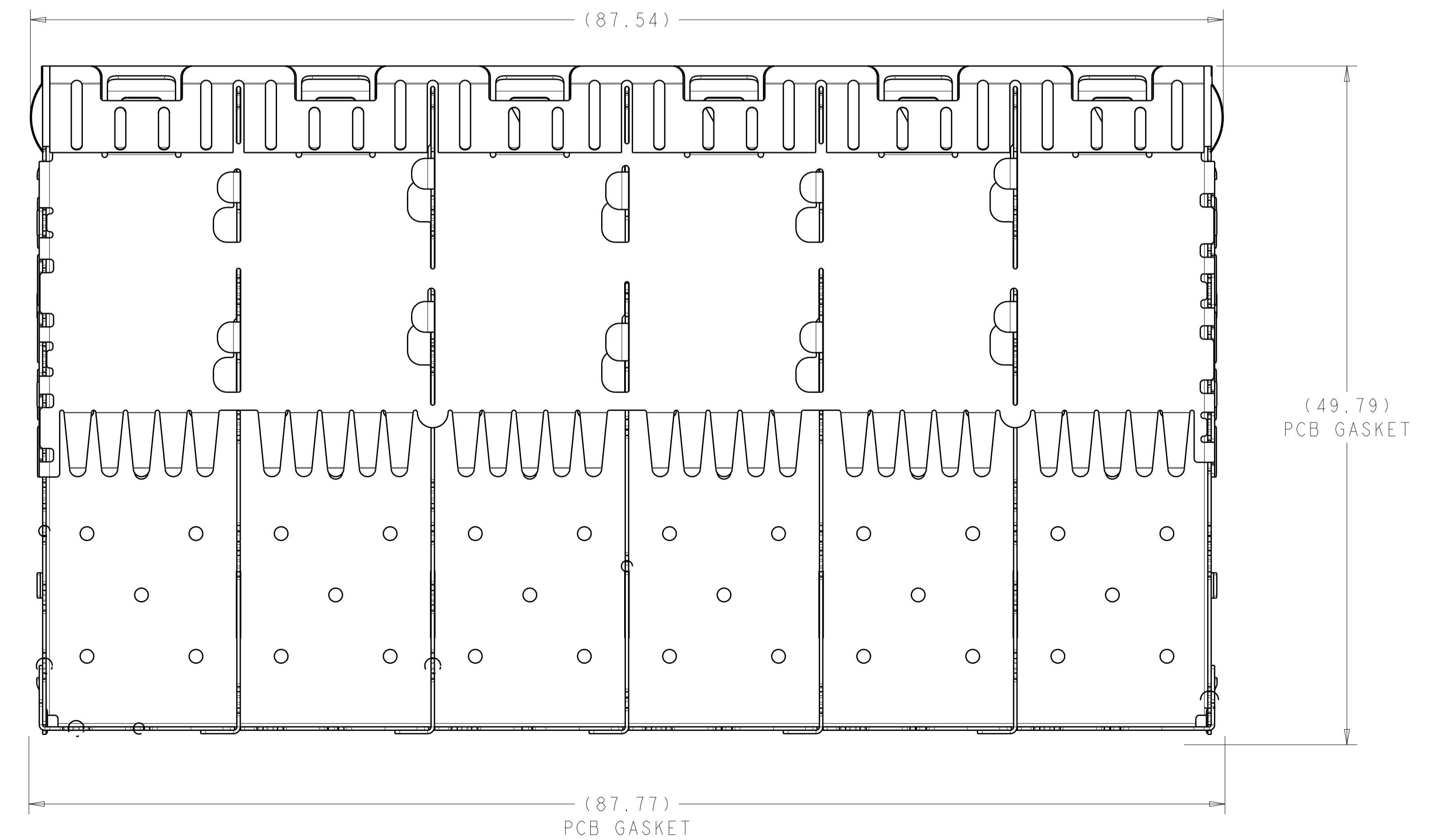
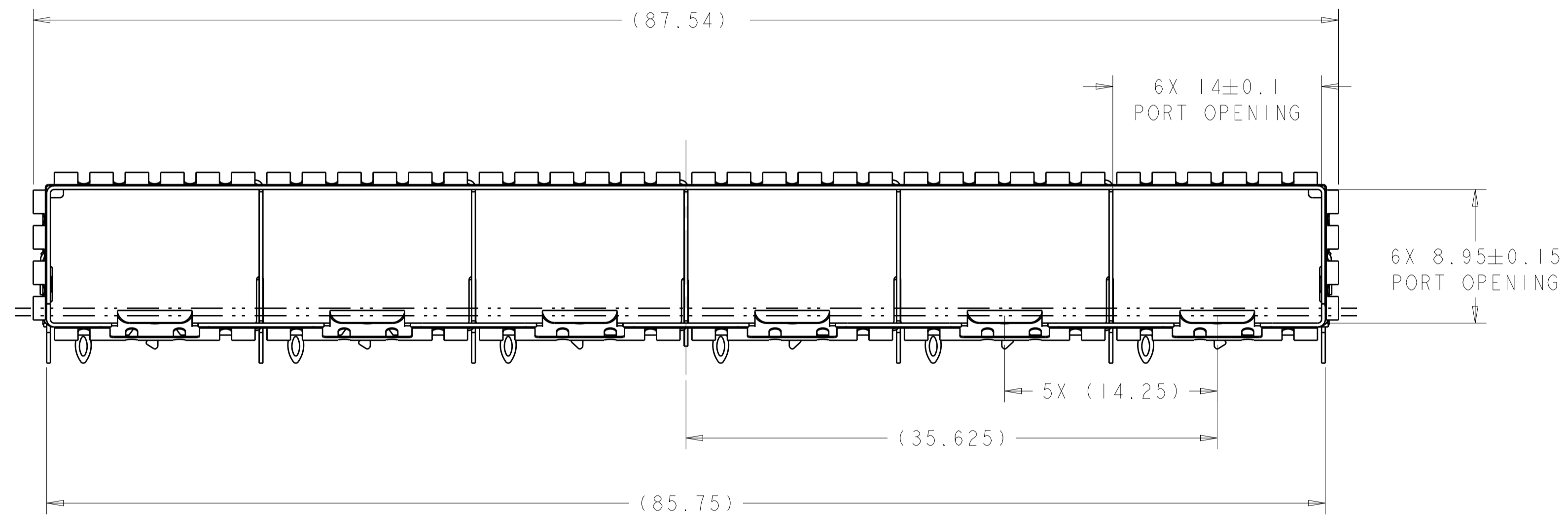
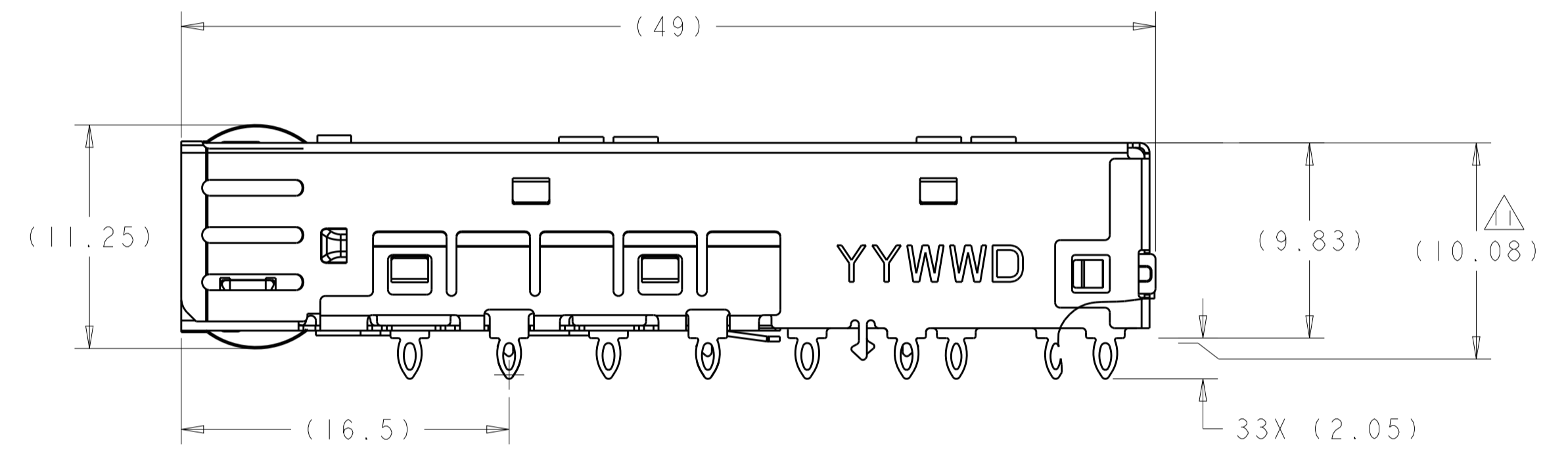


2227732-1
 SCALE 4:1



1. MATERIAL:
 CAGE ASSEMBLY: NICKEL SILVER ALLOY
 EMI SPRINGS: COPPER ALLOY
 PCB GASKET: RF ABSORBER
2. MINIMUM PC BOARD THICKNESS:
 SINGLE SIDED = 1.45mm
 BELLY TO BELLY = 2.25mm
3. PADS AND VIAS CHASSIS GROUND
4. DATUM AND BASIC DIMENSION ESTABLISHED BY CUSTOMER
5. MATES WITH SFP MSA COMPLIANT TRANSCEIVERS
6. INTERPRETATION OF DATUM REFERENCE FRAME IN ACCORDANCE WITH SECT 4.4.1.1 OF ASME Y14.5M-1994
7. REFERENCE APPLICATION SPEC. 114-13120, HOLE A, FOR RECOMMENDED DRILL HOLE DIAMETER AND PLATING THICKNESS
8. REFERENCE APPLICATION SPEC. 114-13120, HOLE B, FOR RECOMMENDED DRILL HOLE DIAMETER AND PLATING THICKNESS
9. HOLE PATTERN REPEATS FOR EACH PORT, SPACING BETWEEN PORTS IS 14.25mm
10. PRODUCT COMPLIES WITH SPECIFICATION SFF-8433, IMPROVED PLUGGABLE FORM FACTOR FOR SFP+ GANGED CAGES
11. CONTACT STANDOFF WILL PIERCE GASKET WHEN PROPERLY PRESSED INTO PCB.

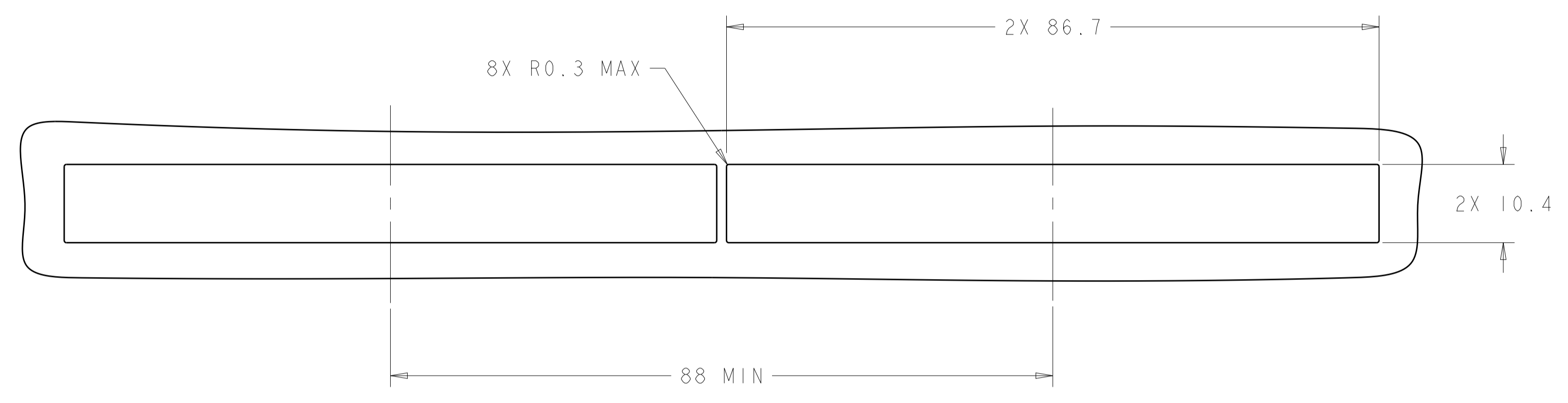
LOC	DIST	REVISIONS					
GP	00	P	LTN	DESCRIPTION	DATE	DWN	APVD
		A		REVISED PER ECO-15-002647	05MAR2015	AP	MS
		B		REVISED PER ECO-15-007912	29MAY2015	PP	SH
		B1		REVISED PER ECO-16-014593	13FEB2017	JW	SH



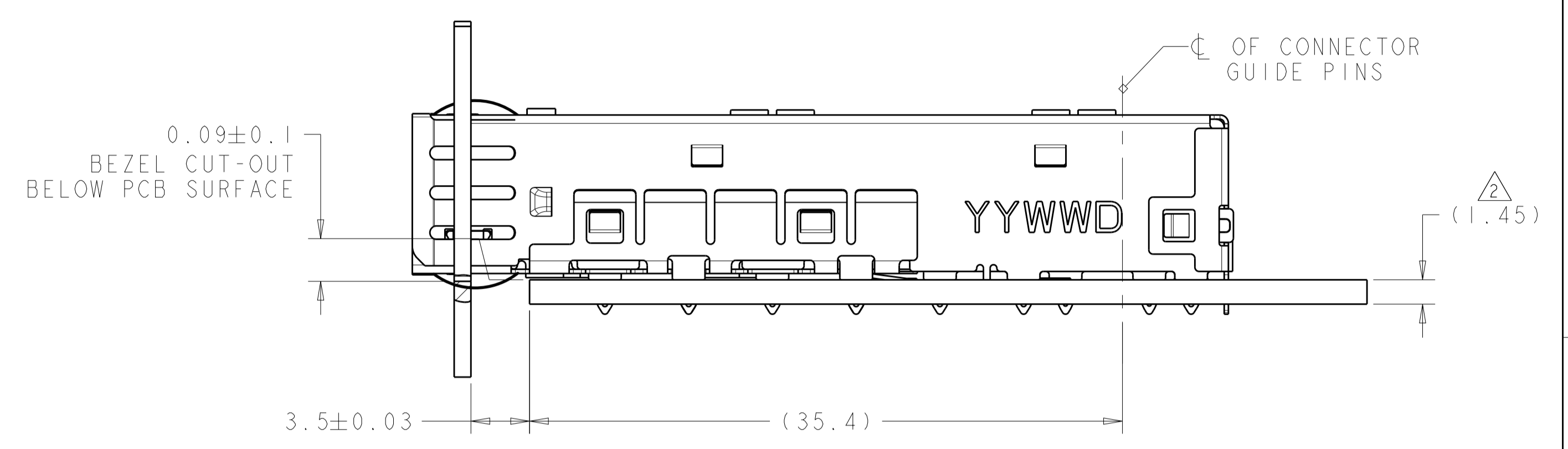
2227732-1
 PART NUMBER

THIS DRAWING IS A CONTROLLED DOCUMENT. DIMENSIONING AND TOLERANCING PER ASME Y14.5M-2009.		DWN: C. VALENTINE 08MAR2013 CHK: M. PHILLIPS 08MAR2013 APVD: M. PHILLIPS 08MAR2013	TE Connectivity	
DIMENSIONS: mm		PRODUCT SPEC: 108-2364	NAME: CAGE ASSEMBLY, ENHANCED, PRESS-FIT, 1X6, zSFP+	
TOLERANCES UNLESS OTHERWISE SPECIFIED: 0 PLC ±0.25 1 PLC ±0.25 2 PLC ±0.25 3 PLC ±0.25 4 PLC ±0.25 ANGLES ±°		APPLICATION SPEC: 114-13120	SIZE: CAGE CODE DRAWING NO. RESTRICTED TO	
MATERIAL:		WEIGHT: -	A100779C=2227732	
FINISH: -		Customer Drawing	SCALE: 1:1 SHEET 1 OF 4 REV: B1	

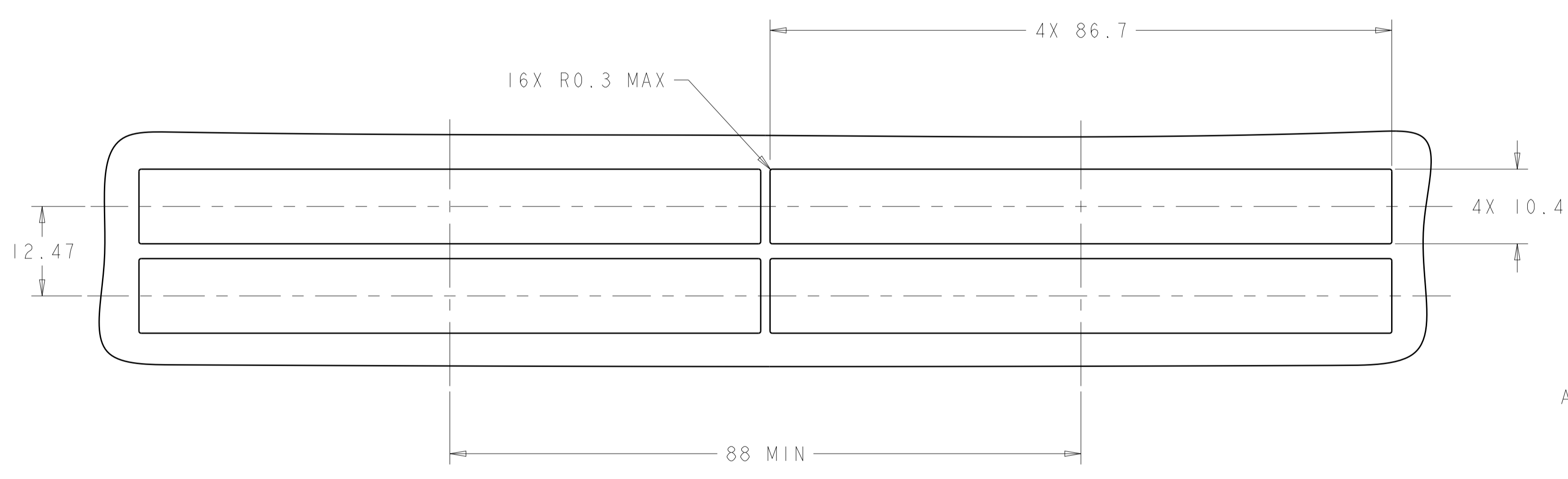
LOC		DIST		REVISIONS			
GP	00	P	LTN	DESCRIPTION	DATE	DMN	APVD
-	-	-	-	SEE SHEET 1	-	-	-



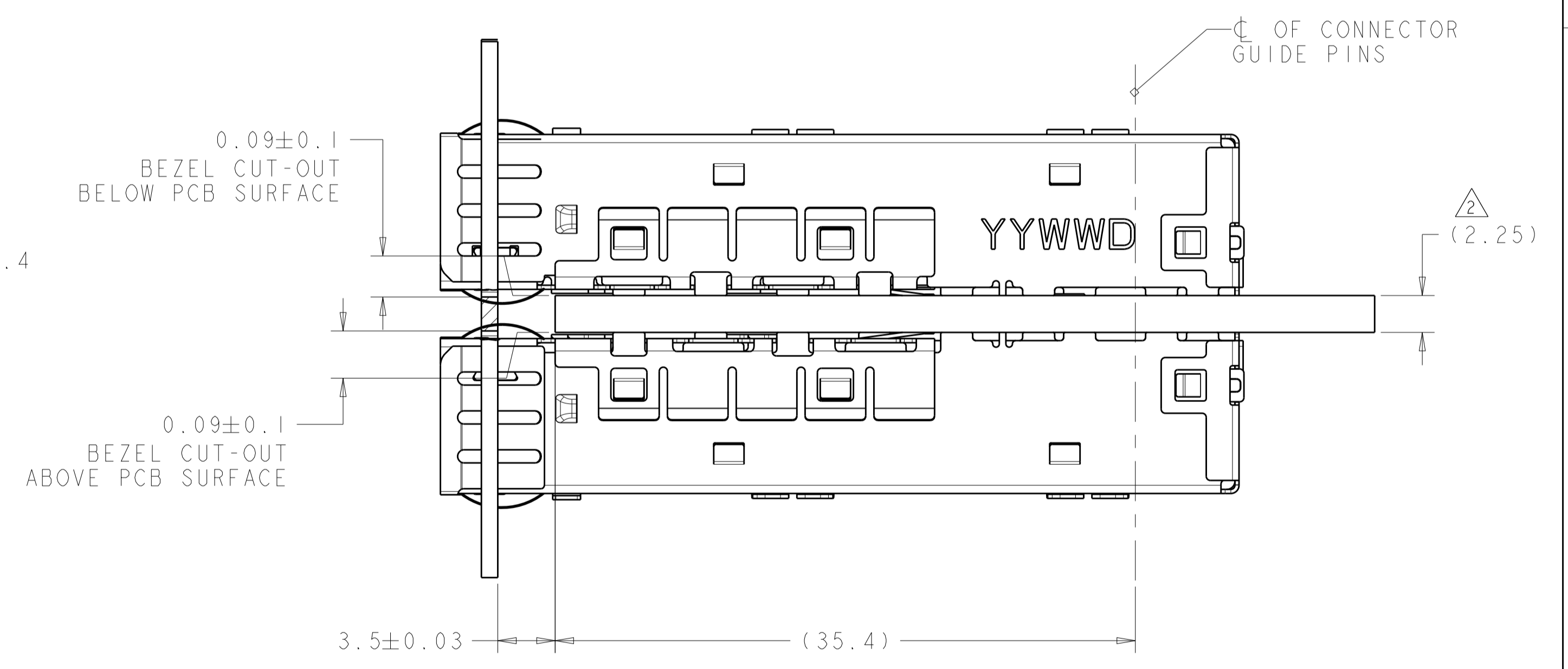
RECOMMENDED BEZEL OPENING
 SINGLE SIDED APPLICATIONS
 SCALE 2:1



MOUNTED ON PC BOARD
 SHOWN THRU RECOMMENDED BEZEL
 SCALE 4:1



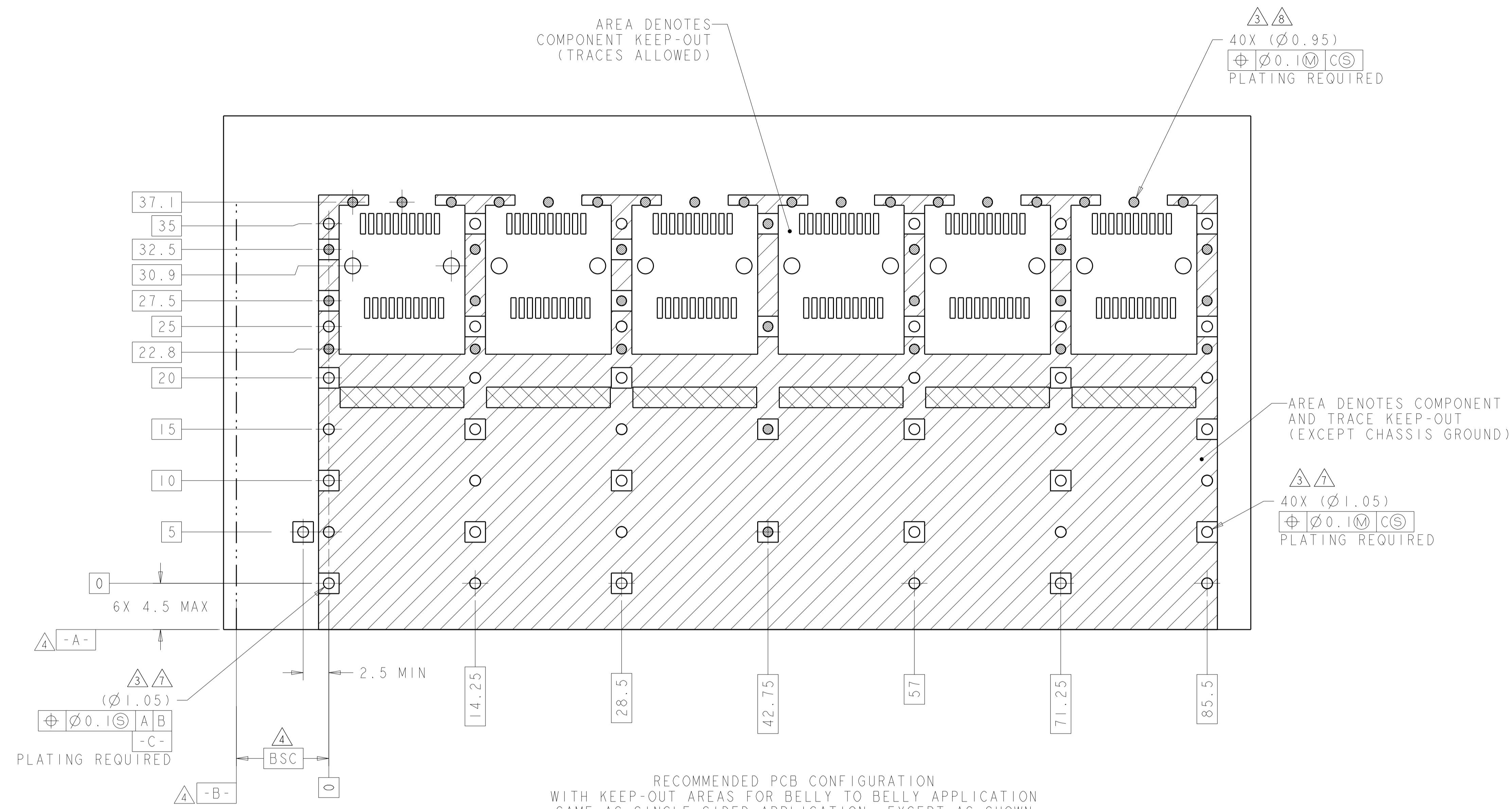
RECOMMENDED BEZEL OPENING
 BELLY TO BELLY APPLICATIONS
 SCALE 2:1



MOUNTED BELLY TO BELLY ON PC BOARD
 SHOWN THRU RECOMMENDED BEZEL
 SCALE 4:1

THIS DRAWING IS A CONTROLLED DOCUMENT. DIMENSIONING AND TOLERANCING PER ASME Y14.5M-2009		DMN C. VALENTINE 08MAR2013	TE Connectivity														
DIMENSIONS: mm		CHK M. PHILLIPS 08MAR2013															
TOLERANCES UNLESS OTHERWISE SPECIFIED:		APVD M. PHILLIPS 08MAR2013	NAME CAGE ASSEMBLY, ENHANCED, PRESS-FIT, 1X6, zSFP+														
<table border="1"> <tr> <td>0 PLC</td> <td>±0.1</td> </tr> <tr> <td>1 PLC</td> <td>±0.1</td> </tr> <tr> <td>2 PLC</td> <td>±0.08</td> </tr> <tr> <td>3 PLC</td> <td>±0.05</td> </tr> <tr> <td>4 PLC</td> <td>±0.05</td> </tr> <tr> <td>ANGLES</td> <td>±°</td> </tr> <tr> <td>FINISH</td> <td>±μm</td> </tr> </table>		0 PLC	±0.1	1 PLC	±0.1	2 PLC	±0.08	3 PLC	±0.05	4 PLC	±0.05	ANGLES	±°	FINISH	±μm	PRODUCT SPEC 108-2364	SIZE 114-13120
0 PLC	±0.1																
1 PLC	±0.1																
2 PLC	±0.08																
3 PLC	±0.05																
4 PLC	±0.05																
ANGLES	±°																
FINISH	±μm																
MATERIAL		APPLICATION SPEC	RESTRICTED TO														
		WEIGHT	A100779C=2227732														
		Customer Drawing	SCALE 1:1 SHEET 2 OF 4 REV B1														

LOC	DIST	REVISIONS			
P	LTN	DESCRIPTION	DATE	DMN	APVD
-	-	SEE SHEET 1	-	-	-



RECOMMENDED PCB CONFIGURATION
 WITH KEEP-OUT AREAS FOR BELLY TO BELLY APPLICATION
 SAME AS SINGLE SIDED APPLICATION, EXCEPT AS SHOWN
 SCALE 4:1

THIS DRAWING IS A CONTROLLED DOCUMENT. DIMENSIONING AND TOLERANCING PER ASME Y14.5M-2009		DMN: C. VALENTINE 08MAR2013 CHK: M. PHILLIPS 08MAR2013 APVD: M. PHILLIPS 08MAR2013	TE Connectivity NAME CAGE ASSEMBLY, ENHANCED, PRESS-FIT, 1X6, zSFP+
DIMENSIONS: mm 	TOLERANCES UNLESS OTHERWISE SPECIFIED: 0 PLC ±0.1 1 PLC ±0.1 2 PLC ±0.08 3 PLC ±0.05 4 PLC ± ANGLES ±°	PRODUCT SPEC: 108-2364 APPLICATION SPEC: 114-13120 WEIGHT: - Customer Drawing	