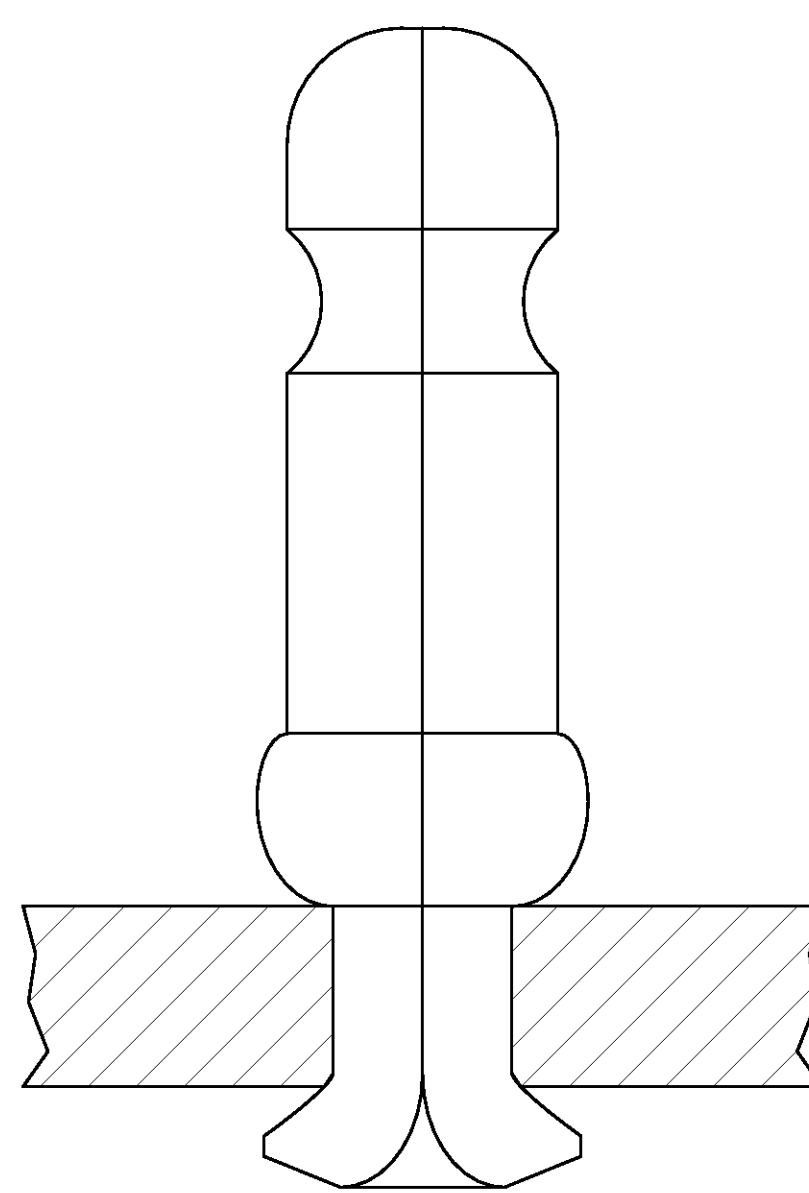
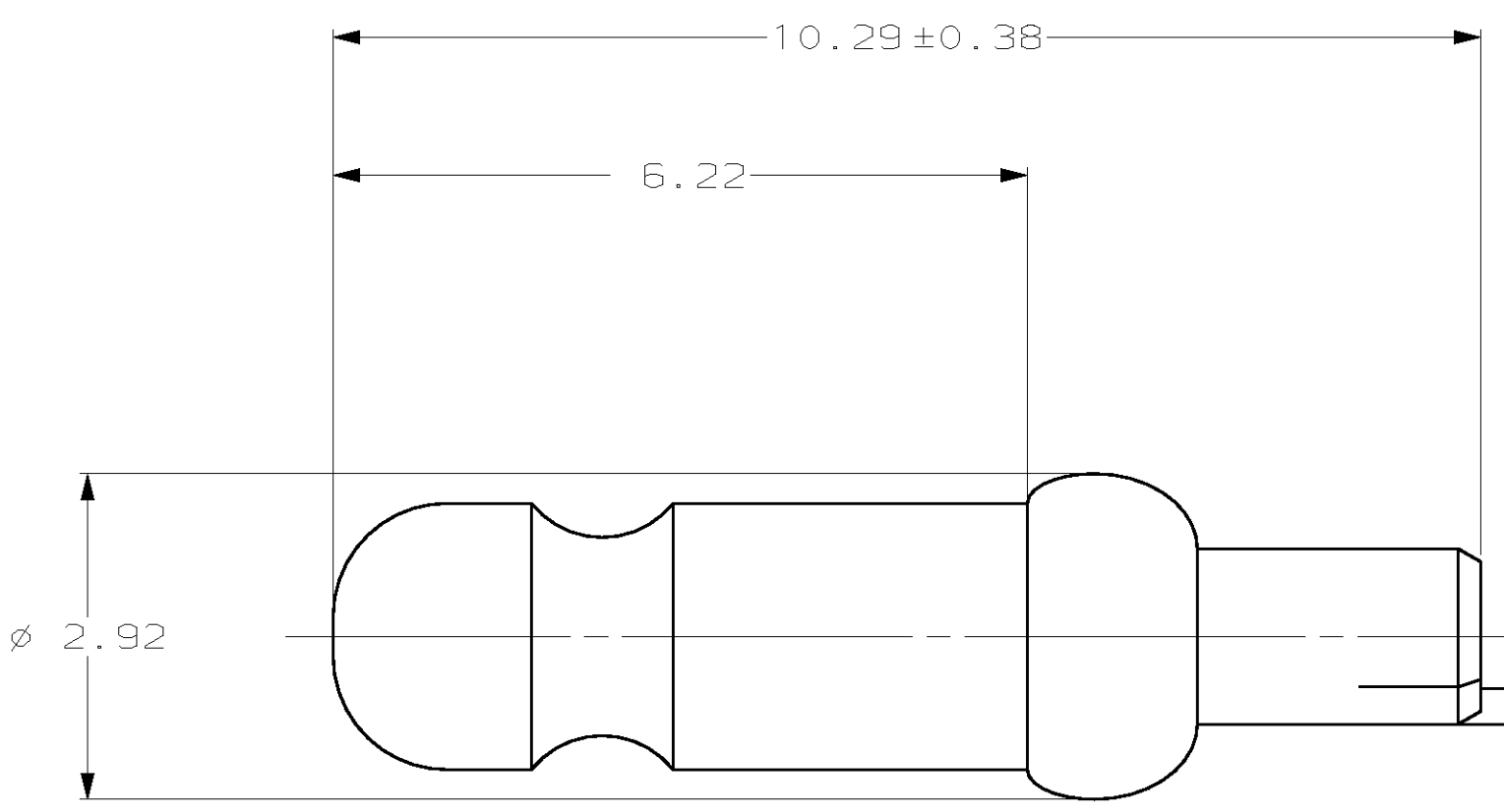
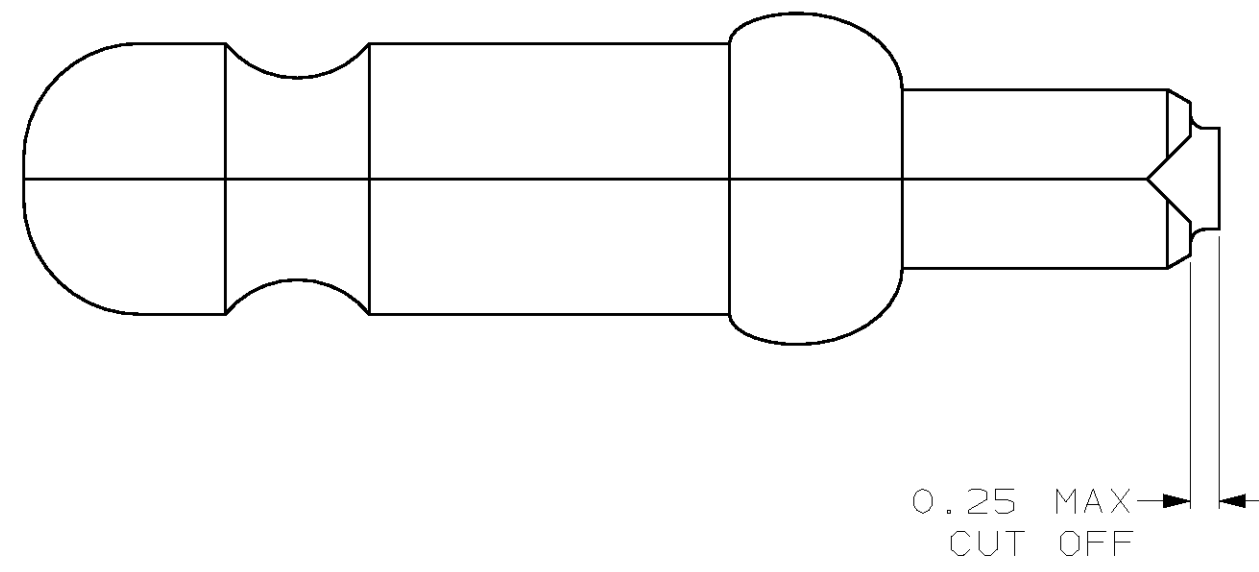


THIS DRAWING IS UNPUBLISHED. RELEASED FOR PUBLICATION
 (C) COPYRIGHT 19 BY AMP INCORPORATED. ALL RIGHTS RESERVED.

LOC		DIST		REVISIONS			
P	LTR	DESCRIPTION	DATE	DWN	APVD		
CM	52	K	REV & REDWN PER EC 0L30-0176-97	8-27-97	TB	RS	

1. FITS 1.70 - 1.85 DIAMETER HOLE IN A 1.57 PRINTED CIRCUIT BOARD.
2. PARTS TO COMPLY WITH AMP SOLDERABILITY SPECIFICATION 109-11-1.



350491-1
PART NUMBER

MM	IN	MM	IN	MM	IN	MM	IN
0.38	.015	2.34	.092	3.18	.125	-	-
0.32	.013	1.85	.073	2.92	.115	-	-
0.25	.010	1.70	.067	2.44	.096	10.29	.405
0.13	.005	1.57	.062	2.36	.093	6.22	.245

CONVERSION TABLE

METRIC

THIS DRAWING IS A CONTROLLED DOCUMENT.		DWN T. BECK 8-27-97	AMP Incorporated Harrisburg, PA 17105-3608	
DIMENSIONS: mm		CHK R. SWING 8-27-97	AMP	
TOLERANCES UNLESS OTHERWISE SPECIFIED:		APVD A. BEDDICK 9-10-97	NAME PIN, .093 DIAMETER, PHOSPHER BRONZE, CLINCH FIT, LOOSE PIECE, P.C. CONTACT	
0 PLC ± 1 PLC ± 2 PLC ±0.13 3 PLC ± 4 PLC ±		PRODUCT SPEC 108-1025	SIZE A2	
MATERIAL 0.32 PH BRZ		APPLICATION SPEC 114-1008	CAGE CODE 00779	DRAWING NO C-350491
FINISH PRE TIN		WEIGHT -	RESTRICTED TO -	SCALE 15:1
CUSTOMER DRAWING		SHEET 1 OF 1		REV K

350491