

4

3

2

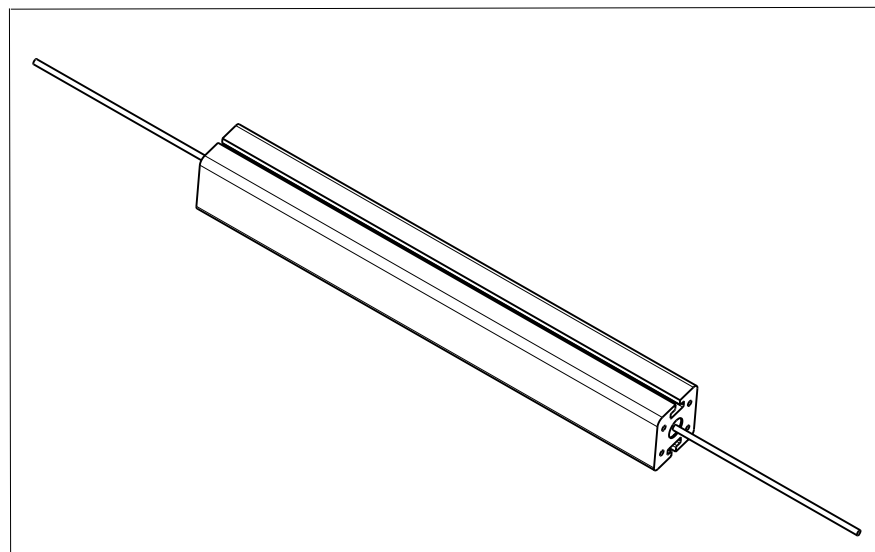
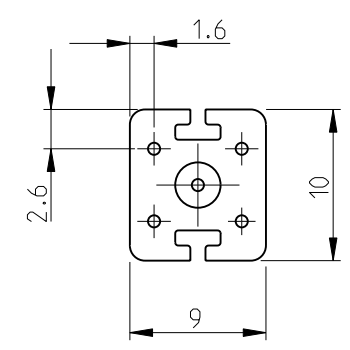
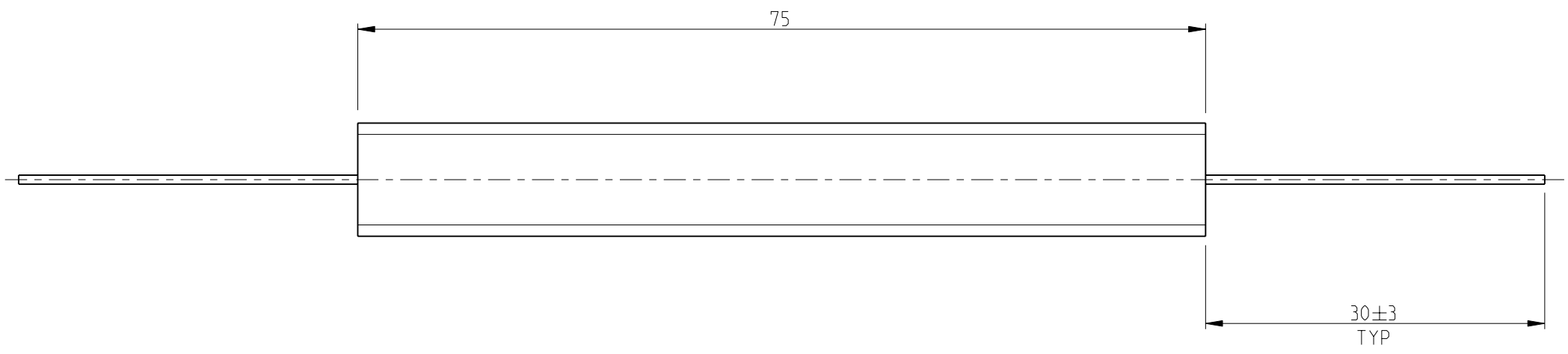
1

THIS DRAWING IS UNPUBLISHED. RELEASED FOR PUBLICATION 2008

© COPYRIGHT 2008 BY TYCO ELECTRONICS CORPORATION. ALL RIGHTS RESERVED.

LOC	DIST	REVISIONS			
P	LTR	DESCRIPTION	DATE	DWN	APVD
E	B	BA	NEW RELEASE	26JULY2010	PT St.P

FOR FURTHER INFORMATION SEE DATA SHEET FOR SERIES TYPE SBC(SQUARE CERAMIC), HIGH POWER RESISTORS



RoHS Compliant

<small>THIS DRAWING IS A CONTROLLED DOCUMENT FOR TYCO ELECTRONICS CORPORATION IT IS SUBJECT TO CHANGE AND THE CONTROLLING ENGINEERING ORGANIZATION SHOULD BE CONTACTED FOR THE LATEST REVISION.</small>		DWN 26JULY2010 PARUSURAM.T	Tyco Electronics Corporation Dorcan, Swindon, SN3 5HH	
DIMENSIONS: mm		CHK 26JULY2010 STEPHEN.P	NAME HIGH POWER RESISTOR TYPE SBC (SQUARE CERAMIC) SERIES SBCH 15	
		APVD 26JULY2010 STEPHEN.P	PRODUCT SPEC -	
TOLERANCES UNLESS OTHERWISE SPECIFIED: 0 PLC ±0.2 1 PLC ±0.1 2 PLC ± 3 PLC ± 4 PLC ± ANGLES ±5°		APPLICATION SPEC -		
MATERIAL -		WEIGHT 15g		SIZE A3 CAGE CODE 00779 DRAWING NO C=1623723
FINISH -		CUSTOMER DRAWING		RESTRICTED TO - SCALE 3:1 SHEET 1 OF 1 REV BA