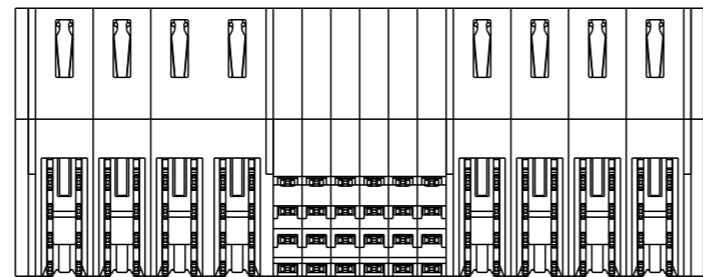
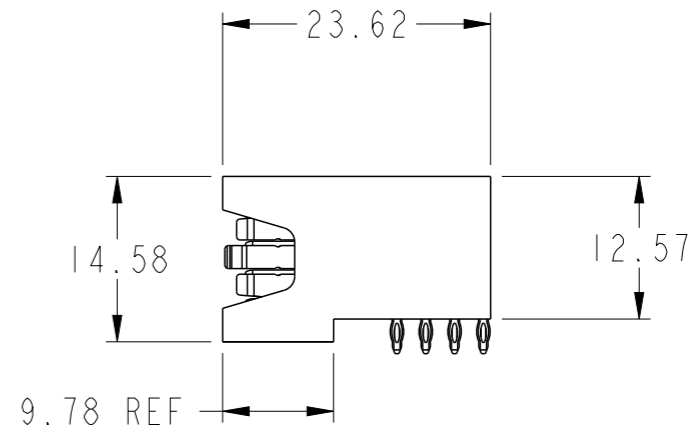
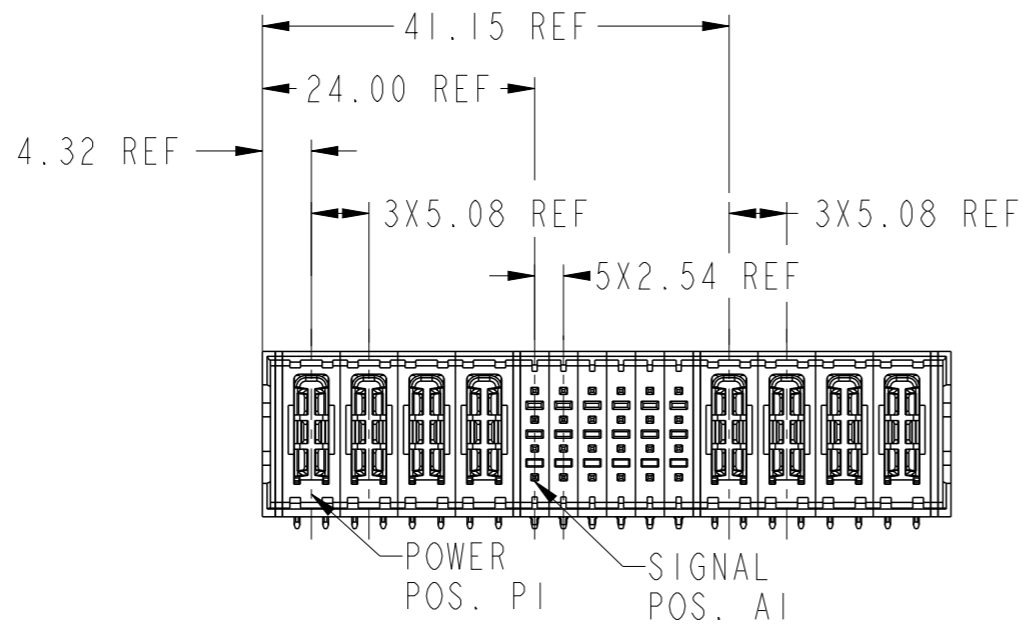
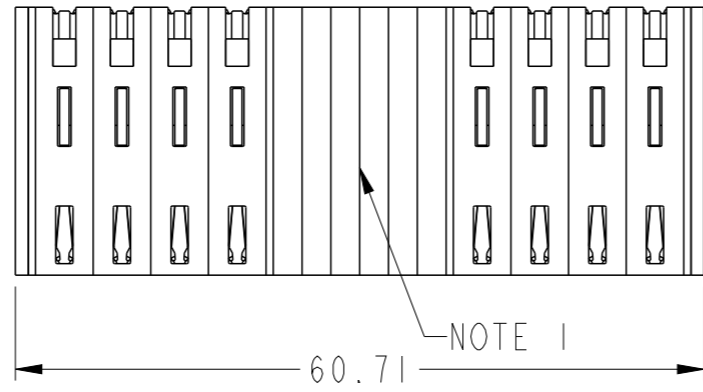


PRODUCT NUMBER SEE SHEET 2

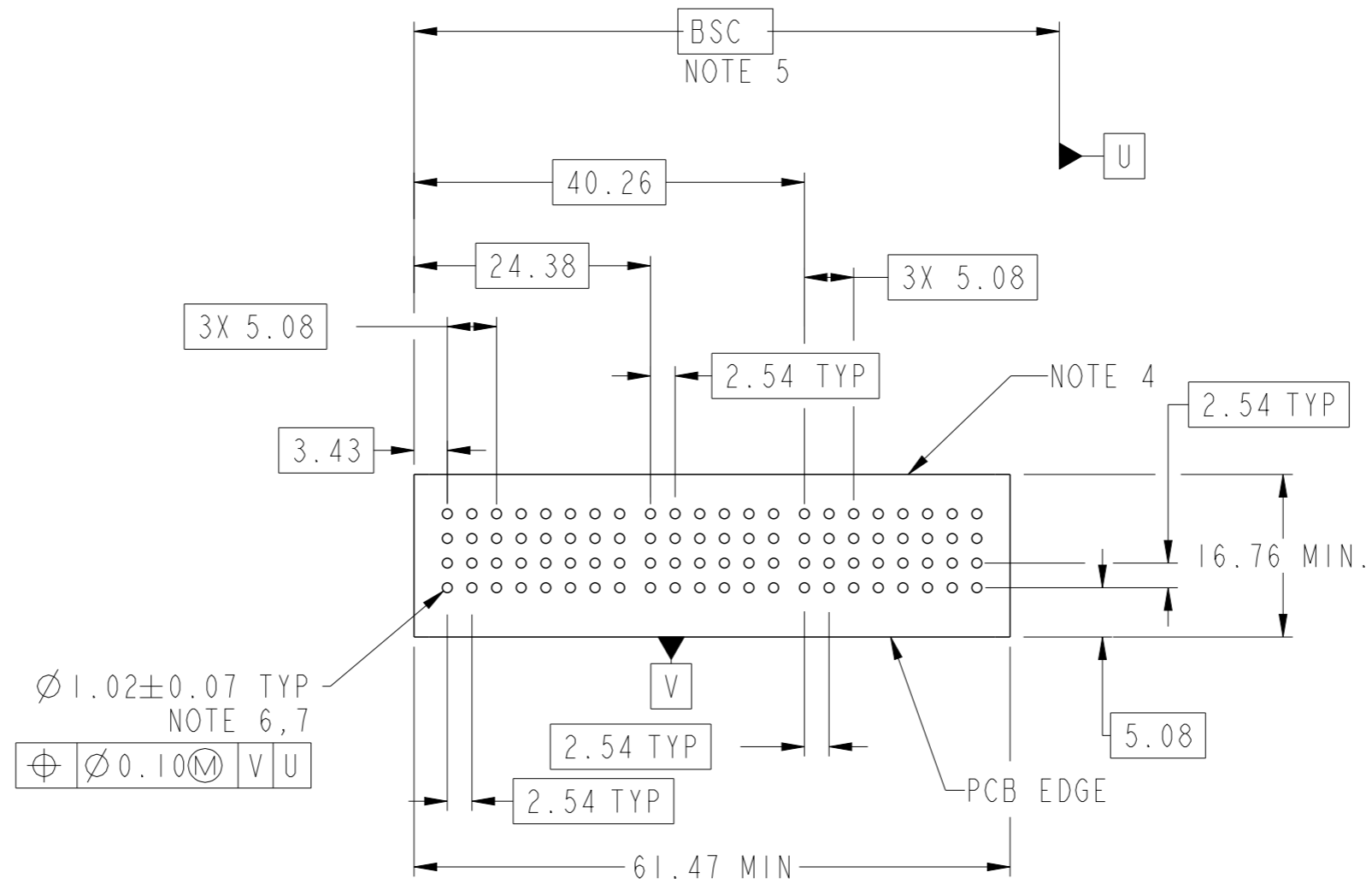


spec ref	*	dr	Eddy Zeng	2014/04/13	projection	MM	size	A3	scale	3:2
tolerance std	ASME Y14.5	eng	Eddy Zeng	2014/05/06			ecn no	-	rel level	Released
TOLERANCES UNLESS OTHERWISE SPECIFIED		chr	Li-He	2014/05/06						
surface	<input checked="" type="checkbox"/> linear <input type="checkbox"/> angular	0.X ±0.5 0.XX ±0.25 0.XXX ±0.10	appr	Pei-Ming Zheng	2014/05/06	4HP + 24S + 4HP RA PF HEADER		dwg no 10106133-8006001	rev A	
ASME Y14.5	angular	0° ±2°	www.fci.com		cat. no.	Product - Customer Drw		sheet 1 of 3		



Copyright FCI.

PRODUCT NO.	ROWS	HIGH POWER				SIGNAL						HIGH POWER				E2																			
		E1	P1	P2	P3	P4	1	2	3	4	5	6	P5	P6	P7		P8																		
10106133-8006001LF	D C B A	HE	HE	HE	HE	SD	SD	SD	SD	SD	SD	SD	SC	SC	SC	SC	SC	SC	SC	SC	SB	SB	SB	SB	SB	SA	SA	SA	SA	SA	SA	SA	SA	SA	SA



CODE	DESCRIPTION
HE	STD HIGH POWER CONTACT (3.05)
SA	STD SIGNAL CONTACT, ROW A (3.05)
SB	STD SIGNAL CONTACT, ROW B (3.05)
SC	STD SIGNAL CONTACT, ROW C (3.05)
SD	STD SIGNAL CONTACT, ROW D (3.05)

dr	Eddy Zeng	2014/04/13	projection	MM	size	A3	scale	3:2	
eng	Eddy Zeng	2014/05/06			ecn no		-		
chr	Li-He	2014/05/06			rel level		Released		
appr	Pei-Ming Zheng	2014/05/06	product family		PwrBlade+		rel level		
			4HP + 24S + 4HP			cat. no.		Product - Customer Drw	
www.fci.com			RA PF HEADER			dwg no		10106133-8006001	
sheet 2 of 3			rev			A		sheet 2 of 3	

Copyright FCI.

NOTES:

- 1) "FCI", PART NUMBER AND DATE CODE TO BE MARKED ON THIS SURFACE.  
THE MARK CAN BE OMITTED IF THERE IS NOT ENOUGH SPACE ON THIS SURFACE.
- 2) MATERIALS:  
-HOUSING - GLASS FILLED WITH HIGH TEMP THERMOPLASTIC, UL94V-0.  
-SIGNAL CONTACT - COPPER ALLOY.  
-POWER CONTACT - HIGH CONDUCTIVITY COPPER ALLOY.
- 3) PLATING SPECIFICATION REFER TO FCI 10116351
- 4) DENOTES CONNECTOR KEEP OUT ZONE.
- 5) DATUM AND BASIC DIMENSIONS WERE ESTABLISHED BY CUSTOMER.
- 6) ALL HOLE DIAMETERS ARE FINISHED HOLE SIZES.
- 7) 1.15±0.025MM DRILLED HOLE PLATED WITH 0.00762MM MIN Sn  
OVER 0.0254-0.0762MM Cu PLATING TO ACHIEVE A 1.02±0.07MM HOLE.
- 8) PRODUCT SPECIFICATION REFER TO FCI GS-12-658.  
APPLICATION SPECIFICATION REFER TO FCI GS-20-141.  
PRODUCT PACKAGED IN TRAYS, REFER TO FCI GS-14-1502.



Copyright FCI.

dr	Eddy Zeng	2014/04/13	projection 	MM ←→	size	A3	scale	3:2	
eng	Eddy Zeng	2014/05/06			ecn no	-			
chr	Li-He	2014/05/06			rel level	Released			
appr	Pei-Ming Zheng	2014/05/06	product family	PwrBlade+					
		4HP + 24S + 4HP			dwg no	10106133-8006001		rev	A
www.fci.com		cat. no.	Product - Customer Drw		sheet 3 of 3				