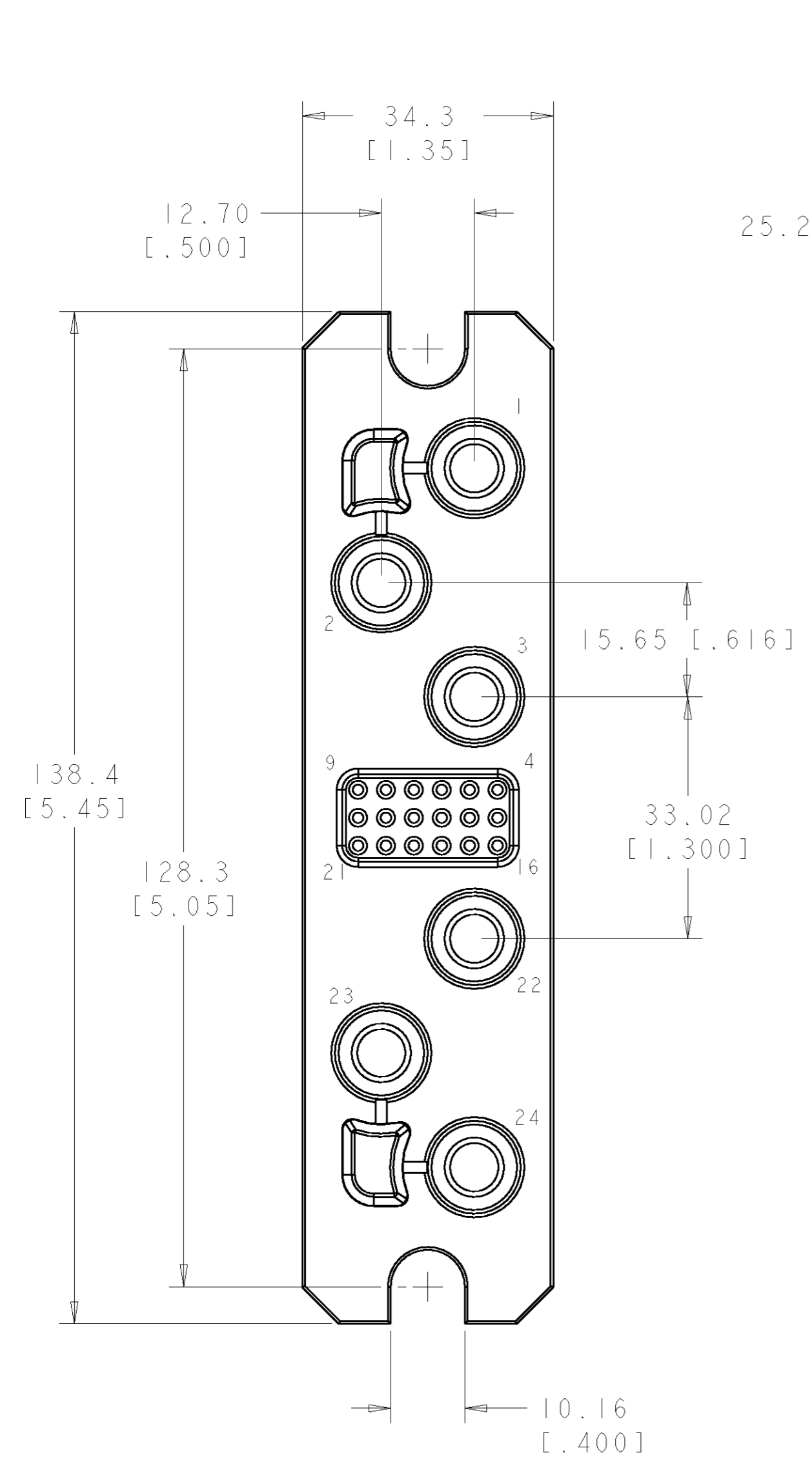


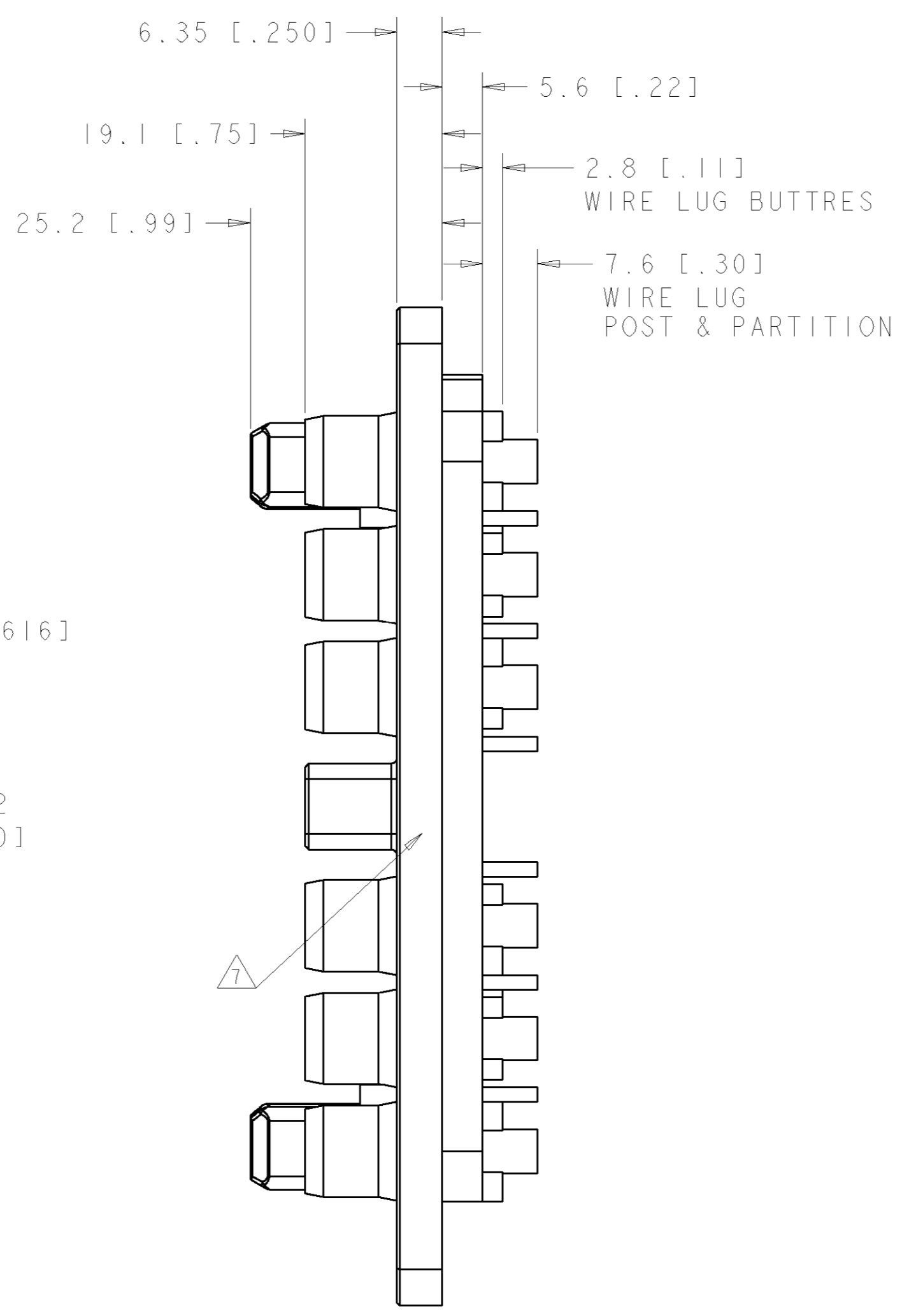


THIS DRAWING IS UNPUBLISHED. RELEASED FOR PUBLICATION 20  
 © COPYRIGHT 20 BY TYCO ELECTRONICS CORPORATION. ALL RIGHTS RESERVED.

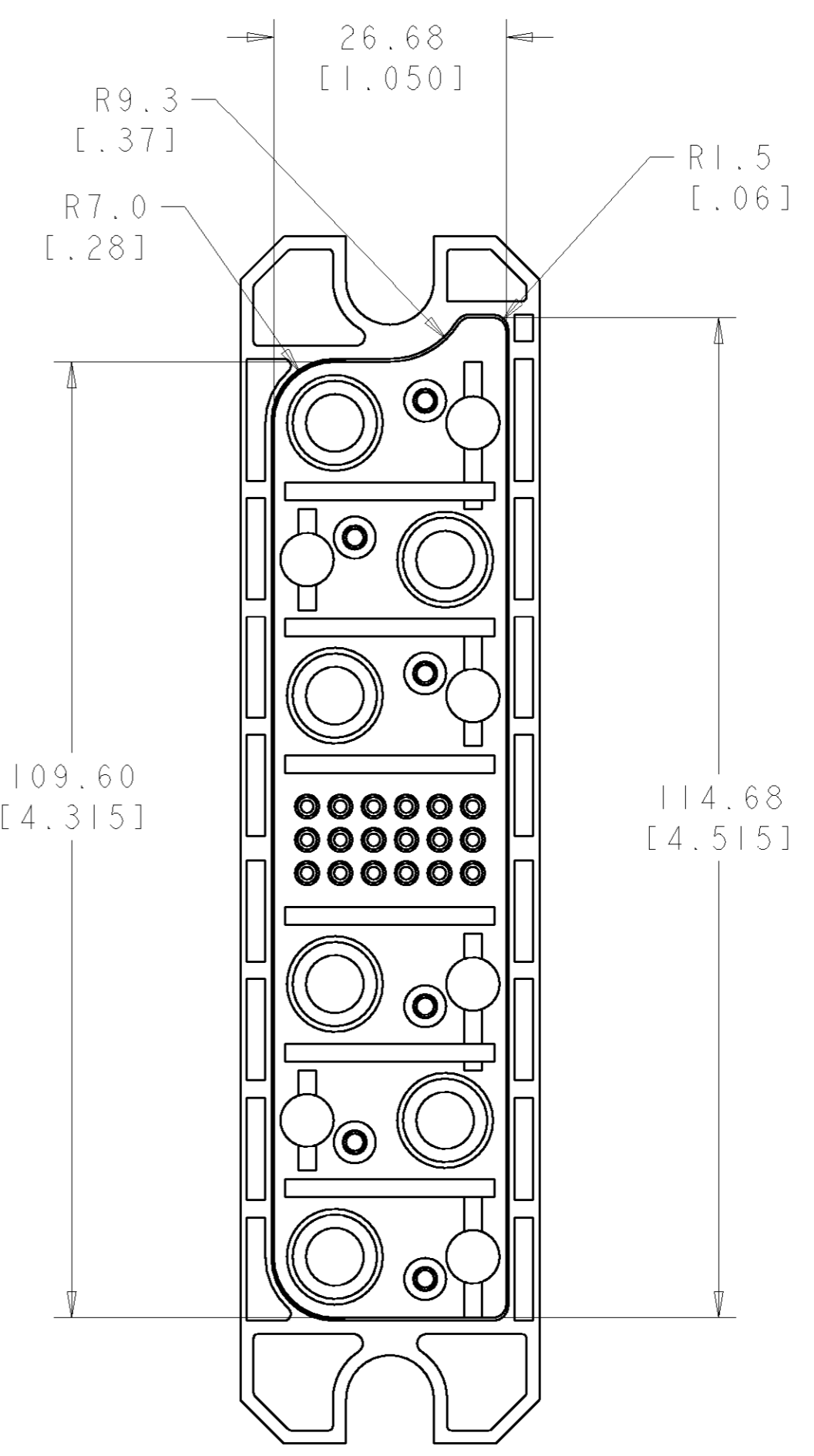
LOC	DIST	REVISIONS					
GP	00	P	LTR	DESCRIPTION	DATE	DWN	APVD
		-		SEE SHEET 1			



CONNECTOR TOP VIEW



CONNECTOR SIDE VIEW



CONNECTOR BOTTOM VIEW

<small>THIS DRAWING IS A CONTROLLED DOCUMENT FOR TYCO ELECTRONICS CORPORATION                  IT IS SUBJECT TO CHANGE AND THE CONTROLLING ENGINEERING ORGANIZATION                  SHOULD BE CONTACTED FOR THE LATEST REVISION.</small>		DWN HA/GRZYBOWSKI 23MAY2006 CHK P. DAMATO 23MAY2006 APVD CHAU/FELICKINGER 23MAY2006	<b>tyco</b> Tyco Electronics Harrisburg, PA 17105-3608 <b>Electronics</b>
DIMENSIONS: mm [ INCHES ]	TOLERANCES UNLESS OTHERWISE SPECIFIED: 0 PLC ± 1 PLC ±0.5 [0.02] 2 PLC ±0.25 [0.010] 3 PLC ± 4 PLC ± ANGLES ±2 FINISH	NAME CONNECTOR, SOCKET, CUSTOM DRAWER PRODUCT SPEC - APPLICATION SPEC - WEIGHT -	PN 6651586-2 SIZE A2 CAGE CODE 00779 DRAWING NO. C-6651586 RESTRICTED TO - SCALE 2:1 SHEET 2 OF 2 REV B
MATERIAL		CUSTOMER DRAWING	