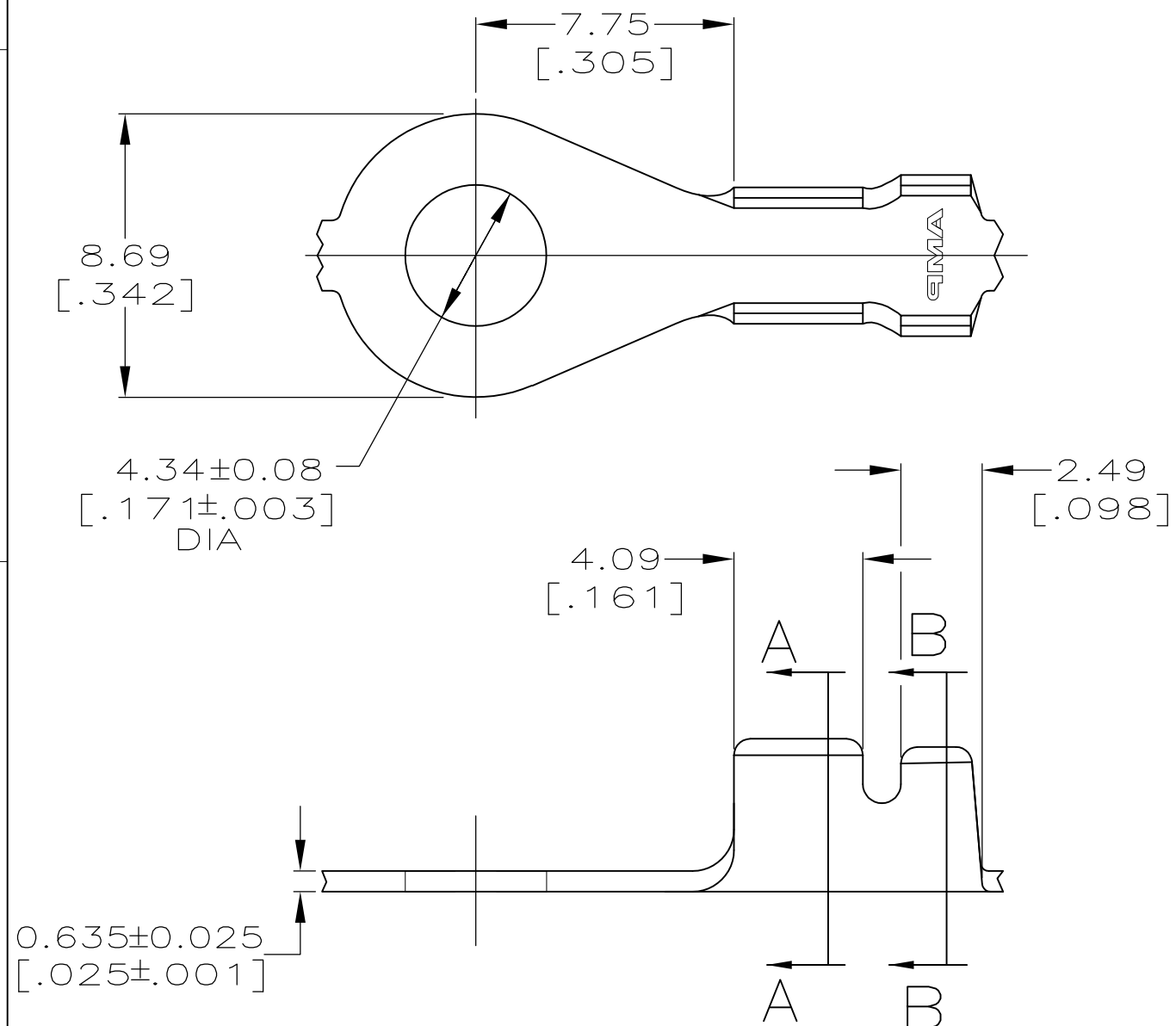
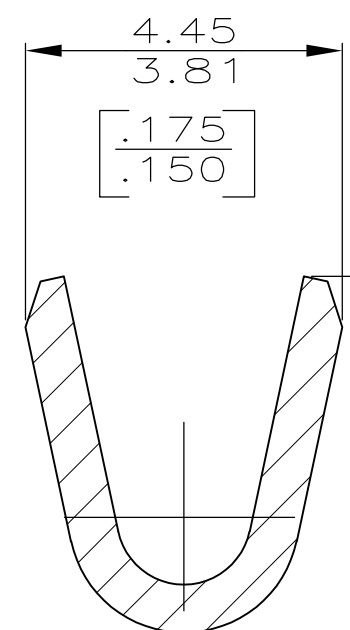


THIS DRAWING IS UNPUBLISHED. RELEASED FOR PUBLICATION
 © COPYRIGHT BY TYCO ELECTRONICS CORPORATION. ALL INTERNATIONAL RIGHTS RESERVED.

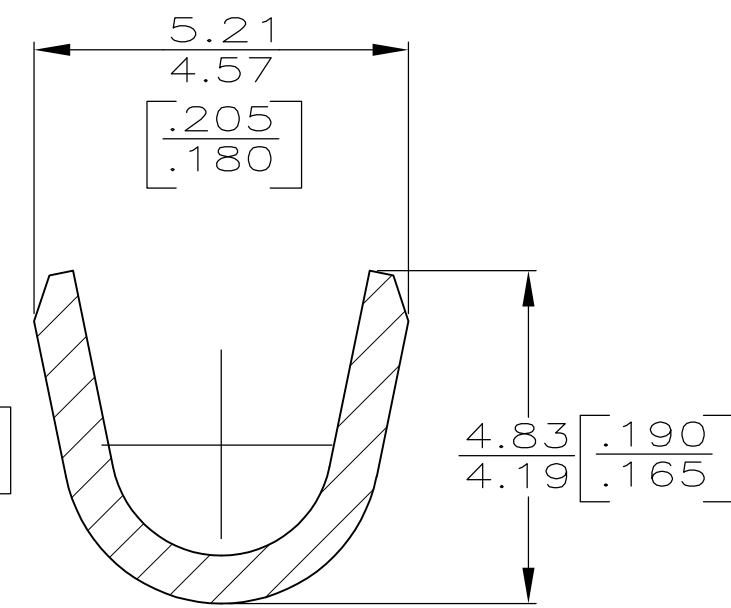
LOC	DIST	REVISIONS					
AF	50	P	LTR	DESCRIPTION	DATE	DWN	APVD
			W	REVISED PER ECR-10-006099	07JUL10	HMR	PD



1. CONTINUOUS STRIP ON REEL.



SECTION A-A
 SCALE 10:1



SECTION B-B
 SCALE 10:1

2.54-3.56 DIA [.100-.140]	[18-14] AWG	60024-2
INSULATION RANGE	WIRE RANGE	PART NO

THIS DRAWING IS A CONTROLLED DOCUMENT.		DWN 07/APR/95 PHILLIP M FORTNEY	Tyco Electronics Corporation Harrisburg, PA 17105-3608	
DIMENSIONS: mm [INCHES]		CHK 07/APR/95 JEFF R RUTH	NAME	
TOLERANCES UNLESS OTHERWISE SPECIFIED:		APVD 07/APR/95 GARY YETTER	RING	
0 PLC ± - 1 PLC ± - 2 PLC ± 0.25 [.010] 3 PLC ± - 4 PLC ± - ANGLES ± -		PRODUCT SPEC 07/APR/95 MARK BARNABA	RESTRICTED TO	
MATERIAL	FINISH	APPLICATION SPEC	SIZE	CAGE CODE
082 BRASS	TIN	WEIGHT -	A3	00779
CUSTOMER DRAWING			DRAWING NO	RESTRICTED TO
			C-60024	-
			SCALE 5:1	SHEET 1 OF 1
			REV W	