

THIS DRAWING IS UNPUBLISHED.

RELEASED FOR PUBLICATION

© COPYRIGHT

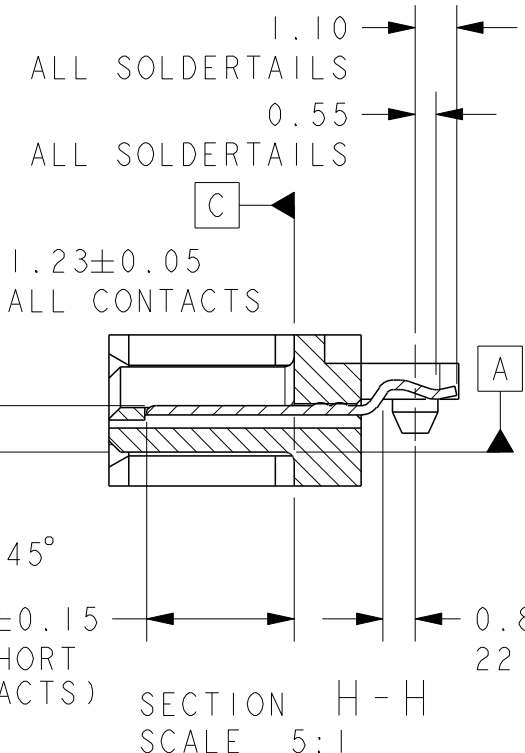
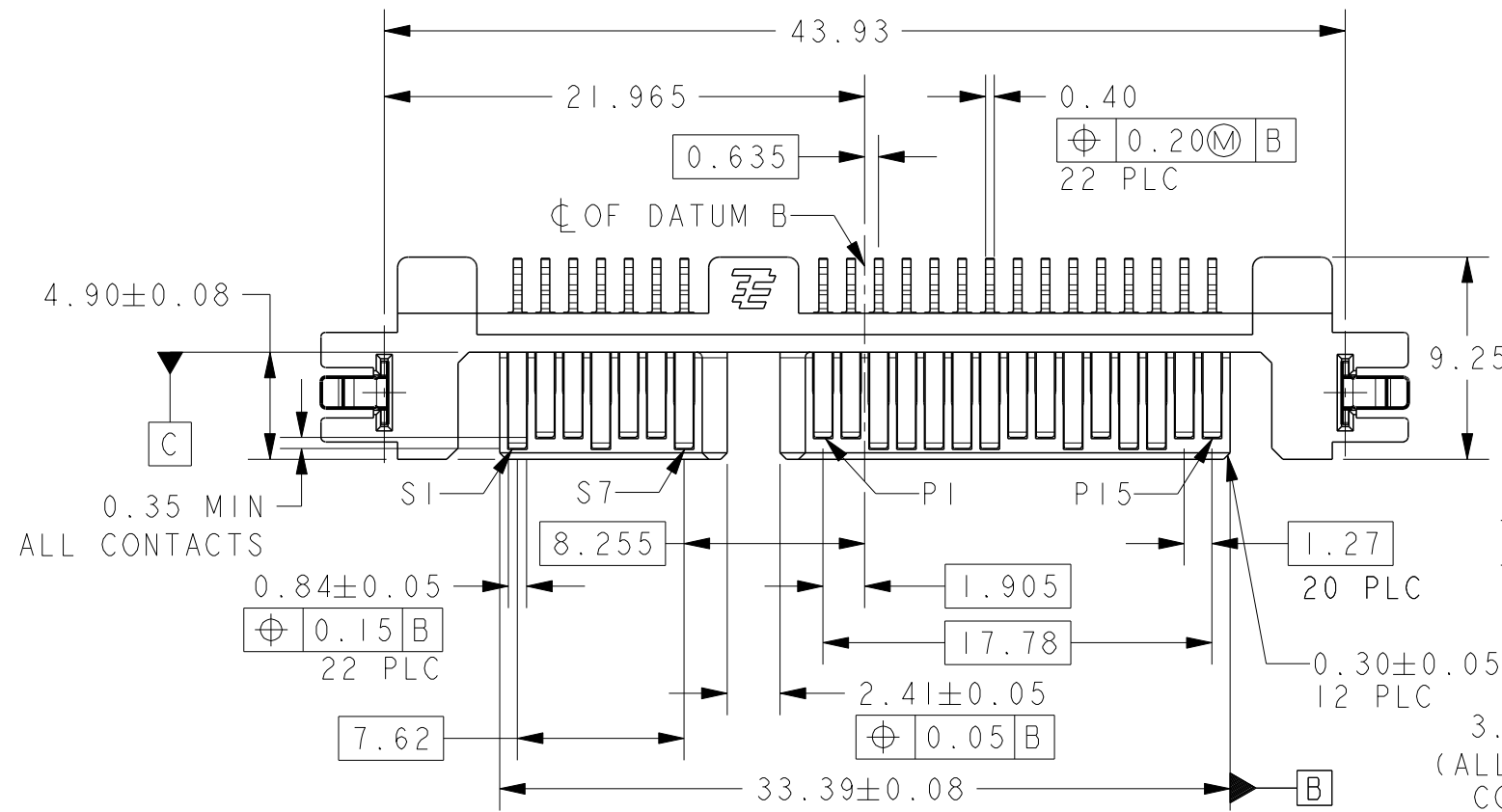
ALL RIGHTS RESERVED.

LOC
DY

DIST
-

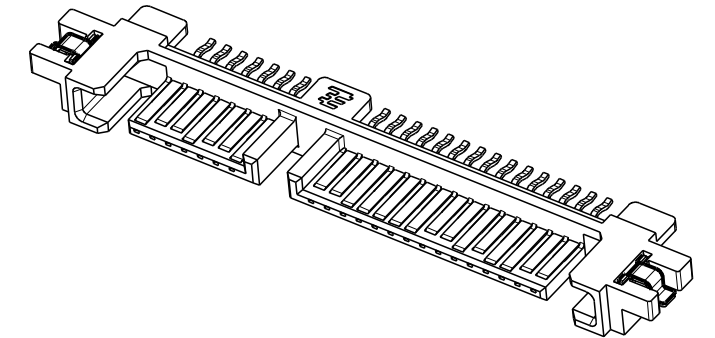
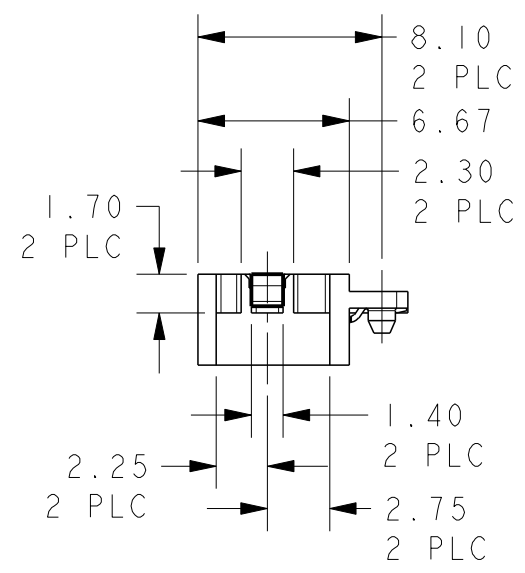
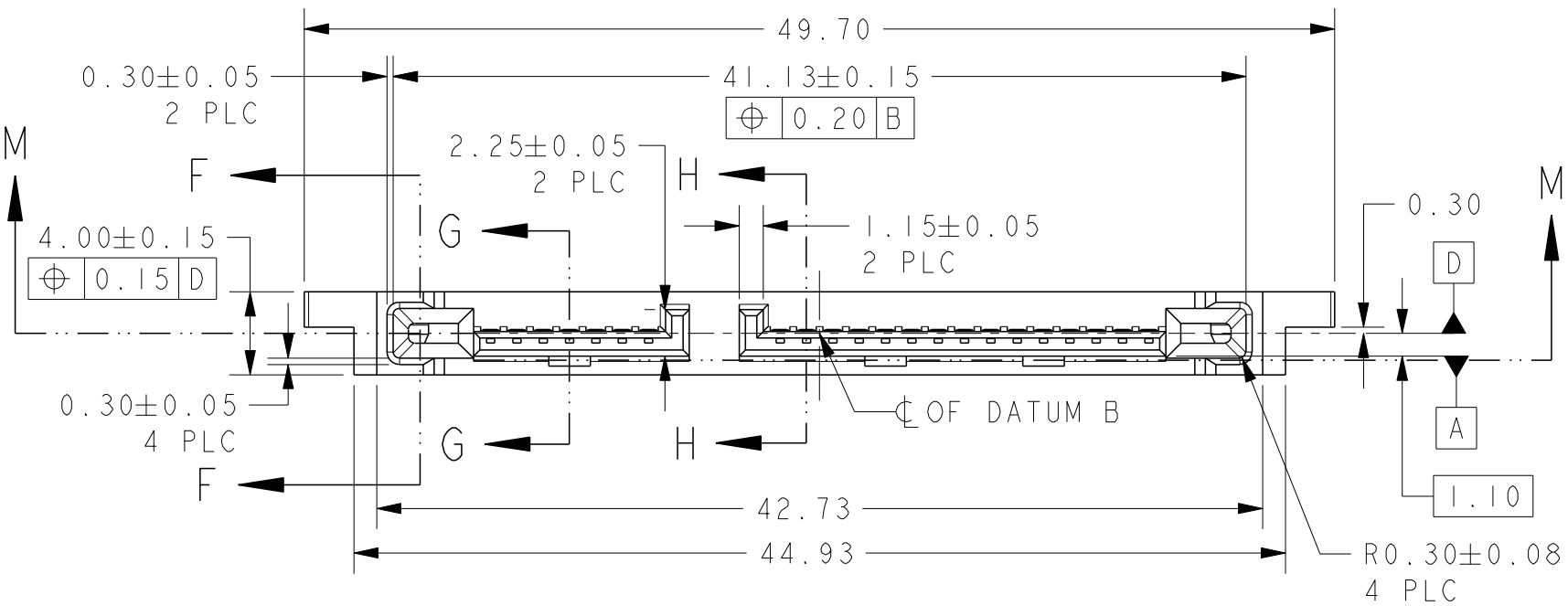
REVISIONS

P	LTR	DESCRIPTION	DATE	DWN	APVD
	CI	REVISED ECR-11-023087	11NOV2011	JC	LSF



NOTES:

- MATERIAL
HOUSING: HIGH TEMPERATURE THERMOPLASTICS, GLASS FILLED, BLACK, UL94V-0, REGRIND 25% MAXIMUM
CONTACT: COPPER ALLOY
SOLDER PEG: COPPER ALLLOY
- FINISH
CONTACT: "A" MIN GOLD ON MATING AREA AND 2.54µm MIN MATTE TIN (LEAD-FREE) ON SOLDER AREA
BOTH OVER 1.27µm MIN NICKEL ENTIRE
SOLDER PEG: 2.54µm MIN TIN (LEAD-FREE) OVER 1.27µm MIN NICKEL ENTIRE
- CAVITY NO LOCATED AT APPROXIMATE AREA AS SHOWN
- DATE CODE



ISOMETRIC VIEW SCALE 2:1

0.76µm	1735783-3
0.38µm	1735783-2
0.05µm	1735783-1
"A"	PART NO.

THIS DRAWING IS A CONTROLLED DOCUMENT.

DWN 05JAN09
JASON CHOW
CHK AP TAY
APVD SE LEONG
PRODUCT SPEC 108-51052
APPLICATION SPEC -
WEIGHT 1.43g



SLIMLITE SATA PLUG, 15+7P, SMT

DIMENSIONS:	TOLERANCES UNLESS OTHERWISE SPECIFIED:
mm	
	0 PLC ±-
	1 PLC ±0.20
	2 PLC ±0.20
	3 PLC ±0.20
	4 PLC ±-
	ANGLES ±2°
MATERIAL	FINISH

SIZE	CAGE CODE	DRAWING NO	RESTRICTED TO
A3	00779	C-1735783	-

CUSTOMER DRAWING SCALE 3:1 SHEET 1 OF 3 REV CI

P/N: 1735783-1, -2, -3 AS SHOWN

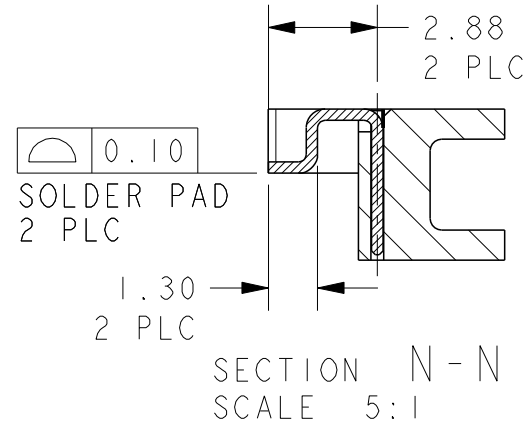
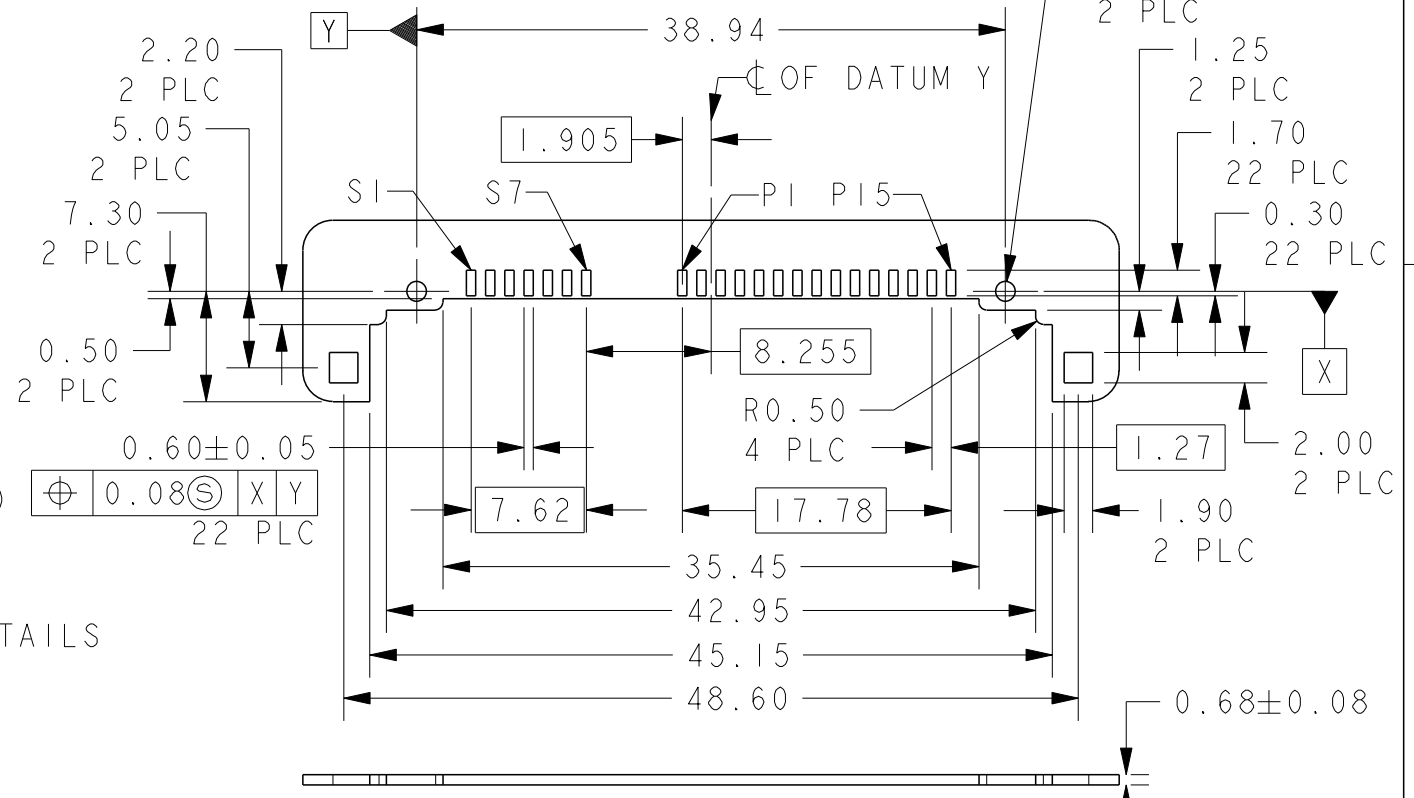
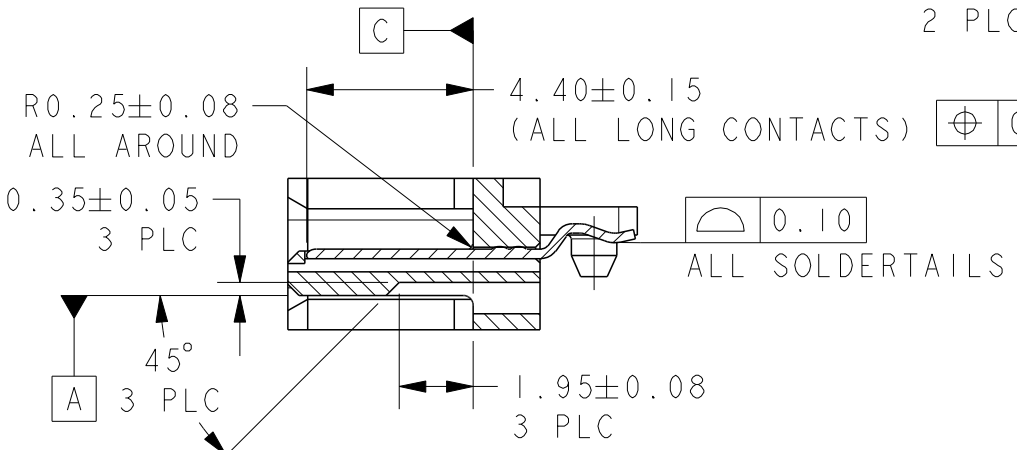
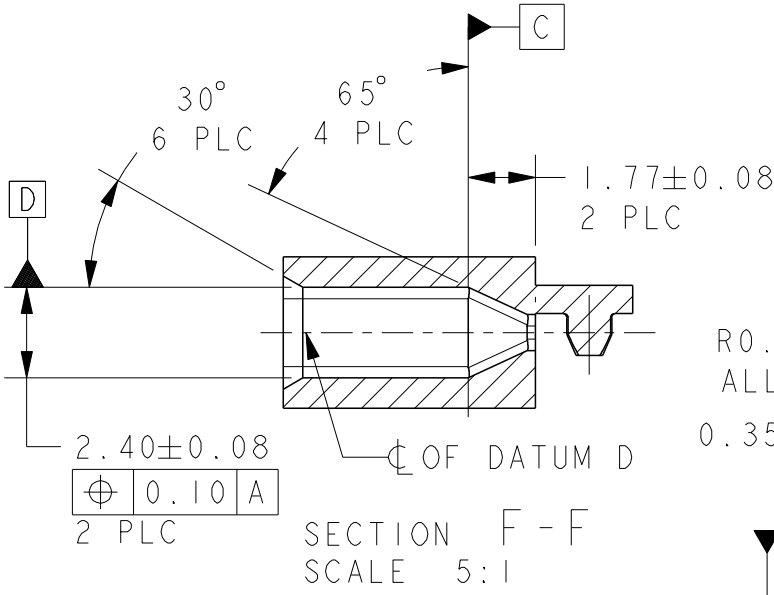
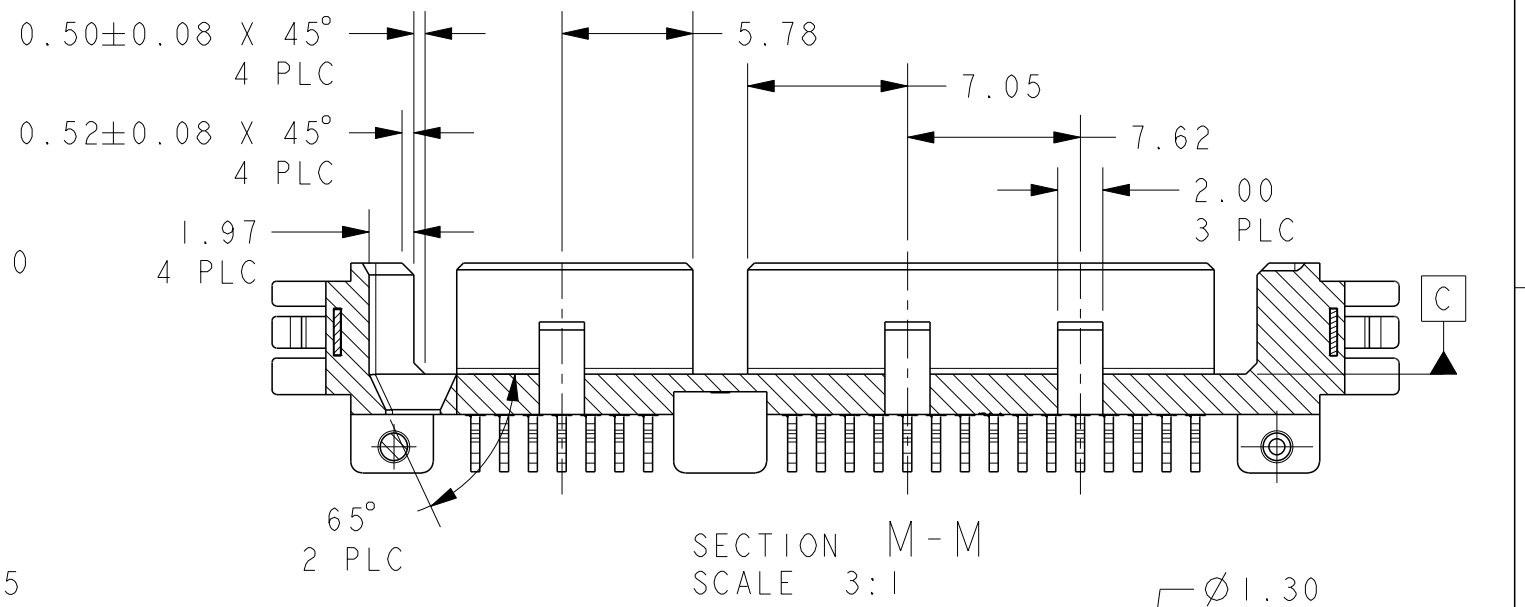
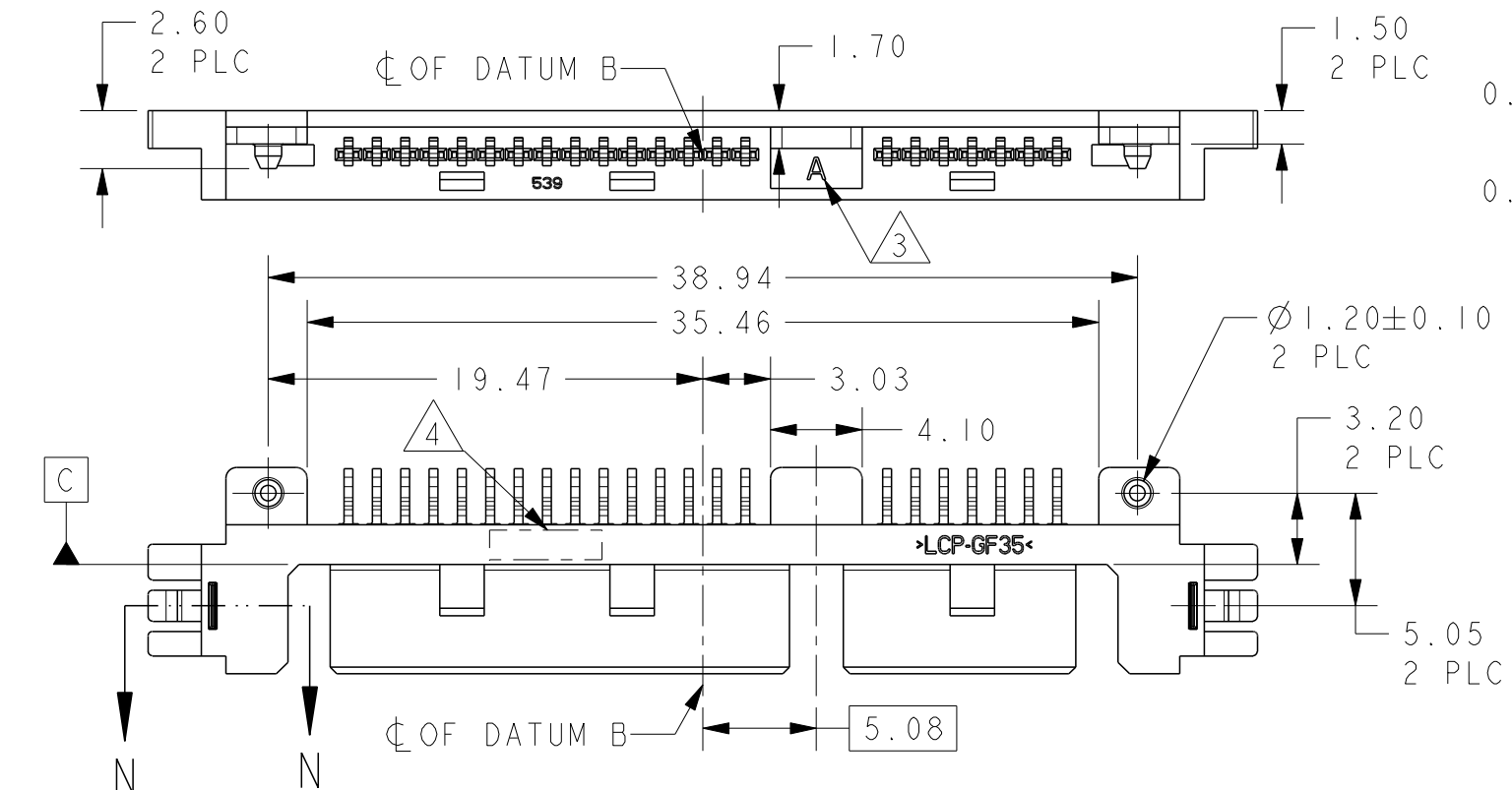
THIS DRAWING IS UNPUBLISHED.

RELEASED FOR PUBLICATION




© COPYRIGHT

ALL RIGHTS RESERVED.

LOC	DIST	REVISIONS					
DY	-	P	LTR	DESCRIPTION	DATE	DWN	APVD
				SEE SHEET 1			



PCB LAYOUT
RECOMMENDED PCB TOLERANCE: ±0.05
SCALE 2:1

THIS DRAWING IS A CONTROLLED DOCUMENT.		DWN	05JAN09		 TE Connectivity				
DIMENSIONS: mm		CHK	JASON CHOW			NAME			
TOLERANCES UNLESS OTHERWISE SPECIFIED:		APVD	AP TAY						
0 PLC ±- 1 PLC ±0.20 2 PLC ±0.20 3 PLC ±0.20 4 PLC ±- ANGLES ±2°		PRODUCT SPEC	SF LEONG			SLIMLITE SATA PLUG, 15+7P, SMT			
MATERIAL		APPLICATION SPEC	108-51052						
FINISH		WEIGHT	1.43g		SIZE	CAGE CODE	DRAWING NO	RESTRICTED TO	
 1		 2		A300779		C-1735783		-	
CUSTOMER DRAWING				SCALE	3:1	SHEET	2 OF 3	REV	CI

P/N: 1735783-1, -2, -3 AS SHOWN

THIS DRAWING IS UNPUBLISHED.

RELEASED FOR PUBLICATION

© COPYRIGHT

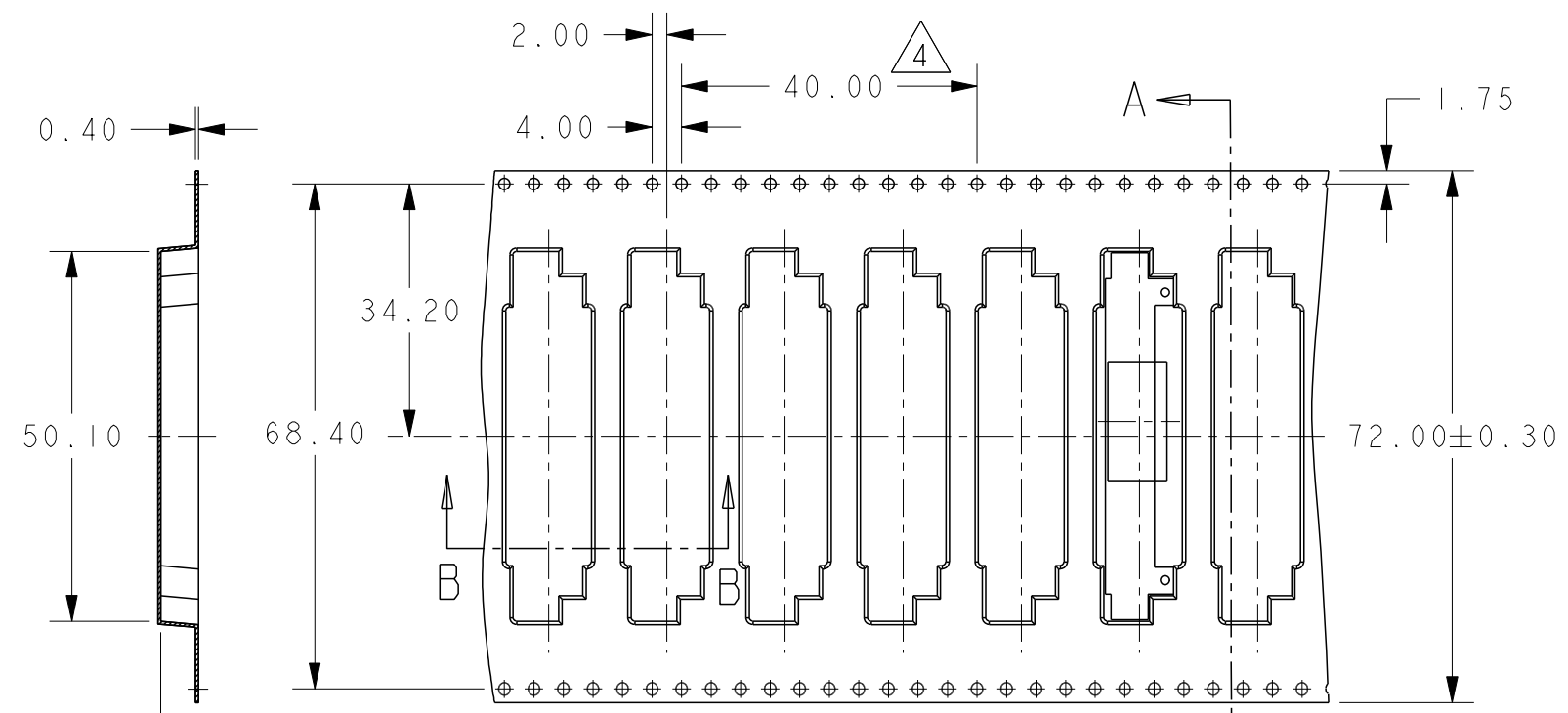
ALL RIGHTS RESERVED.

LOC
DY

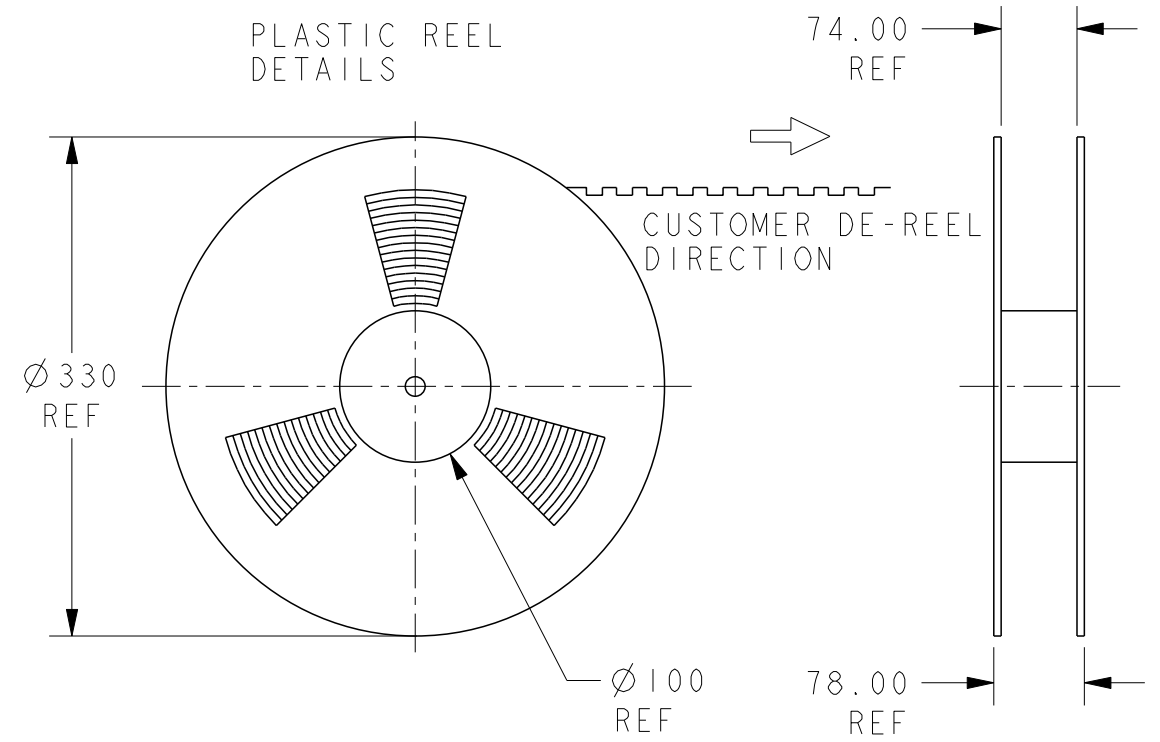
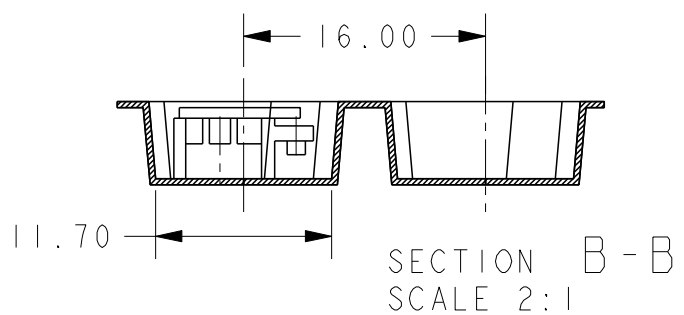
DIST
-

REVISIONS

P	LTR	DESCRIPTION	DATE	DWN	APVD
		SEE SHEET 1			

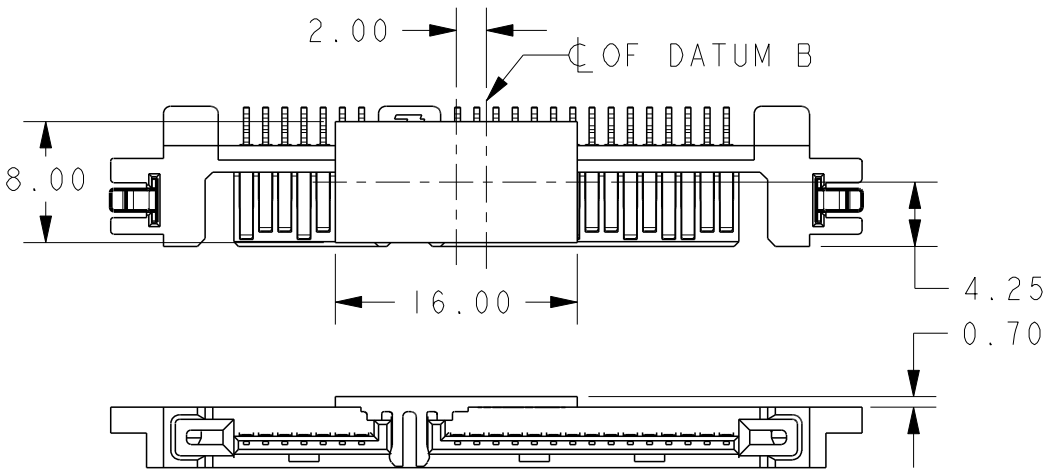


SECTION A-A




NOTES:

1. ALL DIMENSIONS IN MM UNLESS OTHERWISE STATED.
- 2 MATERIAL: PS CLEAR, 0.40±0.05 THICKNESS (BEFORE REFORM).
3. GENERAL TOLERANCE: ±0.20MM UNLESS OTHERWISE STATED.
DRAFT ANGLE: 5° (MAX) UNLESS OTHERWISE STATED.
RADIUS: 0.25 (MAX) TYPE UNLESS OTHERWISE STATED.
- 4 ACCUMULATED TOLERANCES FOR PITCHES: ±0.20MM FOR 10 PITCHES.
5. DELIVER IN PLASTICS REEL: 757 POCKETS/REEL (700 COMPONENTS/REEL)



CONNECTOR WITH PICK-UP CAP
SCALE 2:1

P/N: 1735783-1, -2, -3 AS SHOWN

THIS DRAWING IS A CONTROLLED DOCUMENT.		DWN JASON CHOW 05JAN09	 TE Connectivity			
DIMENSIONS: mm		CHK AP TAY				
TOLERANCES UNLESS OTHERWISE SPECIFIED:		APVD SE LEONG	NAME SLIMLITE SATA PLUG, 15+7P, SMT			
0 PLC ±- 1 PLC ±0.20 2 PLC ±0.20 3 PLC ±0.20 4 PLC ±- ANGLES ±5° FINISH -		PRODUCT SPEC 108-51052	SIZE A3	CAGE CODE 00779	DRAWING NO 1735783	RESTRICTED TO -
MATERIAL 2		WEIGHT 1.43g	SCALE 3:1		SHEET 3 OF 3	REV C1
		CUSTOMER DRAWING				