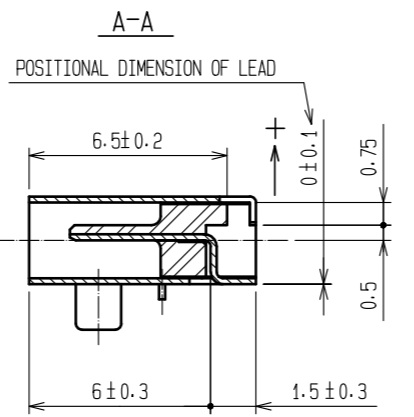
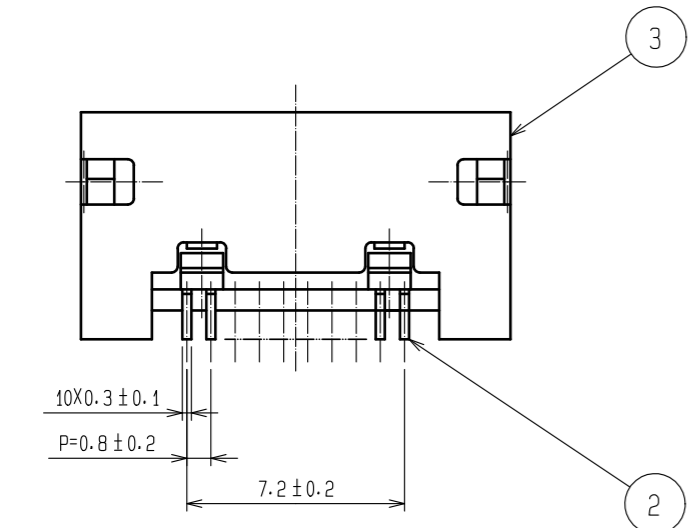
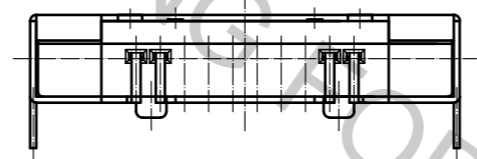
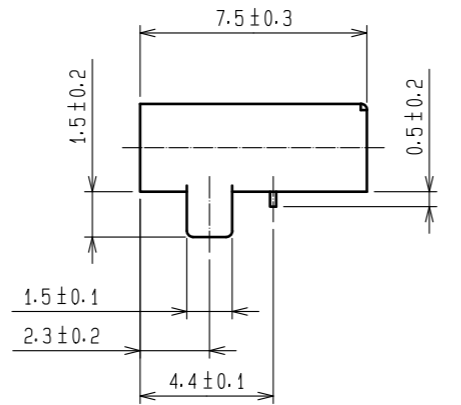
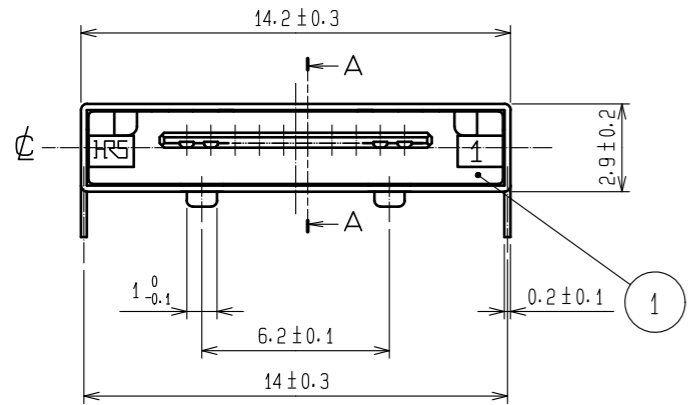
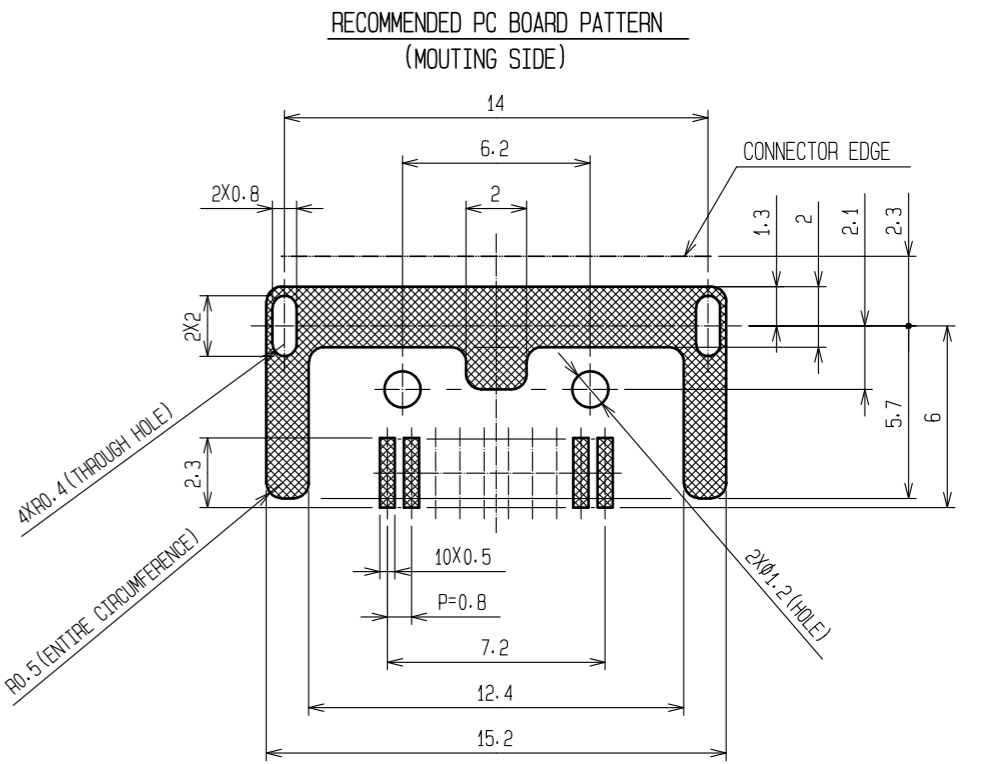
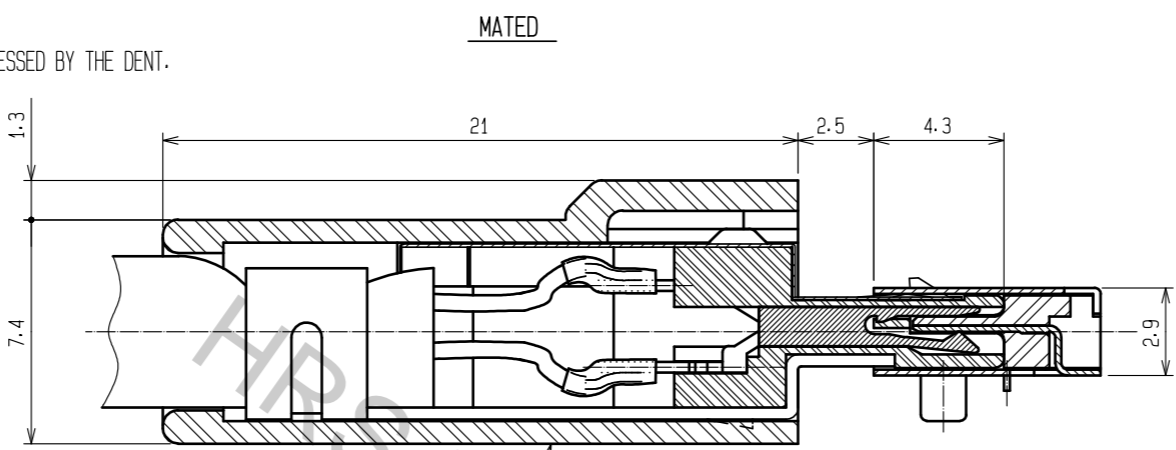
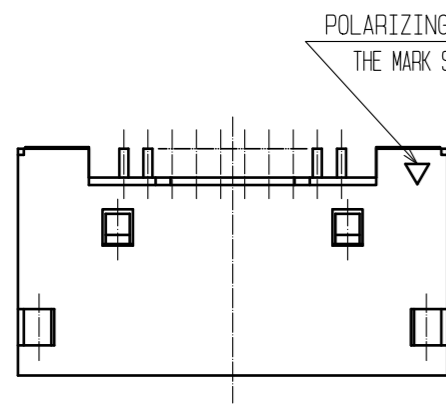


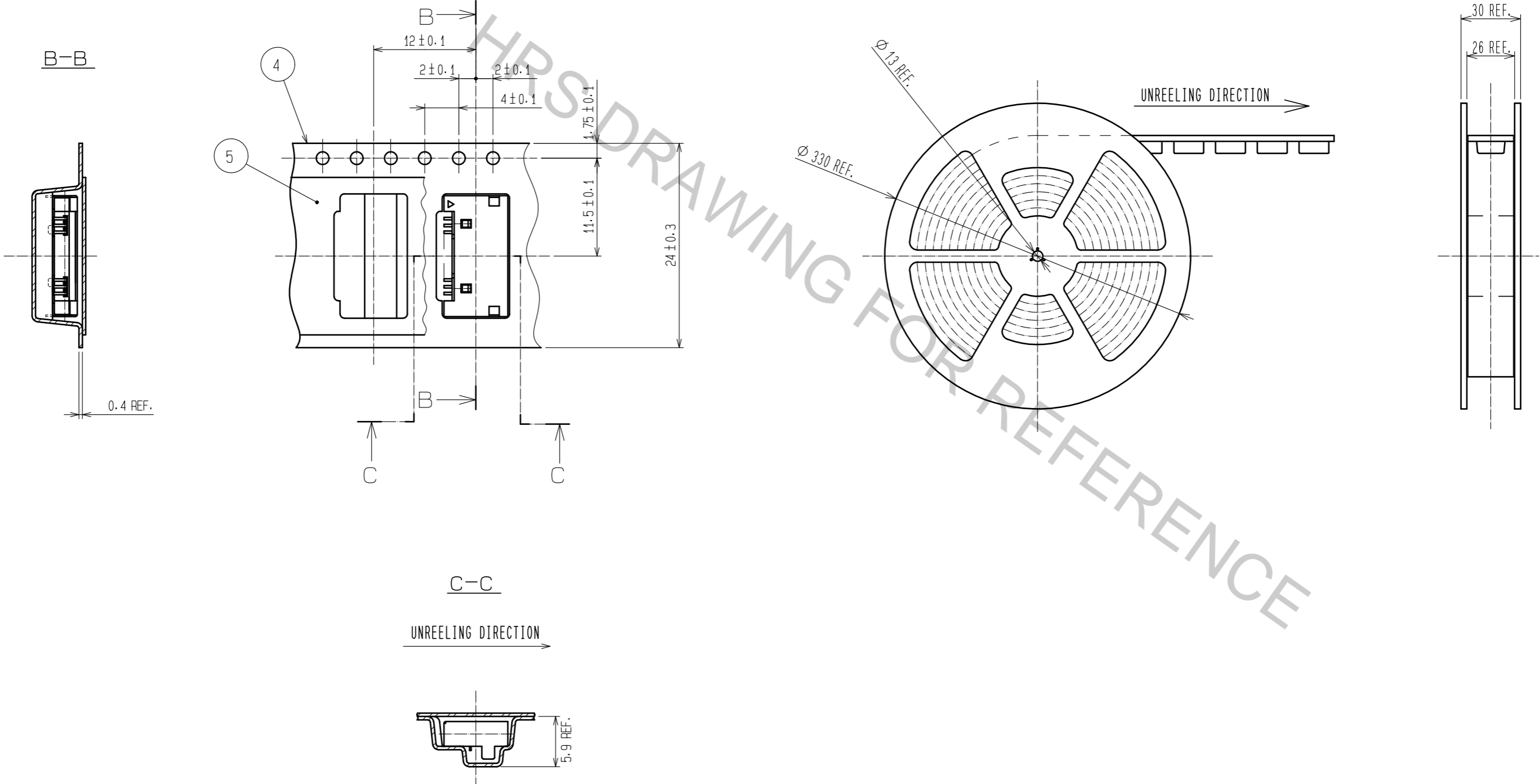
Apr.1.2017 Copyright 2017 HIROSE ELECTRIC CO., LTD. All Rights Reserved.

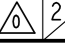


- NOTES
1. LEAD CO-PLANARITY TO BE 0.1 MAX.
 2. ALL DIMENSIONS WIRHOUT TOLERANCE ARE DIMENSIONS FOR REFERENCE.
 3. 1 REEL : 2000 pcs.

2	PHOSPHOR BRONZE	CONTACT AREA : GOLD 0.2μm MIN. LEAD AREA : GOLD 0.03μm MIN. UNDER PLATING : NICKEL 2μm MIN.	5	PE				
1	PPS	BLACK UL94V-0	4	PS				
			3	STAINLESS STEEL	SELECTIVE AREA : GOLD 0.03μm MIN. UNDER PLATING : NICKEL 0.2μm MIN.			
NO.	MATERIAL	FINISH . REMARKS	NO.	MATERIAL	FINISH . REMARKS			
UNITS	⊙	SCALE	COUNT	DESCRIPTION OF REVISIONS		DESIGNED	CHECKED	DATE
mm		4 : 1	△					
HRS HIROSE ELECTRIC CO., LTD.		APPROVED : NM. NISHIMATSU	16.07.07	DRAWING NO.		EDC-047967-60-01		
		CHECKED : NM. NISHIMATSU	16.07.07	PART NO.		3260-10S3(60)		
		DESIGNED : P. EKSOURIYA	16.07.07	CODE NO.		CL232-0047-5-60		
		DRAWN : P. EKSOURIYA	16.07.07			1/2		

DRAWING FOR PACKING (FREE)



HRS	DRAWING NO.	EDC-047967-60-01	 2/2
	PART NO.	3260-10S3(60)	
	CODE NO.	CL232-0047-5-60	