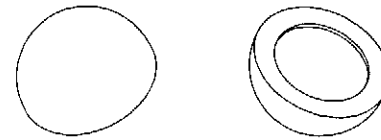


ALL REVISIONS TO THIS DRAWING
MUST BE MADE ON THE PRO/E SYSTEM

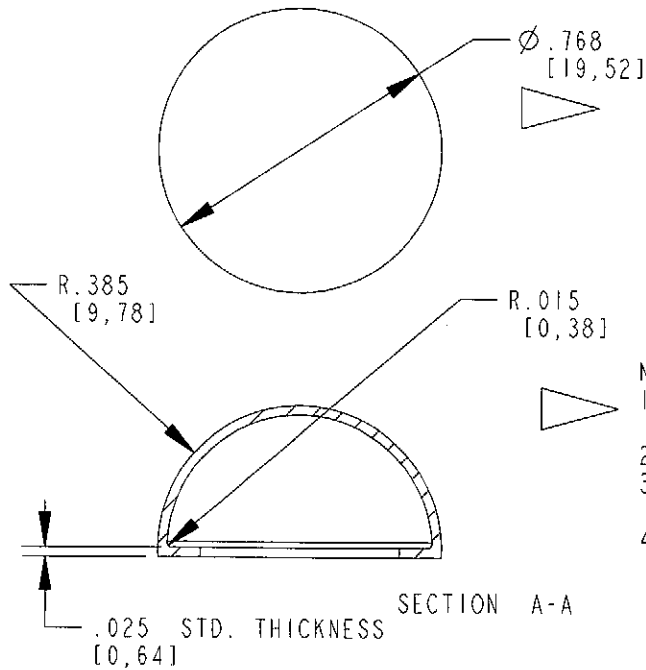
ENGI12D

DWG. NO. 30M4070-X

THIS DRAWING IS AT
DESIGN STATUS ON THE PRO/E SYSTEM



SCALE 1.000

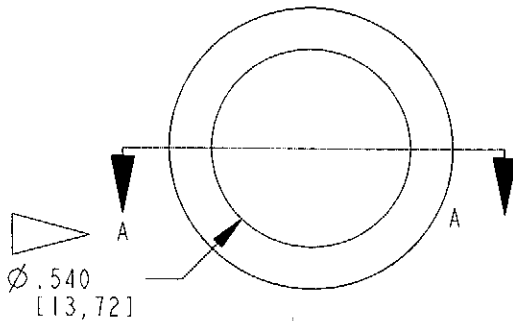


NOTES:

1. SILICONE RUBBER, CLASS III, GRADE 50 (ZZ-R-765).
2. COLOR: SEE CHART
3. FLASH NOT TO EXCEED DIMENSIONAL TOLERANCE.
4. SURFACE OF PART TO HAVE NO HOLES, TEARS, OR OPENINGS.

TOLERANCE CHART
(UNLESS OTHERWISE SPECIFIED)

DIMENSION	TOLERANCE
0 - .248	±.006
0 - 6.30	±.15
.249 - .394	±.008
6.31 - 10.01	±.20
.395 - .630	±.009
10.02 - 16.00	±.23
.631 - .984	±.010
16.01 - 24.99	±.25
.985 - 1.575	±.014
25.00 - 40.00	±.36
1.576 - 2.480	±.016
40.01 - 62.99	±.41
2.481 - 3.976	±.020
63.00 - 100.99	±.51



PART NUMBER	COLOR	COMMENTS
30M4070-1	BLACK	MATTE FINISH
30M4070-2	CLEAR	TRANSLUCENT

A
SIZE

DWG. NO.

30M4070-X

ISSUE

3

SCALE 2.000

SHEET | OF |