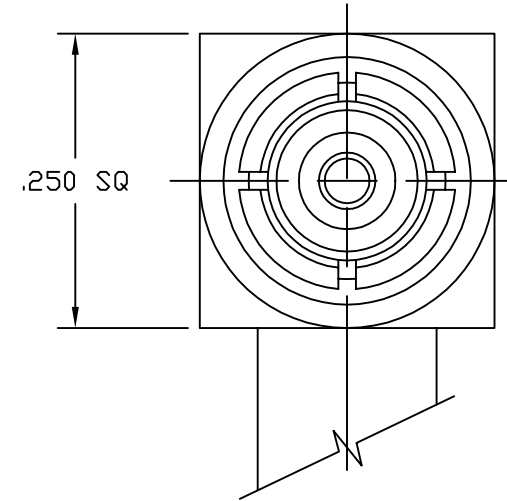
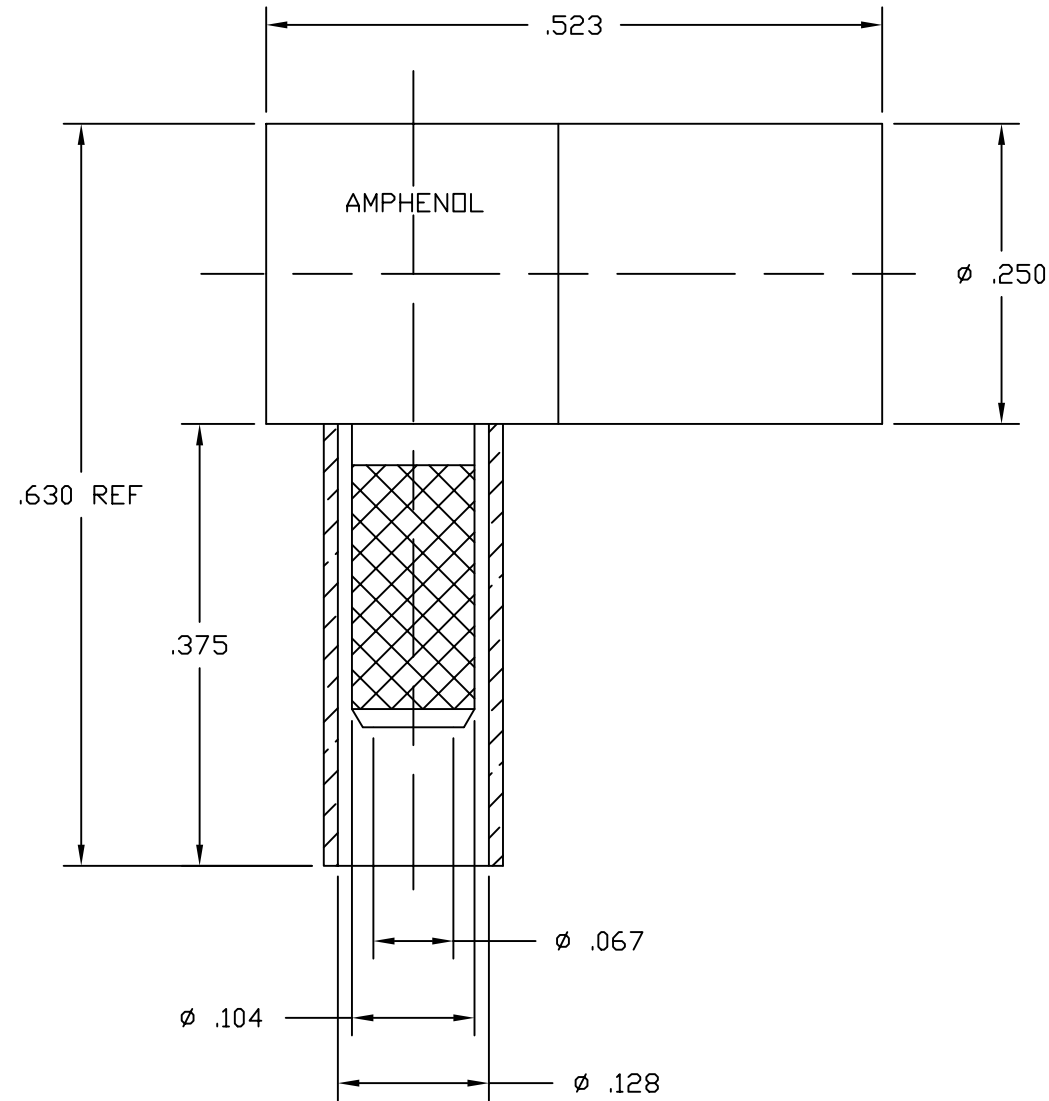


NOTES:

- MATERIAL AND FINISH:
 BODY: ZINC DIE CAST, NICKEL PLATED
 CONTACT: BERYLLIUM COPPER, GOLD PLATED
 OUTER CONTACT: BRASS, NICKEL PLATED
 INSULATOR: TFE FLUOROCARBON
 FERRULE: ANNEALED COPPER, NICKEL PLATED
- FOR ASSEMBLY INSTRUCTIONS SEE AMPHENOL SPEC. 349-50521, SHEET 3.

903-586P-71A		REVISIONS			
DRAWING NO.	REV	DESCRIPTION	DATE	ECO	APPR
THIRD ANGLE PROJ.	A	RELEASE TO MFG.	10/7/99	43146	PB/



CUSTOMER DRAWING

UNLESS OTHERWISE SPECIFIED, DIMENSIONS ARE IN INCHES AND TOLERANCES ARE: 2 PLACE DECIMAL ±.015 (0,381 mm) 3 PLACE DECIMAL ±.005 (0,127 mm) ANGLES ± 1°	MATERIAL	DRAWN P. BRENZEL	DATE 4 OCT 99	TITLE SMB 75 OHM ANGLE PLUG FOR RG-179/U	Amphenol Amphenol Corporation RF/Microwave Operations Danbury, Conn. U.S.A. 06810			
	REFERENCE EAR 102-967327 1 615X-1551-100	ENGINEER P. BRENZEL	DATE 4 OCT 99			APPROVED T. AUBIN	DATE 10/6/99	
NOTICE - These drawings, specifications, or other data (1) are, and remain the property of Amphenol Corp. (2) must be returned upon request; and (3) are confidential and not to be disclosed to any person other than those to whom they are given by Amphenol Corp. The furnishing of these drawings, specifications, or other data by Amphenol Corp., or to any other person to anyone for any purpose is not to be regarded by implication or otherwise in any manner licensing, granting rights or permitting such holder or any other person to manufacture, use or sell any product, process or design, patented or otherwise, that may in any way be related to or disclosed by said drawings, specifications, or other data.		CAD FILE H:\PETE\SMB\903\ASSY\586P71A0	CODE ID 74868	DWG SIZE B	DRAWING NO. 903-586P-71A	SCALE: 6:1	SHEET 1 OF 1	REV A