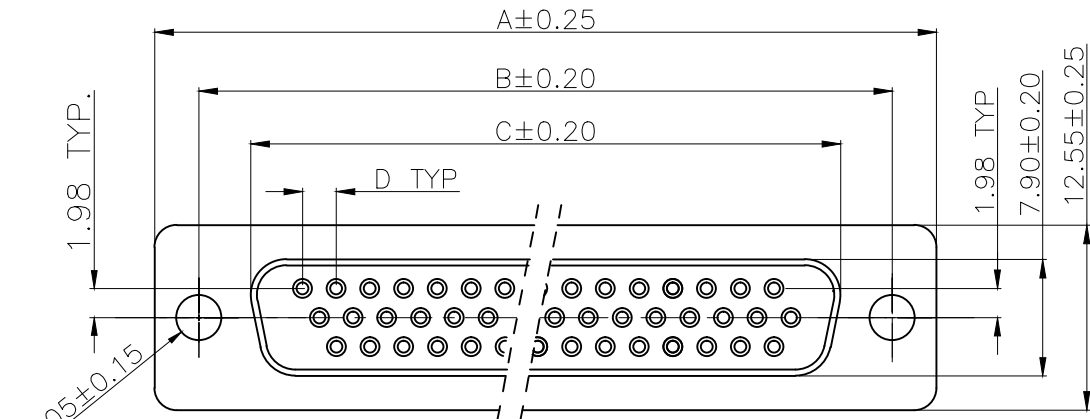


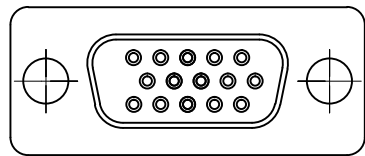
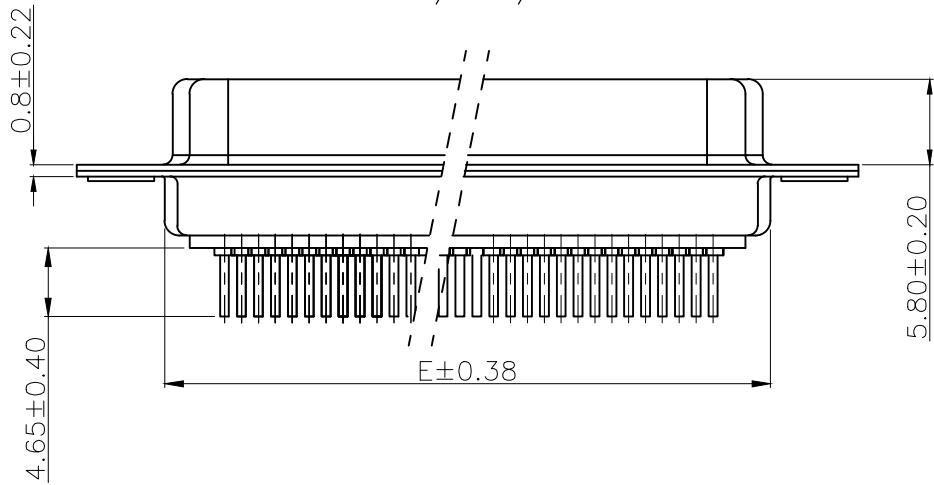
Tous droits strictement réservés. Reproduction ou communication a des tiers interdite sous quelque forme que ce soit sans autorisation écrite du propriétaire. Propriété de c FCI. Droits de reproduction FCI.



All rights strictly reserved. Reproduction or issue to third parties in any form whatever is not permitted without written authority from the proprietor. Property of FCI. Copyright FCI.



FOR 26/44/62P



FOR 15P

REMARK:

1. CHARACTERISTICS:

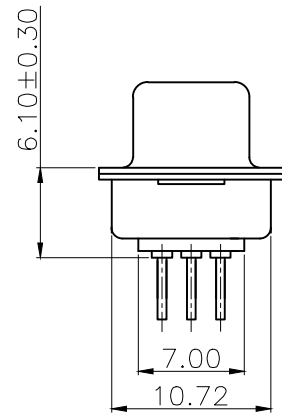
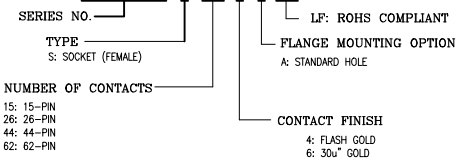
RATED VOLTAGE: 250V
 RATED CURRENT: 2.5AMP
 CONTACT RESISTANCE: 25mohms MAX. INITIAL,
 40mohms MAX. AFTER.
 INSULATION RESISTANCE: 5000Mohms MIN. at 500V DC
 DIELECTRIC STRENGTH: 750VRMS
 OPERATING TEMPERATURE RANGE: -55° C~105° C
 INSERTION/EXTRACTION FORCE PER CONTACT: 5N Max. /0.2N Min.
 MATING/UNMATING CYCLES: 200 MATINGS MIN FOR GOLD-FLASH
 500 MATINGS MIN FOR 30u" GOLD.

2. MATERIAL:

INSULATORS: THERMOPLASTIC G. F (UL94V-0) BLACK
 CONTACTS: COPPER ALLOY, GOLD(G/F or 30u") TOP OVER CONTACT
 AREA, 100u" Min MATTE TIN TOP OVER SOLDER AREA,
 50u" Min NICKEL UNDER PLATE.
 SHELL: CARBON STEEL, 100u" Min NICKEL TOP OVER,
 50u" Min COPPER UNDER PLATE.

3. PART NUMBER DESCRIPTION:

10111838-S XX X A LF



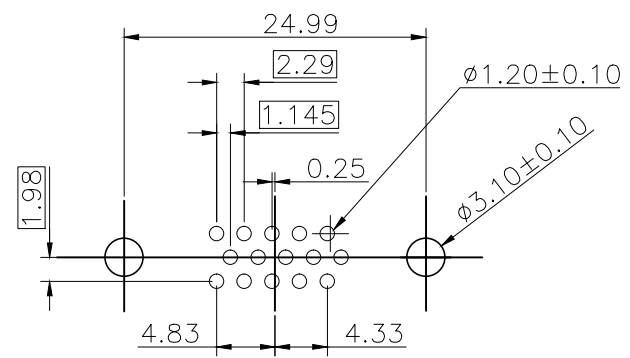
POS.	A	B	C	D	E
15	30.81	24.99	16.33	2.29	19.10
26	39.24	33.32	24.66	2.29	27.75
44	53.04	47.04	38.38	2.29	41.30
62	69.32	63.50	54.84	2.41	57.40

mat'l. code				tolerances unless otherwise specified			CUSTOMER COPY		FCI		www.fciconnect.com	
ltr	ecn no	dr	date	linear	.X ± 0.38		projection	title				
A		MP	3/01/13		.XX ± 0.25			H/D D-SUB FEMALE STRAIGHT				
					.XXX ± 0.10			product family D-SUB				
				angles	0° ± 2°		MM		size		code	
				dr	JASON HSU	1/12/10	← MM →		10111838		TWN	
				enr	JASON HSU	1/12/10	scale		A4		sheet	
				chr	MITHUN PAUL	3/01/13	1:1				1 of 2	
				appd	MITHUN PAUL	3/01/13						
sheet index	revision sheet	A	A							cage code		
		1	2									

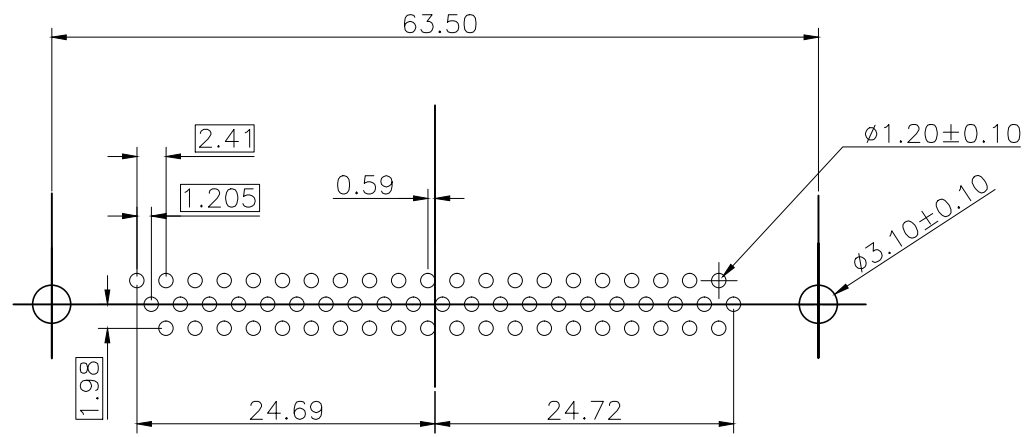
Tous droits strictement reserves. Reproduction ou communication a des tiers interdite sous quelque forme que ce soit sans autorisation ecrite du propriétaire. Propriete de c FCI. Droits de reproduction FCI.



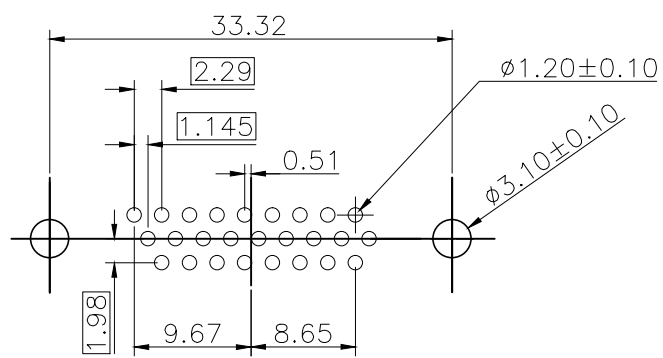
All rights strictly reserved. Reproduction or issue to third parties in any form whatever is not permitted without written authority from the proprietor. Property of FCI. Copyright FCI.



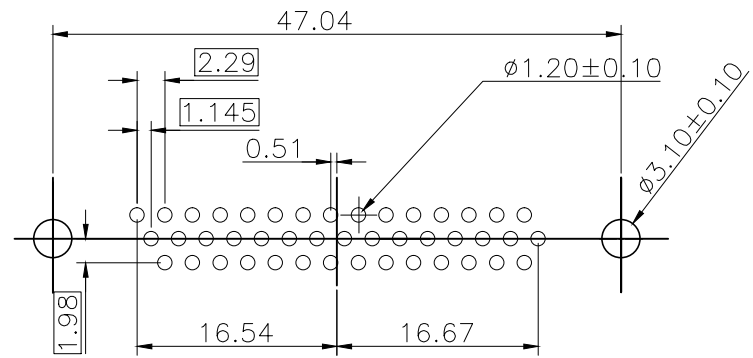
P.C.B LAYOUT(FOR 15P)



P.C.B LAYOUT(FOR 62P)



P.C.B LAYOUT(FOR 26P)



P.C.B LAYOUT(FOR 44P)

mat'l. code				tolerances unless otherwise specified			CUSTOMER COPY		FCI www.fciconnect.com	
ltr	ecn no	dr	date	linear	.X ± 0.38		projection	title		
A					.XX ± 0.25			H/D D-SUB FEMALE STRAIGHT PCB	product family	
				angles	.XXX ± 0.10		MM		D-SUB	
					0° ± 2°			scale	size	
				dr	JASON HSU	1/12/10	1:1		10111838	
				enr	JASON HSU	1/12/10				
				chr	MITHUN PAUL	3/01/13				
				appd	MITHUN PAUL	3/01/13				
sheet index	revision sheet	A	A						cage code	
		1	2							