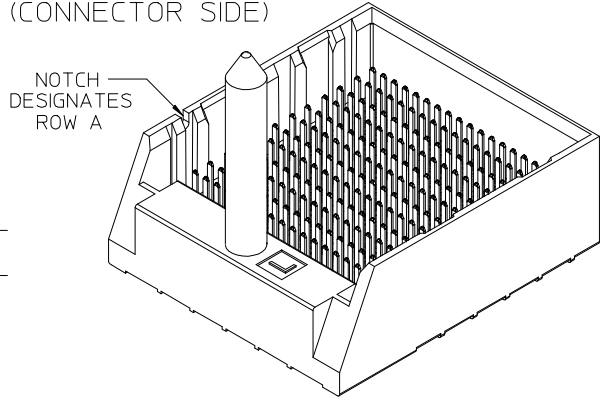
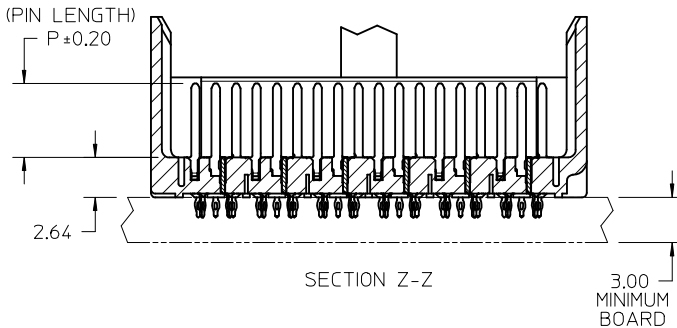
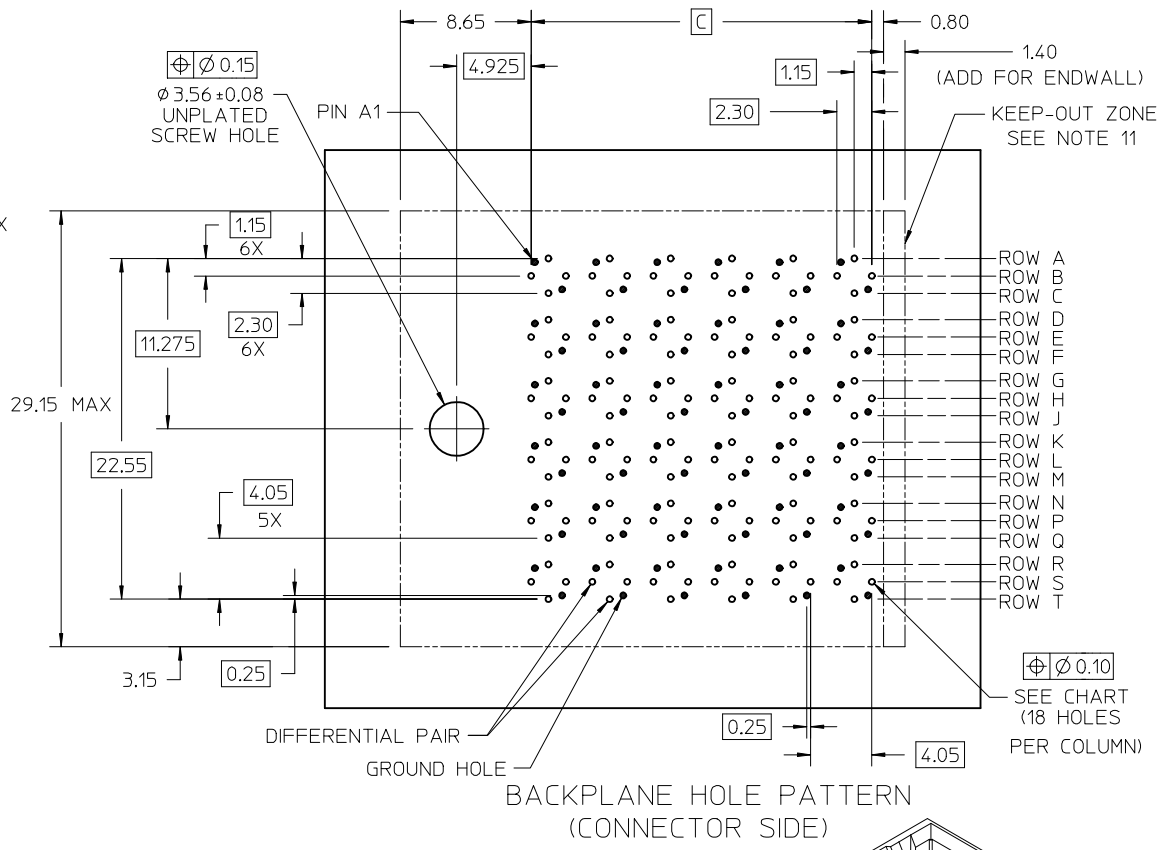


- NOTES:
- MATERIALS: HOUSING - LIQUID CRYSTAL POLYMER (LCP)
GLASS-FILLED, UL94V-0
TERMINALS - HIGH PERFORMANCE COPPER ALLOY
 - FINISH: 30μ MIN GOLD IN CONTACT AREA.
SELECTIVE TIN OR TIN-LEAD ON PCB TAILS.
NICKEL OVERALL.
 - REFER TO MOLEX PRODUCT SPECIFICATION PS-76060-999
FOR PERFORMANCE SPECIFICATIONS AND ADDITIONAL PCB INFORMATION.
 - THIS PART CONFORMS TO CLASS B REQUIREMENTS OF
COSMETIC SPEC PS-45499-002.
 - PRODUCT IS PACKAGED PER PK-70873-766.
 - SEE SHEETS 2 THRU 4 FOR PART NUMBERS AND ORTHOGONAL PIN MAPPING.
 - REFER TO MOLEX SALES DRAWING SD-76290-002 FOR THE MATING RECEPTACLES.
 - REFER TO MOLEX ROUTING GUIDE AS-76850-990 FOR ADDITIONAL PCB LAYOUT
AND ROUTING RECOMMENDATIONS.
 - THE KEEP-OUT ZONE FOR THE PART LENGTH INCLUDES AN ADDITIONAL 1.0mm
TO ACCOMMODATE FOR SPACE REQUIRED BY THE DAUGHTERCARD ASSEMBLY.
 - CONNECTORS ARE SUPPLIED WITH A 2-56 UNC-2A SCREW.
 - THESE DIMENSIONS REPRESENT THE AREA NEEDED TO ACCOMMODATE CONNECTOR
INSERTION AND REPAIR ON THE PC BOARD. THIS DOES NOT REPRESENT
THE ACTUAL PERIMETER OF THE CONNECTOR.*



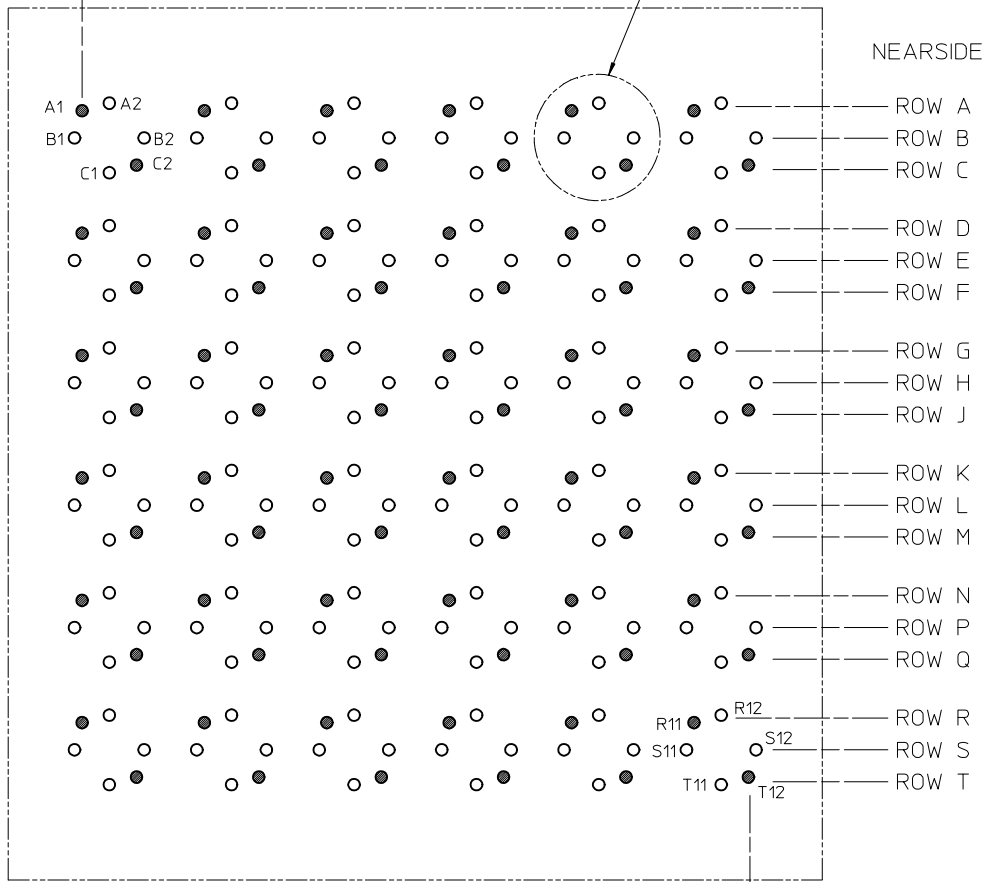
ENDWALL VERSION SHOWN

UPDATED VIEWS EC NO: UCP2014-2698 DRWNR:ZV101 2013/04/03 CHKD: APPR:TELO 2015/03/24	QUALITY SYMBOLS ▽=0 ▽=0 ▽=0	GENERAL TOLERANCES (UNLESS SPECIFIED)		DIMENSION STYLE MM ONLY	SCALE 4:1	DESIGN UNITS METRIC	THIRD ANGLE PROJECTION	
		4 PLACES ± --- ± ---	DRAWN BY JLAURX	DATE 4/20/09	TITLE IMPACT 6 PAIR HEADER ORTHOGONAL ASSEMBLY GUIDE LEFT SALES DWG			
		3 PLACES ± --- ± ---	CHECKED BY JMENDOZA	DATE 2010/01/13	DOCUMENT NO. SD-76285-002			
		2 PLACES ± 0.13 ± ---	APPROVED BY JB INGHAM	DATE 2010/01/14	SHEET NO. 1 OF 4			
1 PLACE ± 0.25 ± ---	DRAFT WHERE APPLICABLE MUST REMAIN WITHIN DIMENSIONS		MATERIAL NO. SEE CHART	THIS DRAWING CONTAINS INFORMATION THAT IS PROPRIETARY TO MOLEX INCORPORATED AND SHOULD NOT BE USED WITHOUT WRITTEN PERMISSION				
0 PLACE ± ±	ANGULAR ±1/2°		SIZE C					

ROW A
(FARSIDE
OPTION 270)

SEE DETAIL X

NEARSIDE



MIDPLANE PCB LAYOUT
SCALE 8:1

ROW A (FARSIDE
OPTION 90)

MATERIAL NUMBER	NUMBER OF COLUMNS	NUMBER OF DIFF PAIR	MODULE TYPE	DIM A	DIM B	DIM C
76285-*10*	10	60	NO ENDWALL	27.0	18.10	18.50
76285-*10*	10	60	WITH ENDWALL	28.4	18.10	18.50
76285-*20*	12	72	NO ENDWALL	31.0	22.15	22.55
76285-*20*	12	72	WITH ENDWALL	32.4	22.15	22.55

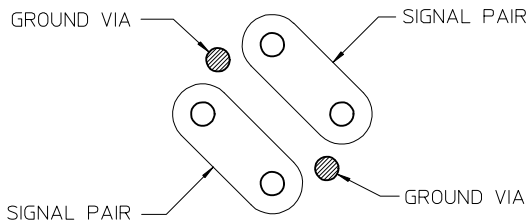
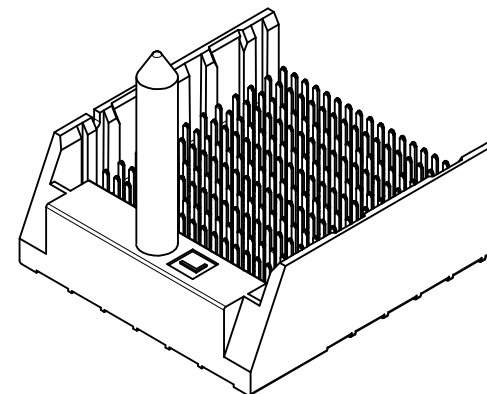
76285-* * 0 *

MODULE & TAIL PLATING TYPE

2 = GUIDE LEFT NO ENDWALL, TIN/LEAD
 3 = GUIDE LEFT NO ENDWALL, TIN
 6 = GUIDE LEFT ENDWALL, TIN/LEAD
 7 = GUIDE LEFT ENDWALL, TIN

PIN LENGTH (P)
 4 = 4.90 (0.46 PTH)
 5 = 5.50 (0.46 PTH)
 7 = 4.90 (0.39 PTH)
 8 = 5.50 (0.39 PTH)

OF COLUMNS
 1 = 10 COLUMNS
 2 = 12 COLUMNS



DETAIL X
SCALE 16:1

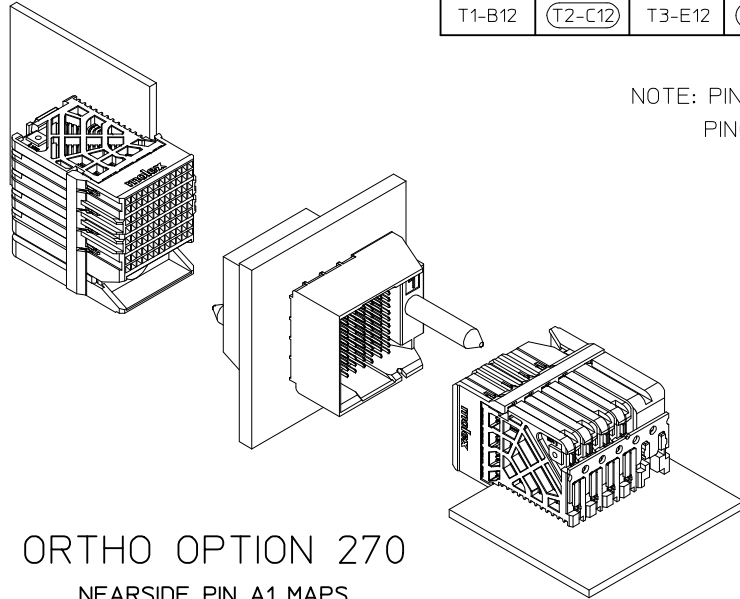
SEE SHEET 1 EC NO: UCP2014-2698 DRWNR: R1Z101 2013/04/03 CHKD: APPR: TELO 2015/03/24 REV	QUALITY SYMBOLS	GENERAL TOLERANCES (UNLESS SPECIFIED)	DIMENSION STYLE MM ONLY	SCALE 3:1	DESIGN UNITS METRIC	THIRD ANGLE PROJECTION
	∇=0 ∇=0 ∇=0	mm INCH 4 PLACES ± --- ± --- 3 PLACES ± --- ± --- 2 PLACES ± 0.13 ± --- 1 PLACE ± 0.25 ± --- 0 PLACE ± ±	DRAWN BY DATE JLAURX 4/20/09 CHECKED BY DATE JMENDOZA 2010/01/13 APPROVED BY DATE JB INGHAM 2010/01/14	TITLE IMPACT 6 PAIR HEADER ORTHOGONAL ASSEMBLY GUIDE LEFT SALES DWG	DOCUMENT NO. SD-76285-002	SHEET NO. 2 OF 4
DRAFT WHERE APPLICABLE MUST REMAIN WITHIN DIMENSIONS		ANGULAR ±1/2°	SEE CHART	THIS DRAWING CONTAINS INFORMATION THAT IS PROPRIETARY TO MOLEX INCORPORATED AND SHOULD NOT BE USED WITHOUT WRITTEN PERMISSION		

ORTHO PIN MAPPING

OPTION 270 (NEAR SIDE - FAR SIDE)

(A1-A1)	A2-B1	(A3-D1)	A4-E1	(A5-G1)	A6-H1	(A7-K1)	A8-L1	(A9-N1)	A10-P1	(A11-R1)	A12-S1
B1-A2	B2-C1	B3-D2	B4-F1	B5-G2	B6-J1	B7-K2	B8-M1	B9-N2	B10-O1	B11-R2	B12-T1
C1-B2	(C2-C2)	C3-E2	(C4-F2)	C5-H2	(C6-J2)	C7-L2	(C8-M2)	C9-P2	(C10-Q2)	C11-S2	(C12-T2)
(D1-A3)	D2-B3	(D3-D3)	D4-E3	(D5-G3)	D6-H3	(D7-K3)	D8-L3	(D9-N3)	D10-P3	(D11-R3)	D12-S3
E1-A4	E2-C3	E3-D4	E4-F3	E5-G4	E6-J3	E7-K4	E8-M3	E9-N4	E10-O3	E11-R4	E12-T3
F1-B4	(F2-C4)	F3-E4	(F4-F4)	F5-H4	(F6-J4)	F7-L4	(F8-M4)	F9-P4	(F10-Q4)	F11-S4	(F12-T4)
(G1-A5)	G2-B5	(G3-D5)	G4-E5	(G5-G5)	G6-H5	(G7-K5)	G8-L5	(G9-N5)	G10-P5	(G11-R5)	G12-S5
H1-A6	H2-C5	H3-D6	H4-F5	H5-G6	H6-J5	H7-K6	H8-M5	H9-N6	H10-O5	H11-R6	H12-T5
J1-B6	(J2-C6)	J3-E6	(J4-F6)	J5-H6	(J6-J6)	J7-L6	(J8-M6)	J9-P6	(J10-Q6)	J11-S6	(J12-T6)
(K1-A7)	K2-B7	(K3-D7)	K4-E7	(K5-G7)	K6-H7	(K7-K7)	K8-L7	(K9-N7)	K10-P7	(K11-R7)	K12-S7
L1-A8	L2-C7	L3-D8	L4-F7	L5-G8	L6-J7	L7-K8	L8-M7	L9-N8	L10-O7	L11-R8	L12-T7
M1-B8	(M2-C8)	M3-E8	(M4-F8)	M5-H8	(M6-J8)	M7-L8	(M8-M8)	M9-P8	(M10-O8)	M11-S8	(M12-T8)
(N1-A9)	N2-B9	(N3-D9)	N4-E9	(N5-G9)	N6-H9	(N7-K9)	N8-L9	(N9-N9)	N10-P9	(N11-R9)	N12-S9
P1-A10	P2-C9	P3-D10	P4-F9	P5-G10	P6-J9	P7-K10	P8-M9	P9-N10	P10-O9	P11-R10	P12-T9
Q1-B10	(Q2-C10)	Q3-E10	(Q4-F10)	Q5-H10	(Q6-J10)	Q7-L10	(Q8-M10)	Q9-P10	(Q10-Q10)	Q11-S10	(Q12-T10)
(R1-A11)	R2-B11	(R3-D11)	R4-E11	(R5-G11)	R6-H11	(R7-K11)	R8-L11	(R9-N11)	R10-P11	(R11-R11)	R12-S11
S1-A12	S2-C11	S3-D12	S4-F11	S5-G12	S6-J11	S7-K12	S8-M11	S9-N12	S10-O11	S11-R12	S12-T11
T1-B12	(T2-C12)	T3-E12	(T4-F12)	T5-H12	(T6-J12)	T7-L12	(T8-M12)	T9-P12	(T10-Q12)	T11-S12	(T12-T12)

NOTE: PINOUTS SHOWN IN BALLOONS ARE GROUNDS.
 PINOUTS SHOWN ARE FOR SQUARE (12 COLUMN) PATTERN ONLY.



ORTHO OPTION 270
 NEAR SIDE PIN A1 MAPS
 TO FAR SIDE PIN A1

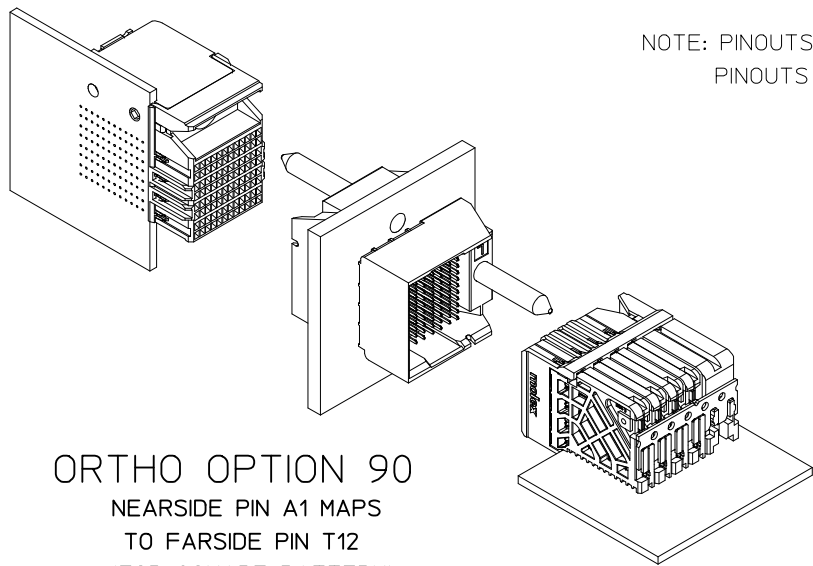
SEE SHEET 1 EC NO: UCP2014-2698 DRW: RIZ101 2013/04/03 CHKD: APPR: TELO 2015/03/24	QUALITY SYMBOLS ∇=0 ∇=0 ∇=0	GENERAL TOLERANCES (UNLESS SPECIFIED)		DIMENSION STYLE MM ONLY		SCALE 8:1	DESIGN UNITS METRIC	THIRD ANGLE PROJECTION
		4 PLACES ± ---	± ---	mm	INCH	DRAWN BY JLAURX	DATE 4/20/09	IMPACT 6 PAIR HEADER ORTHOGONAL ASSEMBLY GUIDE LEFT SALES DWG molex DOCUMENT NO. SD-76285-002 SHEET NO. 3 OF 4
		3 PLACES ± ---	± ---			CHECKED BY JMENDOZA	DATE 2010/01/13	
		2 PLACES ± 0.13	± ---			APPROVED BY JB INGHAM	DATE 2010/01/14	
1 PLACE ± 0.25	± ---			MATERIAL NO.				
		0 PLACE ±	±	ANGULAR ±1/2°		DRAFT WHERE APPLICABLE MUST REMAIN WITHIN DIMENSIONS		SEE CHART
THIS DRAWING CONTAINS INFORMATION THAT IS PROPRIETARY TO MOLEX INCORPORATED AND SHOULD NOT BE USED WITHOUT WRITTEN PERMISSION								

ORTHO PIN MAPPING

OPTION 90 (NEAR SIDE - FAR SIDE)

(A1-T12)	A2-S12	(A3-Q12)	A4-P12	(A5-M12)	A6-L12	(A7-J12)	A8-H12	(A9-F12)	A10-E12	(A11-C12)	A12-B12
B1-T11	B2-R12	B3-Q11	B4-N12	B5-M11	B6-K12	B7-J11	B8-G12	B9-F11	B10-D12	B11-C11	B12-A12
C1-S11	(C2-R11)	C3-P11	(C4-N11)	C5-L11	(C6-K11)	C7-H11	(C8-G11)	C9-E11	(C10-D11)	C11-B11	(C12-A11)
(D1-T10)	D2-S10	(D3-Q10)	D4-P10	(D5-M10)	D6-L10	(D7-J10)	D8-H10	(D9-F10)	D10-E10	(D11-C10)	D12-B10
E1-T9	E2-R10	E3-Q9	E4-N10	E5-M9	E6-K10	E7-J9	E8-G10	E9-F9	E10-D10	E11-C9	E12-A10
F1-S9	(F2-R9)	F3-P9	(F4-N9)	F5-L9	(F6-K9)	F7-H9	(F8-G9)	F9-E9	(F10-D9)	F11-B9	(F12-A9)
(G1-T8)	G2-S8	(G3-Q8)	G4-P8	(G5-M8)	G6-L8	(G7-J8)	G8-H8	(G9-F8)	G10-E8	(G11-C8)	G12-B8
H1-T7	H2-R8	H3-Q7	H4-N8	H5-M7	H6-K8	H7-J7	H8-G8	H9-F7	H10-D8	H11-C7	H12-A8
J1-S7	(J2-R7)	J3-P7	(J4-N7)	J5-L7	(J6-K7)	J7-H7	(J8-G7)	J9-E7	(J10-D7)	J11-B7	(J12-A7)
(K1-T6)	K2-S6	(K3-Q6)	K4-P6	(K5-M6)	K6-L6	(K7-J6)	K8-H6	(K9-F6)	K10-E6	(K11-C6)	K12-B6
L1-T5	L2-R6	L3-Q5	L4-N6	L5-M5	L6-K6	L7-J5	L8-G6	L9-F5	L10-D6	L11-C5	L12-A6
M1-S5	(M2-R5)	M3-P5	(M4-N5)	M5-L5	(M6-K5)	M7-H5	(M8-G5)	M9-E5	(M10-D5)	M11-B5	(M12-A5)
(N1-T4)	N2-S4	(N3-Q4)	N4-P4	(N5-M4)	N6-L4	(N7-J4)	N8-H4	(N9-F4)	N10-E4	(N11-C4)	N12-B4
P1-T3	P2-R4	P3-Q3	P4-N4	P5-M3	P6-K4	P7-J3	P8-G4	P9-F3	P10-D4	P11-C3	P12-A4
Q1-S3	(Q2-R3)	Q3-P3	(Q4-N3)	Q5-L3	(Q6-K3)	Q7-H3	(Q8-G3)	Q9-E3	(Q10-D3)	Q11-B3	(Q12-A3)
(R1-T2)	R2-S2	(R3-Q2)	R4-P2	(R5-M2)	R6-L2	(R7-J2)	R8-H2	(R9-F2)	R10-E2	(R11-C2)	R12-B2
S1-T1	S2-R2	S3-Q1	S4-N2	S5-M1	S6-K2	S7-J1	S8-G2	S9-F1	S10-D2	S11-C1	S12-A2
T1-S1	(T2-R1)	T3-P1	(T4-N1)	T5-L1	(T6-K1)	T7-H1	(T8-G1)	T9-E1	(T10-D1)	T11-B1	(T12-A1)

NOTE: PINOUTS SHOWN IN BALLOONS ARE GROUNDS.
 PINOUTS SHOWN ARE FOR SQUARE (12 COLUMN) PATTERN ONLY.



ORTHO OPTION 90
 NEAR SIDE PIN A1 MAPS
 TO FAR SIDE PIN T12
 (FOR SQUARE PATTERN)

SEE SHEET 1 EC NO: UCP2014-2698 DRWNR:RIZV101 2013/04/03 CHKD: APPR:TELO 2015/03/24	QUALITY SYMBOLS 	GENERAL TOLERANCES (UNLESS SPECIFIED)		DIMENSION STYLE	SCALE	DESIGN UNITS	THIRD ANGLE PROJECTION
				MM ONLY	4:1	METRIC	
		4 PLACES ± --- INCH 3 PLACES ± --- INCH 2 PLACES ± 0.13 INCH 1 PLACE ± 0.25 INCH 0 PLACE ± INCH		DRAWN BY JL AURX DATE 4/20/09 CHECKED BY JMENDOZA DATE 2010/01/13 APPROVED BY JB INGHAM DATE 2010/01/14	TITLE	IMPACT 6 PAIR HEADER ORTHOGONAL ASSEMBLY GUIDE LEFT SALES DWG	
		ANGULAR ±1/2° DRAFT WHERE APPLICABLE MUST REMAIN WITHIN DIMENSIONS		MATERIAL NO. SEE CHART	DOCUMENT NO. SD-76285-002	SHEET NO. 4 OF 4	

THIS DRAWING CONTAINS INFORMATION THAT IS PROPRIETARY TO MOLEX INCORPORATED AND SHOULD NOT BE USED WITHOUT WRITTEN PERMISSION