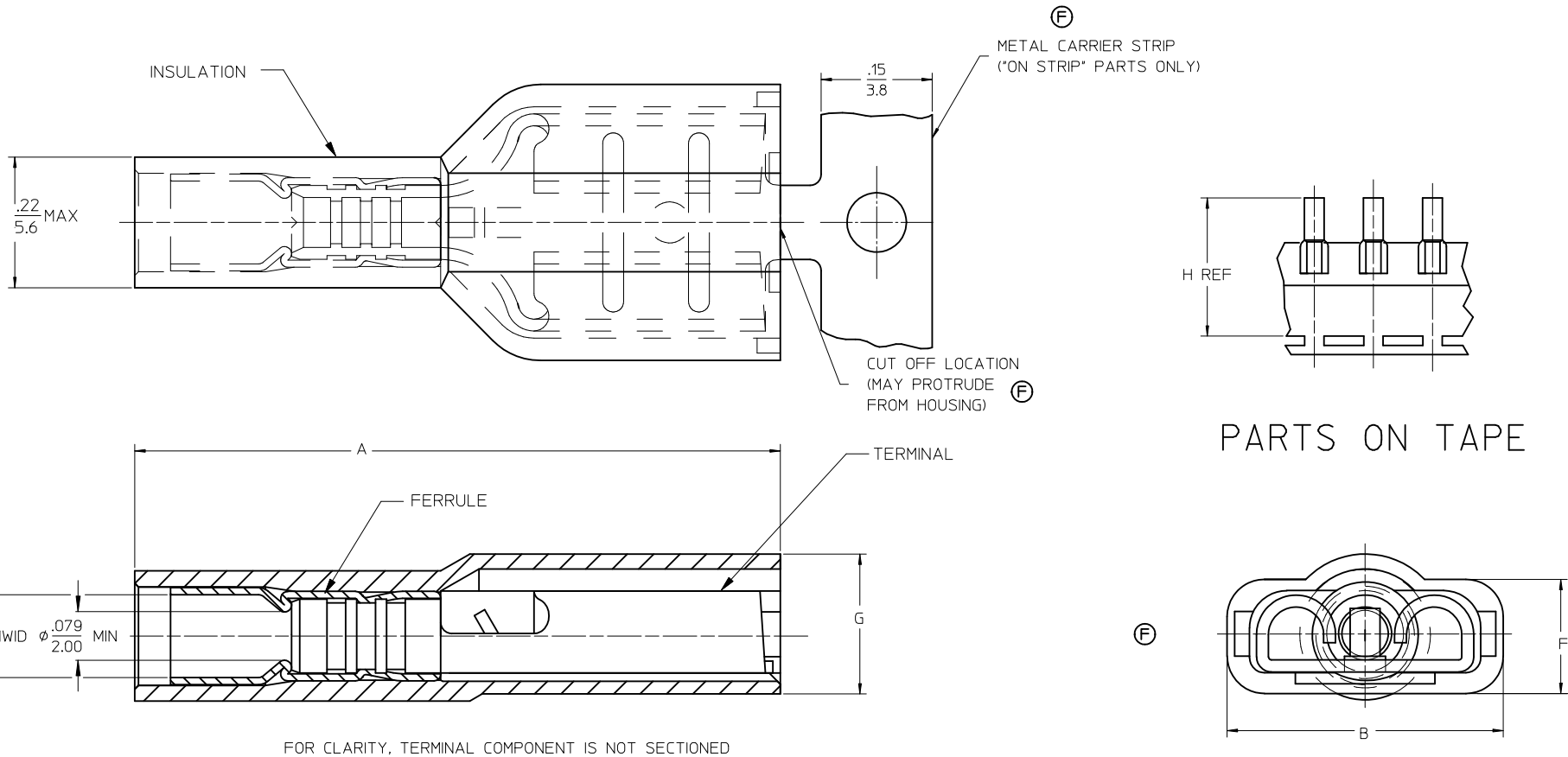


| 13 | 12 | 11 | 10 | 9 | 8 | 7 | 6 | 5 | 4 | 3 | 2 | 1 | | |
|---------------------------|------------------------------|--------------------------|-----------------------------|-------------------------|----------------------------|-------------------------------|----------------------------------|-----------------------|-----------------|----------|---------|---------|---------|-------------|
| MATERIAL NUMBER LOOSE PCS | ENGINEERING NUMBER LOOSE PCS | MATERIAL NUMBER ON STRIP | ENGINEERING NUMBER ON STRIP | MATERIAL NUMBER ON TAPE | ENGINEERING NUMBER ON TAPE | MATERIAL NUMBER REVERSE WOUND | ENGINEERING NUMBER REVERSE WOUND | ACCEPTS TAB SIZE | STOCK THICKNESS | "A" MAX | "B" MAX | "F" REF | "G" MAX | "H" REF |
| 190020024 | BB-5263 | 190020027 | BB-5263Z | 190020025 | BB-5263T | 190020026 | BB-5263TR | .250x.032 (6.35x0.81) | .016/0.41 | .89/22.6 | .38/9.7 | .16/4.1 | .20/5.1 | 1.425/36.20 |
| 190020040 | BB-5287 | 190020041 | BB-5287Z | 190020048 | BB-5287T | --- | --- | .205x.020 (5.21x0.51) | .016/0.41 | .80/20.3 | .32/8.1 | .16/4.1 | .22/5.6 | 1.415/35.94 |
| 190020042 | BB-5289 | 190020061 | BB-5289Z | 190020043 | BB-5289T | --- | --- | .205x.032 (5.21x0.81) | .016/0.41 | .80/20.3 | .32/8.1 | .16/4.1 | .22/5.6 | 1.415/35.94 |
| 190020028 | BB-5269 | 190020030 | BB-5269Z | 190020029 | BB-5269T | --- | --- | .187x.020 (4.75x0.51) | .016/0.41 | .80/20.3 | .32/8.1 | .16/4.1 | .22/5.6 | 1.415/35.94 |
| 190020031 | BB-5273 | 190020033 | BB-5273Z | 190020032 | BB-5273T | --- | --- | .187x.032 (4.75x0.81) | .016/0.41 | .80/20.3 | .32/8.1 | .16/4.1 | .22/5.6 | 1.415/35.94 |
| 190020034 | BB-5277 | 190020036 | BB-5277Z | 190020035 | BB-5277T | --- | --- | .110x.020 (2.79x0.51) | .012/0.31 | .80/20.3 | .23/5.8 | .13/3.3 | .22/5.6 | 1.395/35.43 |
| 190020037 | BB-5281 | 190020039 | BB-5281Z | 190020038 | BB-5281T | --- | --- | .110x.032 (2.79x0.81) | .012/0.31 | .80/20.3 | .23/5.8 | .13/3.3 | .22/5.6 | 1.395/35.43 |



SALES DRAWING

NOTES:

- MATERIAL: TERMINAL BRASS
 TERMINAL PLATING: ELECTRO TIN
 FERRULE: COPPER ALLOY
 FERRULE PLATING: ELECTRO TIN
 INSULATION: NYLON 94V2, COLOR BLUE.
- MWID = MAXIMUM WIRE INSULATION DIAMETER
- ASSEMBLY IS ROHS COMPLIANT.

| | | | | | | | | |
|---|--------------------------------------|--|-----------------------|---|---------------------|---|------------------------------|---------------------|
| FERRULE MAT'L DESC'R EC NO: MNA2009-0510 DRW:WETHRODAHL 2010/01/04 CHKD:JMACNEIL 2010/01/05 APPR:JMACNEIL 2010/01/05 | QUALITY SYMBOLS ▽=0 ▽=0 | GENERAL TOLERANCES (UNLESS SPECIFIED) | | DIMENSION STYLE IN/MM | SCALE 1:1 | DESIGN UNITS INCH | THIRD ANGLE PROJECTION | |
| | | 4 PLACES ± --- ± --- | 3 PLACES ± --- ± .005 | DRAWN BY BENDERLE | DATE 2005/04/11 | TITLE AVIKRIMP FEMALE FIQD 16-14 AWG | | |
| | | 2 PLACES ± 0.13 ± .01 | 1 PLACE ± 0.25 ± --- | CHECKED BY R DEROSS | DATE 2005/04/11 | MOLEX INCORPORATED | | |
| | | ANGULAR ±1/2° | | APPROVED BY R DEROSS | DATE 2005/04/11 | MATERIAL NO. SEE CHART | DOCUMENT NO. SD-19002-004 | SHEET NO. 1 OF 1 |
| DRAFT WHERE APPLICABLE MUST REMAIN WITHIN DIMENSIONS | | SIZE C | | THIS DRAWING CONTAINS INFORMATION THAT IS PROPRIETARY TO MOLEX INCORPORATED AND SHOULD NOT BE USED WITHOUT WRITTEN PERMISSION | | | | |