

THIS DRAWING IS UNPUBLISHED.

RELEASED FOR PUBLICATION

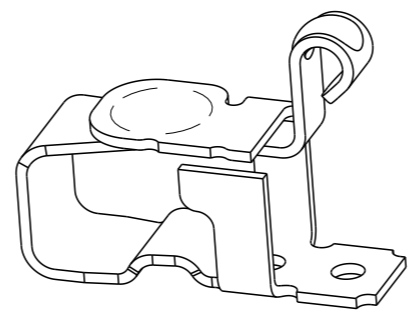
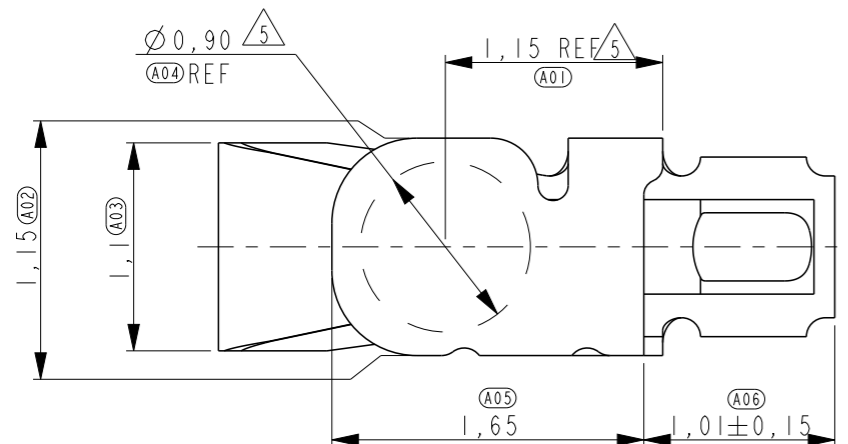
© COPYRIGHT -

ALL RIGHTS RESERVED.

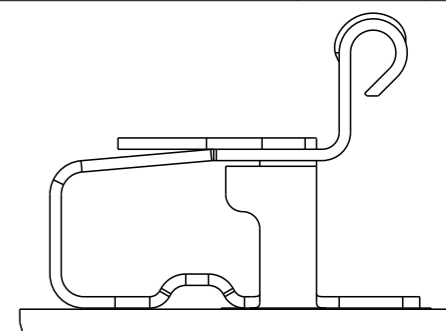
LOC ES DIST 00

REVISIONS

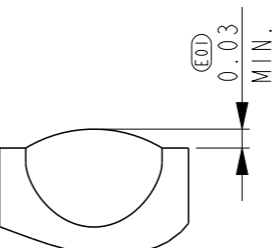
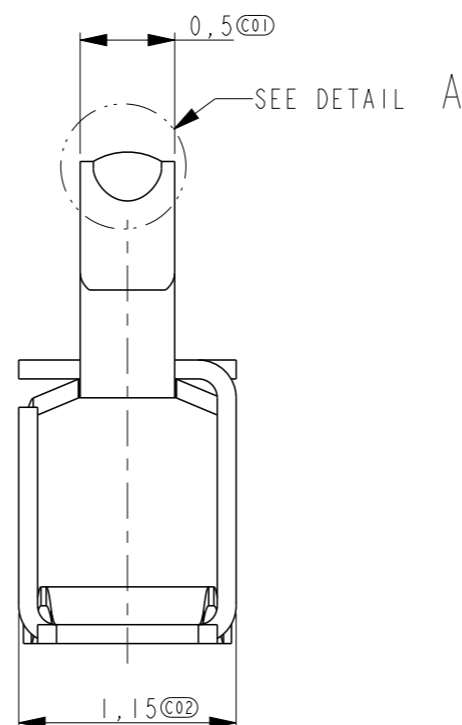
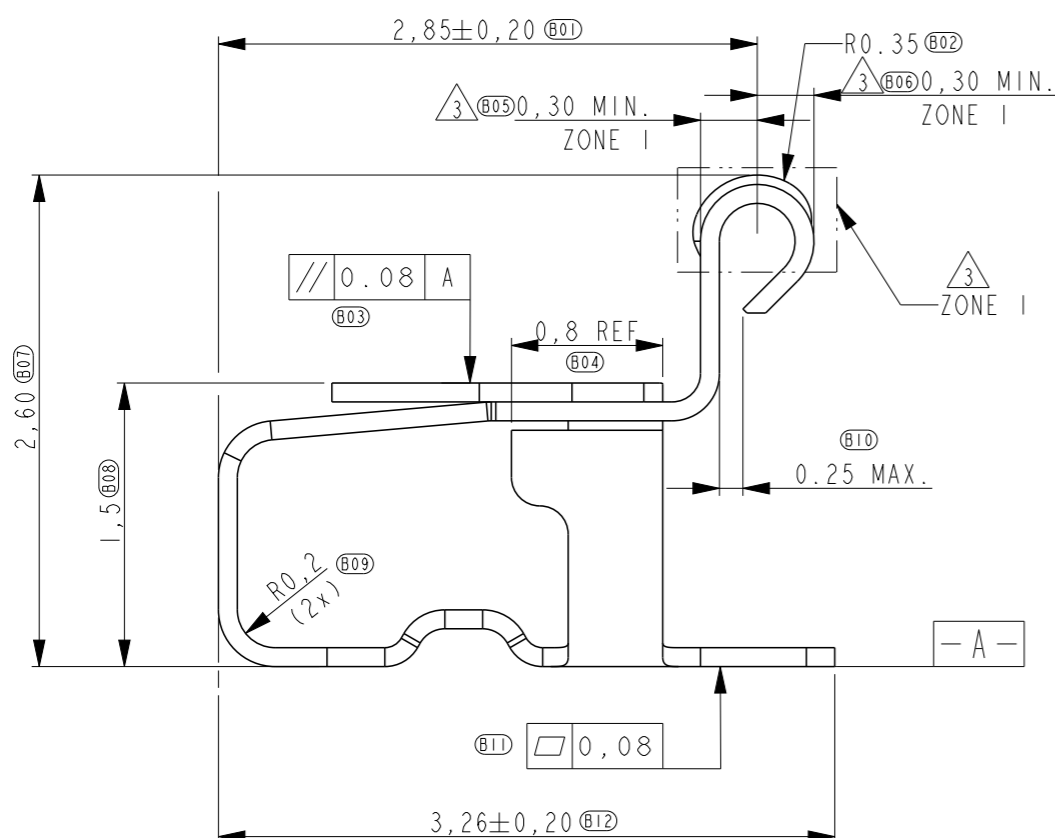
P	LTR	DESCRIPTION	DATE	DWN	APVD
	B	UPDATED	18AUG2011	T.Z	S.Y



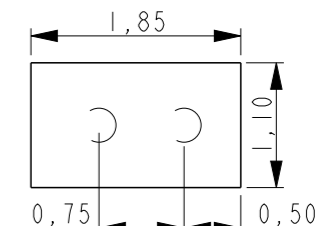
SCALE 15:1



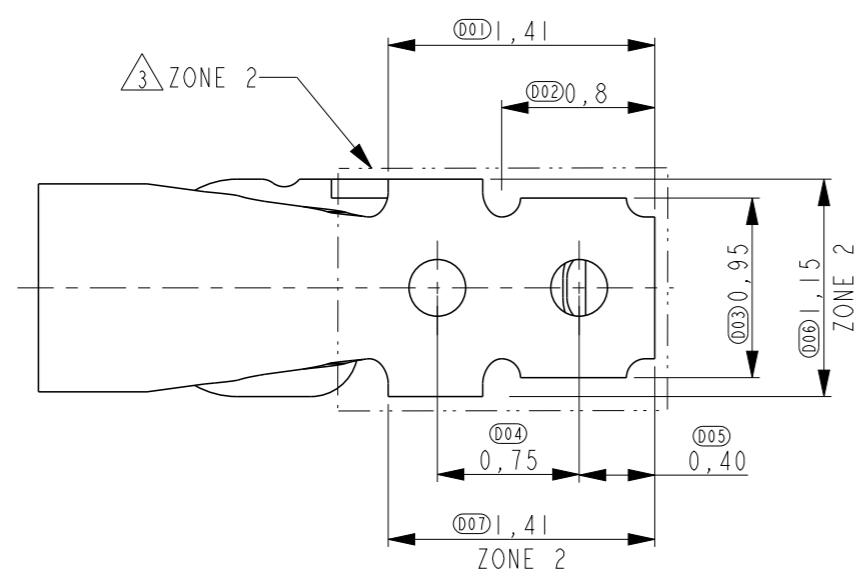
SCALE 15:1  
REFERENCE VIEW FOR  
COMPONENT PLACEMENT



DETAIL A  
SCALE 50:1



SCALE 15:1  
RECOMMENDED PWB LAY-OUT (±0.05)  
DASHED CIRCLES ARE THE LOCATION  
OF THE SPRING FINGER BOTTOM HOLES



- 1 PART NUMBER: 1551574-5 AS SHOWN.
- 2 MATERIAL: STAINLESS STEEL.
- 3 PLATING: 1,3um MIN. NICKEL UNDERLAYER ALL OVER  
ZONE 1: 0,50um MIN. GOLD  
ZONE 2: 0.05-0.3um GOLD FLASH
- 4 NORMAL FORCE 0.6±0.2N AT NOMINAL HEIGHT 2.0MM.
- 5 INDICATED SURFACE TO BE USED AS PICK AND PLACE SURFACE.

THIS DRAWING IS A CONTROLLED DOCUMENT.		DWN 22-JUN-2010 Tony Zhang		TE Connectivity	
DIMENSIONS: mm		CHK 22-JUN-2010 Harada Yohei			
TOLERANCES UNLESS OTHERWISE SPECIFIED:		APVD 22-JUN-2010 Steven Yao		NAME SPRING FINGER H=2.60mm	
0 PLC ±0.2		PRODUCT SPEC 108-115008		SIZE A3	
1 PLC ±0.1		APPLICATION SPEC -		CAGE CODE C-1551574	
2 PLC ±0.1		WEIGHT 0.0078g		DRAWING NO -	
3 PLC ±0.05		CUSTOMER DRAWING		RESTRICTED TO -	
4 PLC ±-		SCALE 25:1		SHEET 1 OF 2	
ANGLES ±5°		REV B			
FINISH -					

THIS DRAWING IS UNPUBLISHED.

RELEASED FOR PUBLICATION

© COPYRIGHT -

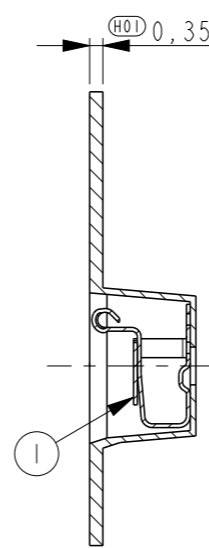
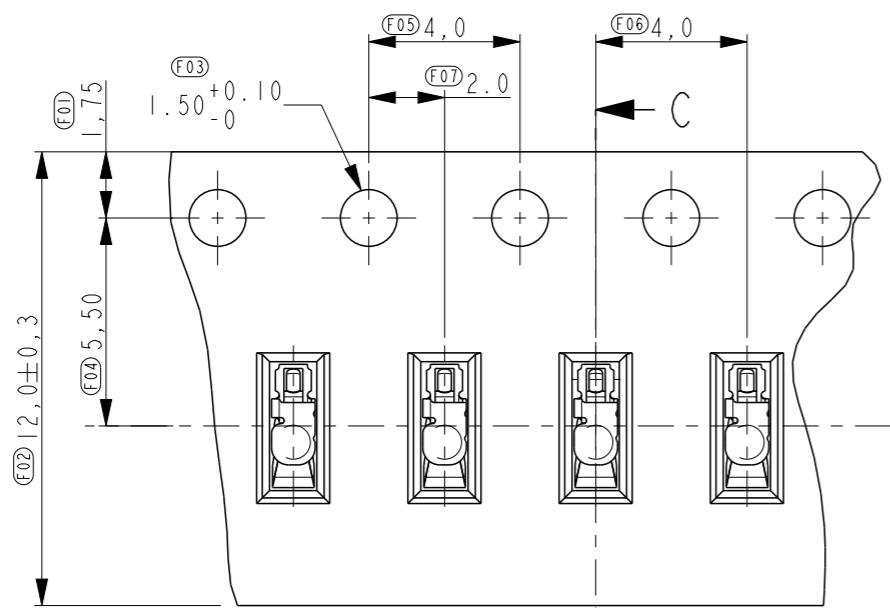
ALL RIGHTS RESERVED.

LOC  
ES

DIST  
-

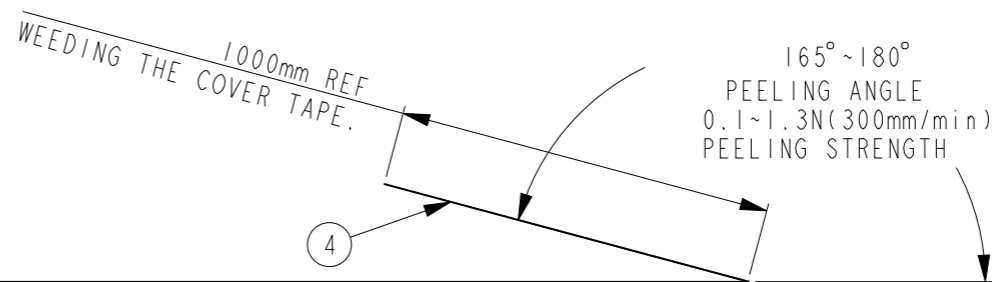
REVISIONS

P	LTR	DESCRIPTION	DATE	DWN	APVD
-	-	SEE SHEET 1	-	-	-



SCALE 5:1

SECTION C-C

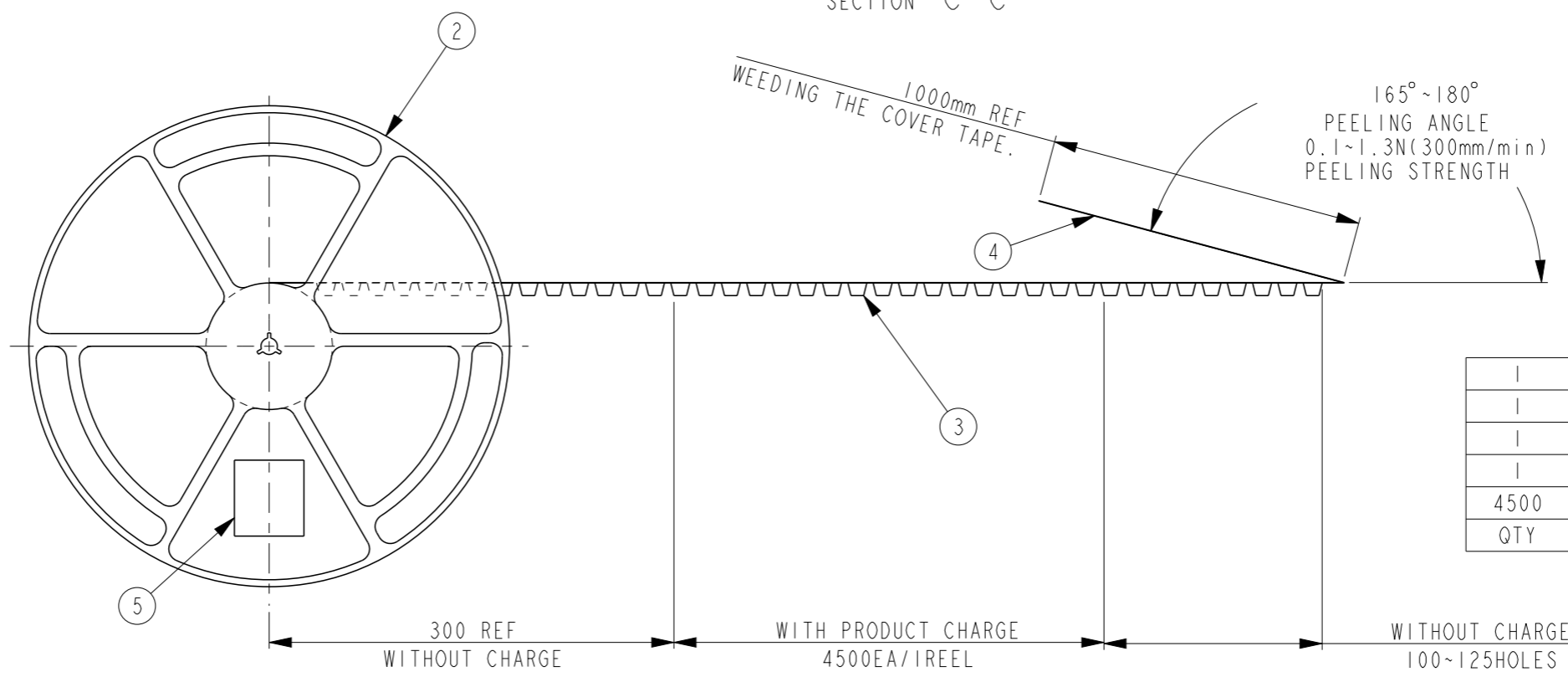


FRANGE CORE DIA  
Ø 100 ± 1

Ø 330 ± 1  
REEL DIA.

+2  
12.4 0

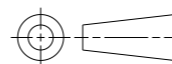
18.4 MAX  
REEL WIDTH



1	LABEL	5
1	COVER TAPE	4
1	EMBOSS	3
1	PLASTIC REEL	2
4500	SPRING FINGER	1
QTY	DESCRIPTION	ITEM

THIS DRAWING IS A CONTROLLED DOCUMENT.

DIMENSIONS:  
mm



TOLERANCES UNLESS OTHERWISE SPECIFIED:

0 PLC ±0.2  
 1 PLC ±0.1  
 2 PLC ±0.1  
 3 PLC ±0.05  
 4 PLC ±  
 ANGLES ±5°

MATERIAL -

FINISH -

DWN
CHK
APVD
PRODUCT SPEC
APPLICATION SPEC
WEIGHT
CUSTOMER DRAWING

**STE** TE Connectivity

NAME		SPRING FINGER H=2.60mm	
SIZE	CAGE CODE	DRAWING NO	RESTRICTED TO
A3		C=1551574	-
SCALE 5:1		SHEET 2 OF 2	REV B