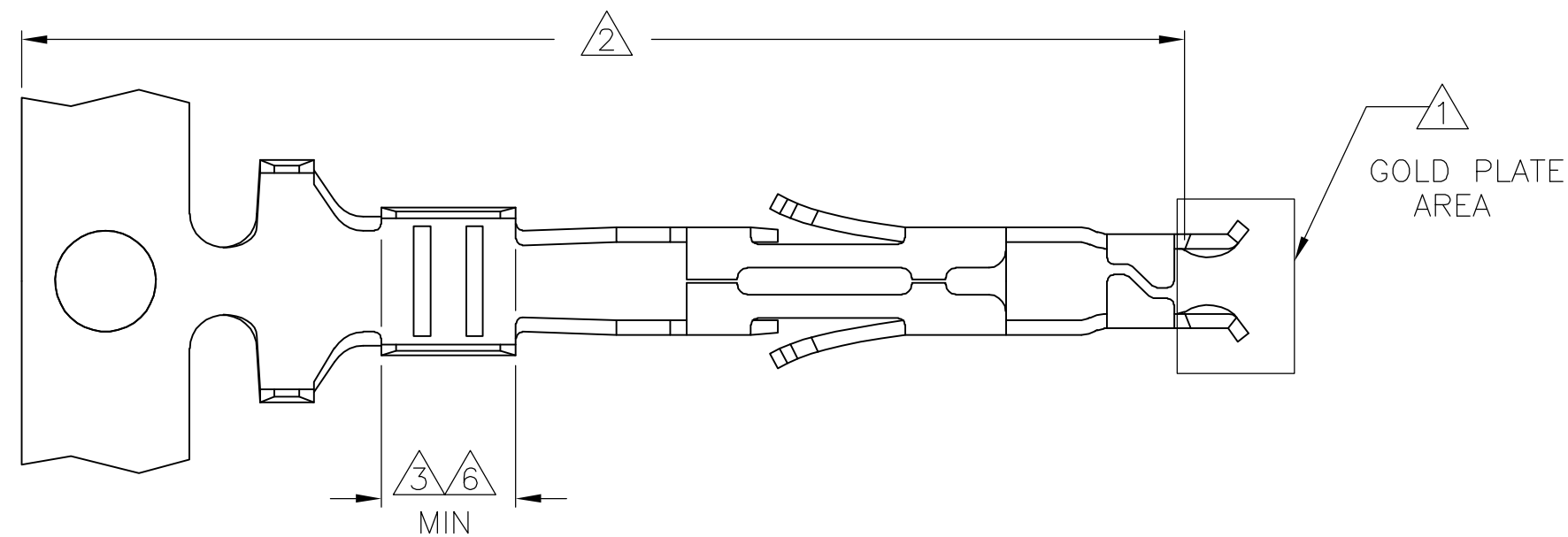


THIS DRAWING IS UNPUBLISHED. RELEASED FOR PUBLICATION
 © COPYRIGHT BY TYCO ELECTRONICS CORPORATION. ALL RIGHTS RESERVED.

LOC	DIST	REVISIONS			
P	LTR	DESCRIPTION	DATE	DWN	APVD
CM	00	0	REVISED PER 0G3B-0924-04	09JAN06	KW DC



① FINISH: 0.76μm MIN GOLD OVER 1.27μm MIN NICKEL REQUIRED ON INNER SURFACE, PERMITTED ON OUTER SURFACE.

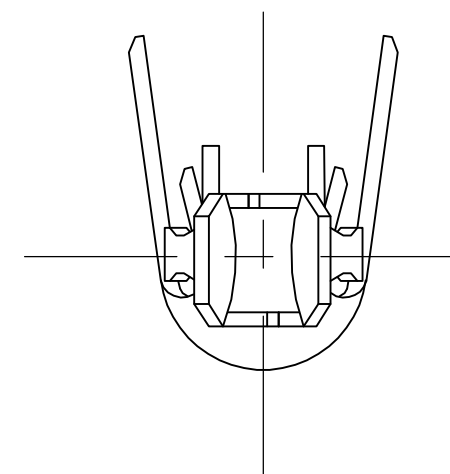
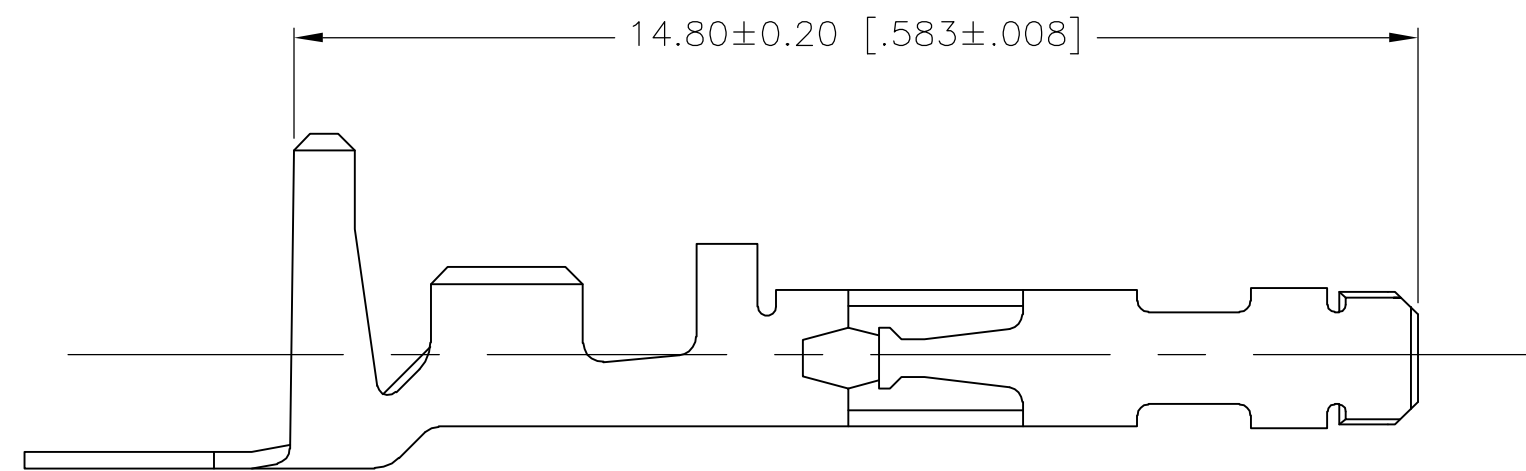
② FINISH: NICKEL BASE PLATE ON ALL SURFACES IN THIS AREA.

③ FINISH: 2.54μm MIN TIN-LEAD ON ALL SURFACES IN THIS AREA.

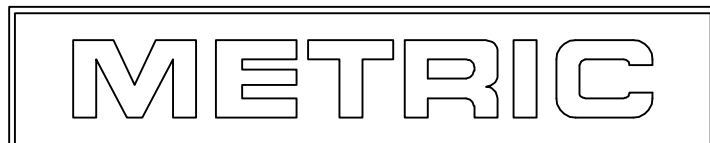
4. WIRE RANGE: 0.30-0.87mm² [.012-.034in²] (22-18 AWG).

5. INSULATION RANGE: ø1.50-2.40 [ø.059-.094]

⑥ FINISH: 2.54μm MIN TIN ON ALL SURFACES IN THIS AREA.



PRELIMINARY - NOT FOR PRODUCTION	LEAD-FREE	①②⑥	0.22 [.009] PH BRZ	1586405-3
	TIN-LEAD	①②③	0.22 [.009] PH BRZ	1586405-2
		FINISH	MATERIAL	PART NUMBER



THIS DRAWING IS A CONTROLLED DOCUMENT.		DWN K. WHITAKER 16MAR04	Tyco Electronics Corporation Harrisburg, PA 17105-3608	
DIMENSIONS: mm [INCHES]	TOLERANCES UNLESS OTHERWISE SPECIFIED:	CHK D. COLEY 16MAR04	NAME CONTACT, SOCKET, AMP-DUAC™ POWER CONNECTOR	
	0 PLC ±	APVD D. COLEY 16MAR04	PRODUCT SPEC 108-1646	SIZE A2
	1 PLC ±	PRODUCT SPEC	APPLICATION SPEC 114-6067	CAGE CODE 00779
MATERIAL SEE TABLE	FINISH SEE TABLE	WEIGHT	DRAWING NO C=1586405	RESTRICTED TO -
CUSTOMER DRAWING			SCALE 10:1	SHEET 1 of 1
			REV 0	