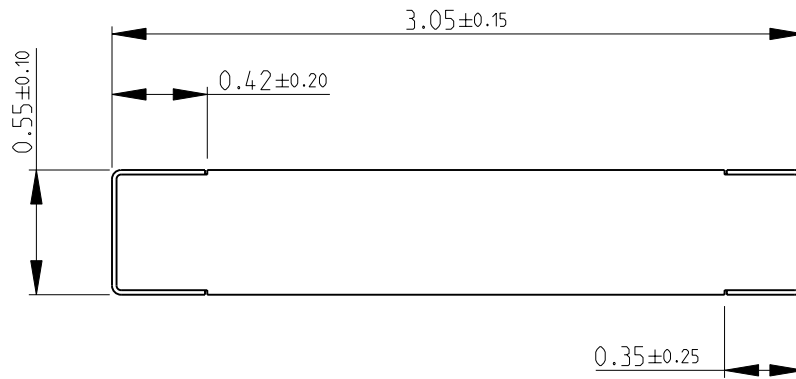
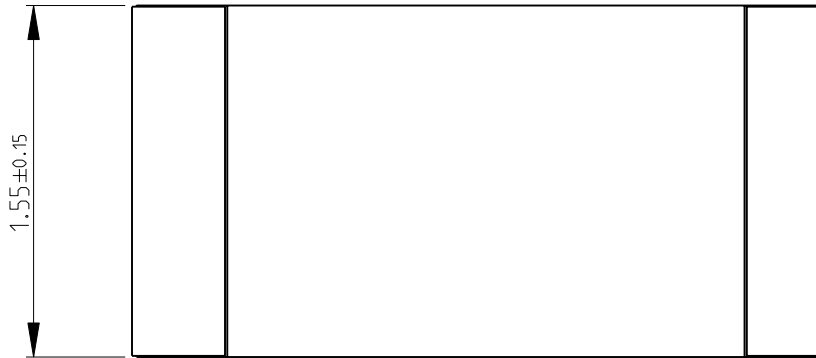
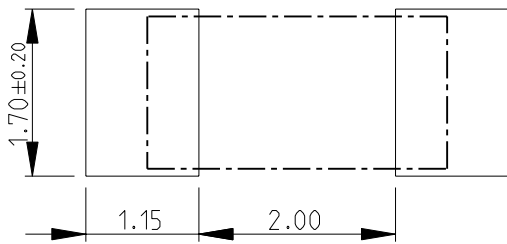


LOC	DIST	REVISIONS					
E	B	P	LTR	DESCRIPTION	DATE	DWN	APVD
			BA	NEW RELEASE	25-MAR-10	MRS	St.P

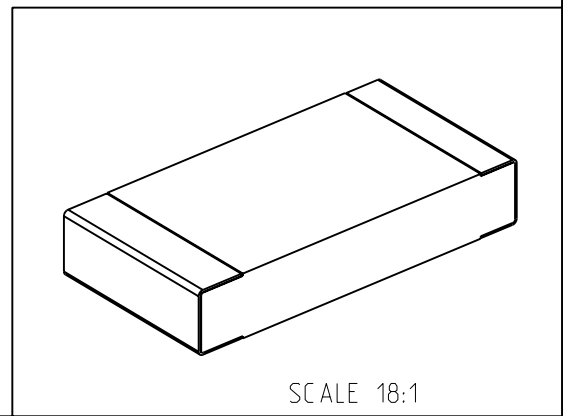
FOR FURTHER INFORMATION SEE DATA SHEET FOR  
RN73 SERIES-HIGH PRECISION RESISTORS (SMD)



RoHS Compliant



RECOMMENDED LAND PATTERN



SCALE 18:1

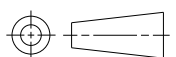
2010

RELEASED FOR PUBLICATION

THIS DRAWING IS UNPUBLISHED.

BY TYCO ELECTRONICS CORPORATION. ALL RIGHTS RESERVED.

DIMENSIONS:	
mm	
TOLERANCES UNLESS OTHERWISE SPECIFIED:	
0 PLC	±0.2
1 PLC	±0.1
2 PLC	±
3 PLC	±
4 PLC	±
ANGLES	±5°



DWN	MAHARUDRA	25-MAR-10
CHK	ALLAN.P	25-MAR-10
APVD	STEPHEN.P	25-MAR-10
PRODUCT SPEC	-	
APPLICATION SPEC	-	
WEIGHT	-	

MATERIAL	-	FINISH	-
Tyco Electronics Corporation Dorcan, Swindon, SN3 5HH		NAME	
HIGH PRECISION RESISTORS (SMD) SERIES RN73 2B			
SIZE	CAGE CODE	DRAWING NO	RESTRICTED TO
A 4	00779	© 1614708	-
CUSTOMER DRAWING		SCALE	30:1
		SHEET	1 OF 1
		REV	BA