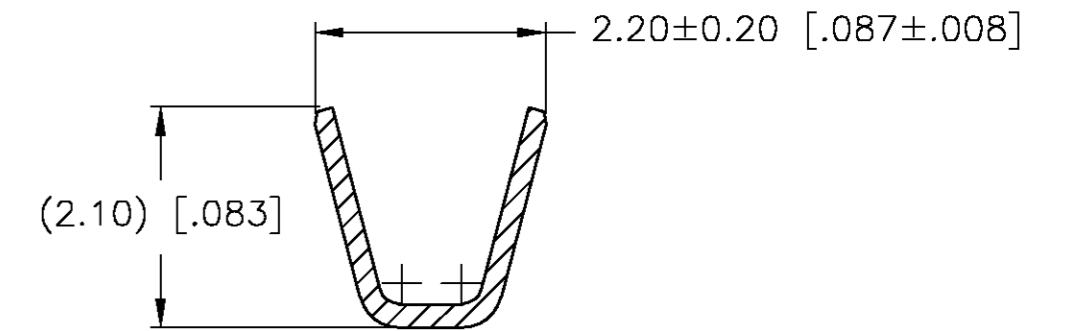
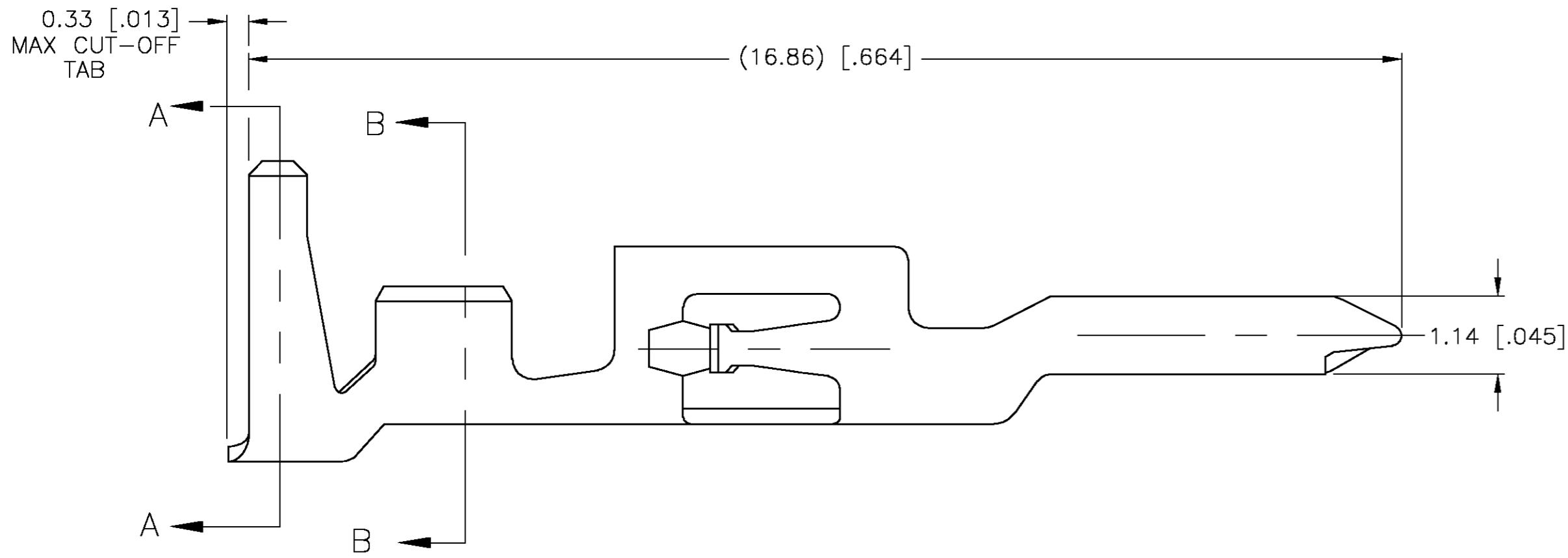
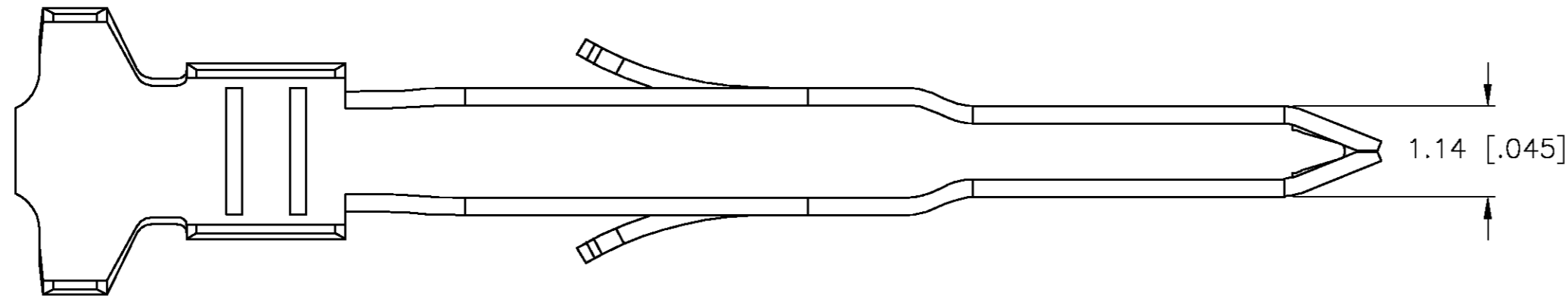


THIS DRAWING IS UNPUBLISHED. RELEASED FOR PUBLICATION
 © COPYRIGHT BY TYCO ELECTRONICS CORPORATION. ALL RIGHTS RESERVED.

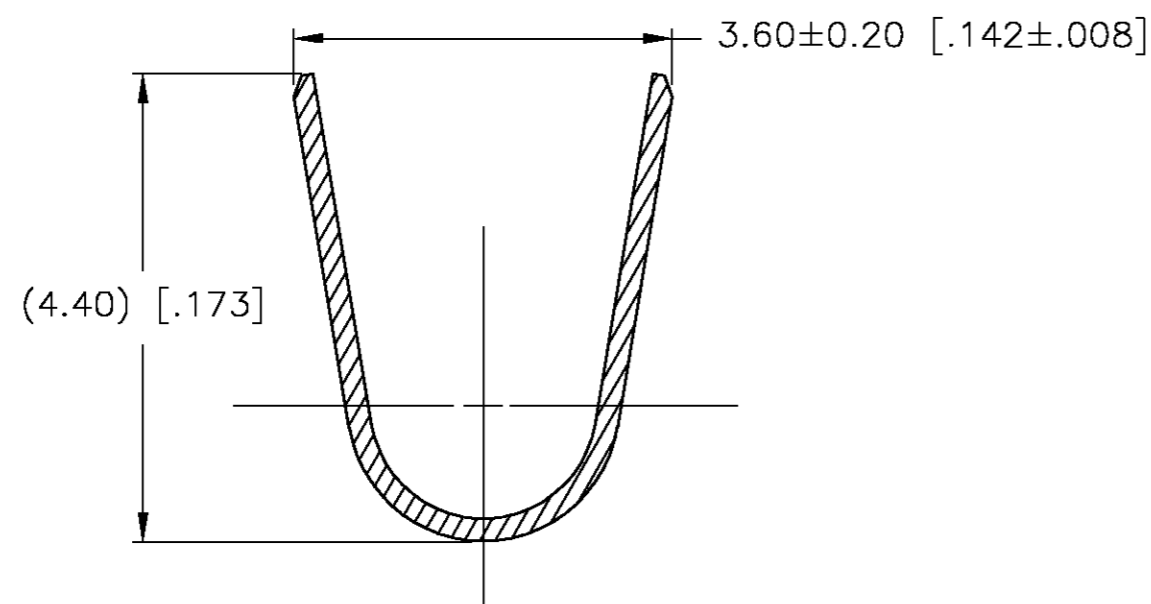
LOC	DIST	REVISIONS			
P	LTR	DESCRIPTION	DATE	DWN	APVD
CM	00	B	OG3B-0888-03	30-JAN-04	SH DC

△ 1 HAND TOOL PART NUMBER 734202-2

- 3. WIRE RANGE: 0.30-0.87mm² [.012-.034in²], (22-18 AWG).
- 4. INSULATION RANGE: 1.50-2.40 [.059-.094] DIAMETER.



SECTION B-B
SCALE 14:1



SECTION A-A
SCALE 14:1



794576-1	PRETINNED	0.22 [.009] PH. BRZ.	794577-1
STRIP (REF)	FINISH	MATERIAL	PART NUMBER

THIS DRAWING IS A CONTROLLED DOCUMENT.		DWN S. HOOVER 30-JAN-2004	Tyco Electronics Corporation	
DIMENSIONS: mm [INCHES]		CHK D. COLEY 30-JAN-2004	Harrisburg, Pa 17105-3608	
TOLERANCES UNLESS OTHERWISE SPECIFIED:		APVD D. COLEY 30-JAN-2004	NAME	
0 PLC ±	1 PLC ±	CONTACT, MALE, AMP-DUAC™		
2 PLC ± 0.10 [.004]	3 PLC ±	POWER CONNECTOR		
4 PLC ±	ANGLES ±	PRODUCT SPEC 108-1646	SIZE A2	CAGE CODE 00779
MATERIAL SEE CHART		APPLICATION SPEC 114-6067	DRAWING NO C=794577	RESTRICTED TO
FINISH SEE CHART		WEIGHT	SCALE 14:1	SHEET 1 OF 1
CUSTOMER DRAWING		REV B		