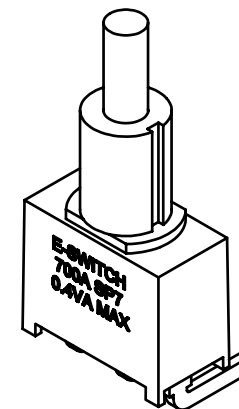
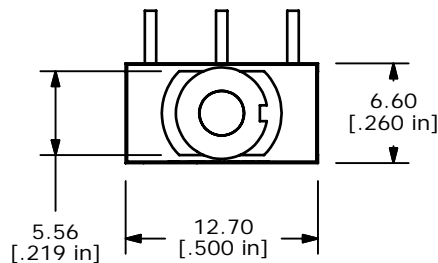


P.C. MOUNTING



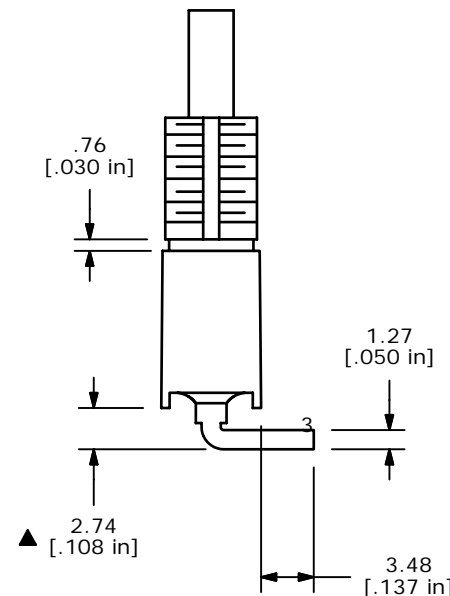
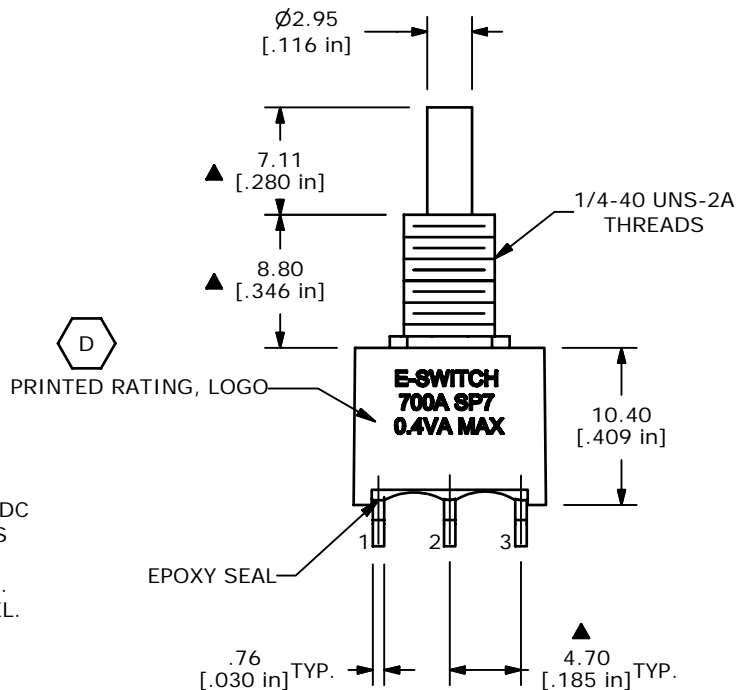
ISOMETRIC

SWITCH FUNCTION	
POS. 1	POS. 2
ON	(ON)
1-3	1-2

(ON) = MOMENTARY

NOTE:

- ALL DIMENSIONS IN MM [INCH]
- GENERAL TOLERANCE: X.X=±0.4
X.XX=±0.25
- TERMINAL NUMBERS FOR REF ONLY
- PLATING MATERIAL: GOLD
- ▲ RATING: 0.4 VOLT-AMPS MAX. @20V MAX AC OR DC
- ELECTRIC LIFE: 50,000 MAKE-AND-BREAK CYCLES AT FULL LOAD.
- INSULATION RESISTANCE: 1,000 MEGA-OHM MIN.
- DIELECTRIC STRENGTH: 1,500 V RMS @SEA LEVEL.
- OPERATING TEMP.: -30°C to 75°C
- ▲ DENOTES CRITICAL PARAMETER.
- 2002/95/EC (ROHS) COMPLIANT



D	17846	CORRECT PRINTED RATING	11/07/07	BLR
C	17840	DEFINE RATING LOCATION	11/02/07	BLR
B	17690	REMOVED MOUNTING BRACKET	9/19/07	BLR
A	17568	RELEASED FOR PRODUCTION	8/20/07	BLR
REV	PCR NO	DESCRIPTION	DATE	BY

THE INFORMATION CONTAINED IN THIS DOCUMENT IS PROPRIETARY TO E-SWITCH AND IS NOT TO BE COPIED OR TRANSFERRED



TITLE 700ASP7B10M6RE

SCALE	DATE	DR	DWG	REV
2:1	11/7/2007	BLR	T750101	D