

Flush-type connector - SACC-DSI-MS-17CON-M12 SCO SH - 1437119


Please be informed that the data shown in this PDF Document is generated from our Online Catalog. Please find the complete data in the user's documentation. Our General Terms of Use for Downloads are valid (<http://download.phoenixcontact.com>)



Sensor/actuator flush-type connector, plug, 17-pos., M12 SPEEDCON, shielded, A-coded, rear/screw mounting with M12 thread, with straight solder pins



Key commercial data

Packing unit	1 PCE
Catalog page	Page 49 (PC-2011)
GTIN	 4 046356 449601
Custom tariff number	85366990
Country of origin	GERMANY

Technical data

General data

Rated current at 40°C	1.5 A
Rated voltage	30 V
Number of positions	17
Volume resistance	≤ 3 mΩ
Insulation resistance	≥ 100 MΩ
Ambient temperature (operation)	-25 °C ... 85 °C (Plug / socket)

General characteristics

Standards/regulations	M12 plug-in connector IEC 61076-2-101
Coding	A - standard
Surge voltage category	II
Pollution degree	3
Degree of protection	IP67

Flush-type connector - SACC-DSI-MS-17CON-M12 SCO SH - 1437119

Technical data

General characteristics

Contact material	CuZn
Contact surface material	Au
Contact carrier material	PA 66
Material, knurls	Zinc die-cast, nickel-plated
Sealing material	NBR
Mounting type	Rear mounting M12 x 1 With flat nut
Connection method	Solder pins
Length of the solder contacts	6 mm
Status display	No

Classifications

ETIM

ETIM 3.0	EC002061
ETIM 4.0	EC002061
ETIM 5.0	EC002061

UNSPSC

UNSPSC 11	31251501
UNSPSC 12.01	31251501
UNSPSC 13.2	31251501
UNSPSC 6.01	31251501
UNSPSC 7.0901	31251501

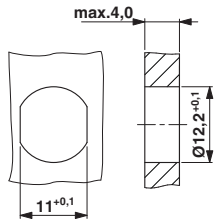
eCl@ss

eCl@ss 4.0	27250313
eCl@ss 4.1	27250313
eCl@ss 5.0	27143423
eCl@ss 5.1	27143423
eCl@ss 6.0	27143423
eCl@ss 7.0	27449001

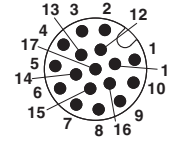
Drawings

Flush-type connector - SACC-DSI-MS-17CON-M12 SCO SH - 1437119

Dimensioned drawing



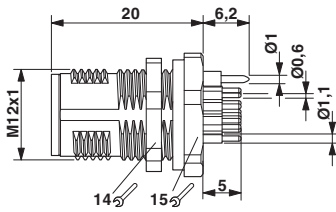
Schematic diagram



Pin assignment M12 male connector, 17-pos., male side view

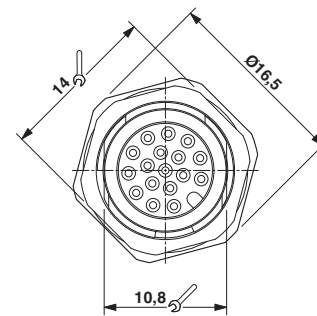
Panel cutout

Dimensioned drawing



M12 flush-type connector

Dimensioned drawing



Front view of M12 flush-type connector

Flush-type connector - SACC-DSI-MS-17CON-M12 SCO SH - 1437119

Drilling diagram

