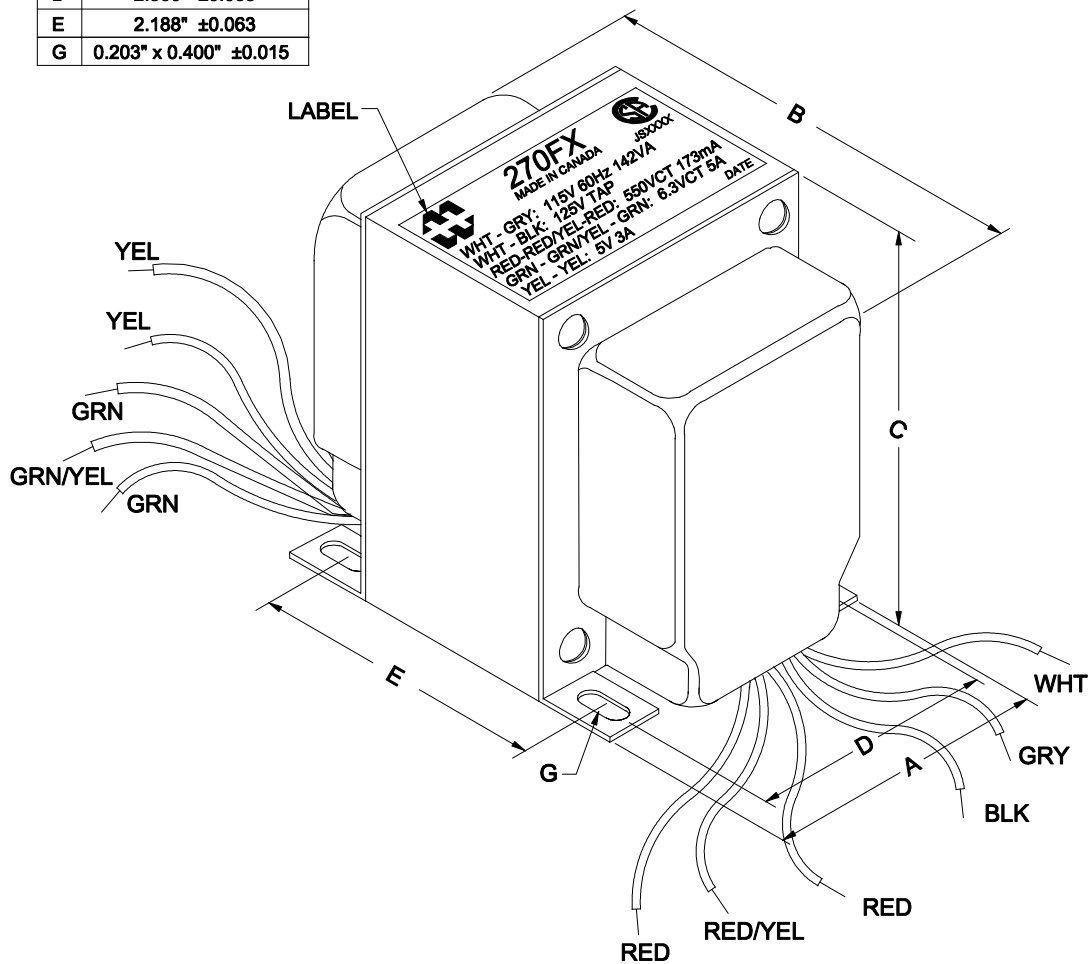
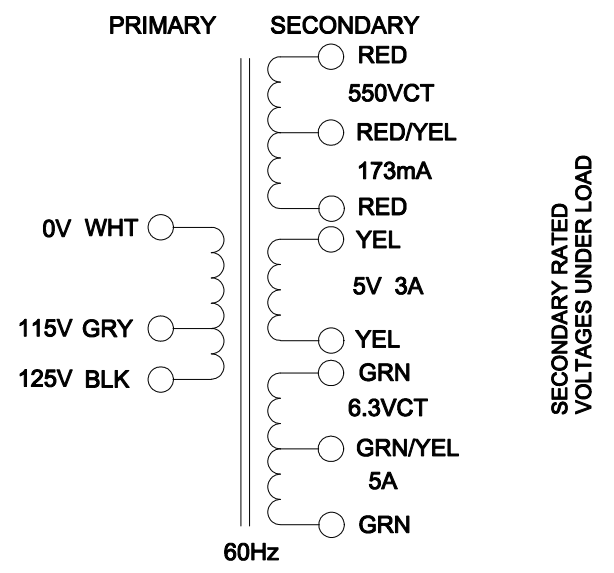


DIMENSIONS:	
A	3.125" ±0.063
B	3.438" ±0.125
C	3.800" ±0.063
D	2.500" ±0.063
E	2.188" ±0.063
G	0.203" x 0.400" ±0.015



NOTE: ALL LEADS 6" OUT MIN. STRIPPED 0.5"



ELECTRICAL DATA:		
TESTS	CONDITIONS	ACCEPTANCE CRITERIA
Iex	@ 125V, 60Hz, WHT - BLK	244.8mA Max.
Sec. N.L.V	@ 125V, 60Hz, WHT - BLK	
	RED - RED =	597.0V ±2%
	RED - RED/YEL = RED/YEL - RED =	298.5V ±2%
	YEL - YEL =	5.540V ±2%
	GRN - GRN/YEL = GRN/YEL - GRN =	3.463V ±2%
	GRN - GRN =	6.925V ±2%
DCR	@ 20°C, WHT - BLK =	2.604 Ω ±20%
	@ 20°C, RED - RED =	93.34 Ω ±20%
	@ 20°C, YEL - YEL =	0.079 Ω ±20%
	@ 20°C, GRN - GRN =	0.053 Ω ±20%
HIPOT	PRIMARY - SECONDARY	2000V, 60Hz, 1 SEC

REV.#	REVISION	DATE	HAMMOND ELECTRONIC DIVISION		52 RANKIN PLACE, WATERLOO, ONTARIO, N2J 3Z5		PH # (519) 886-6181
0	RELEASED.	C.I. 11/15/12	MANUFACTURING™				FAX # (519) 886-9540
			DWG. BY: C. ILIE	CHK'D BY:	TITLE: POWER TRANSFORMER	DWG. NO. 270FX	
			DATE: 11/15/12	APP'D. BY:			
				DIMENSIONS: IN(X) MM( )			