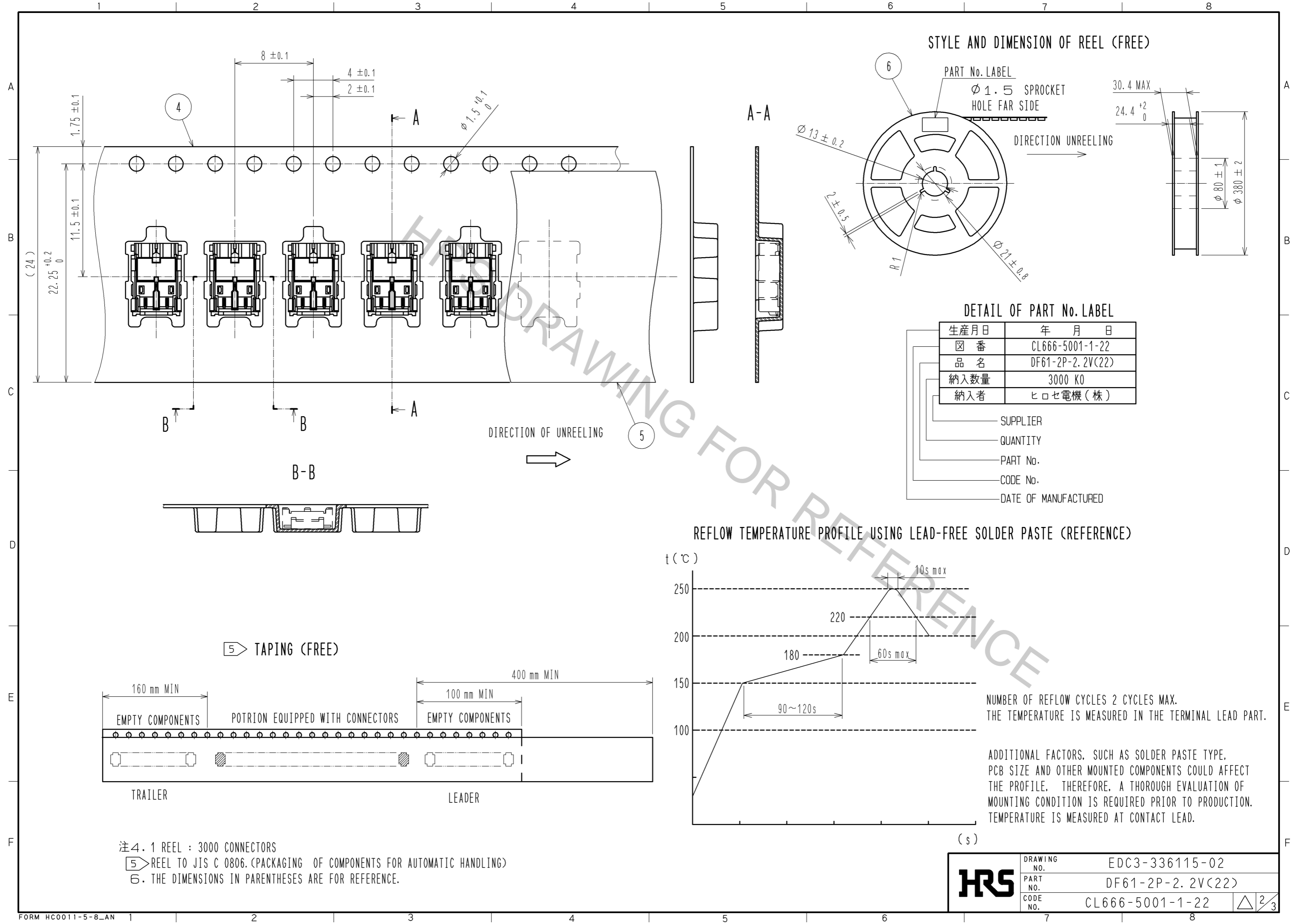


NOTE1. LEAD CO-PLANARITY SHALL BE 0.1mmMAX

2. :FOR THE USE UNDER 350 V CONDITION. PLEASE DESIGN THE LAYOUT TO KEEP ENOUGH CREEPAGE DISTANCE. AND ARRANGE NO CONDUCTIVE TRACE OR RESIST COVERAGE IF NECESSARY.

3. PLEASE CONSULT HIROSE WHEN THE PRODUCT IS MONUTED TO FPC.

3	BRASS	SURFACE:TIN PLATING 1 $\mu$ mMIN UNDER PLATING:NICKEL PLATING 0.5 $\mu$ mMIN	6	PS	REEL. BLACK
2	BRASS	SURFACE:TIN PLATING 1 $\mu$ mMIN UNDER PLATING:NICKEL PLATING 0.5 $\mu$ mMIN	5	POLYESTER	CLEERC(COVER TAPE)
1	LCP	UL94V-0. YELLOW	4	PS	CLEERC(ENBOSSED CARRIER TAPE)
NO.	MATERIAL	FINISH . REMARKS	NO.	MATERIAL	FINISH . REMARKS



STYLE AND DIMENSION OF REEL (FREE)

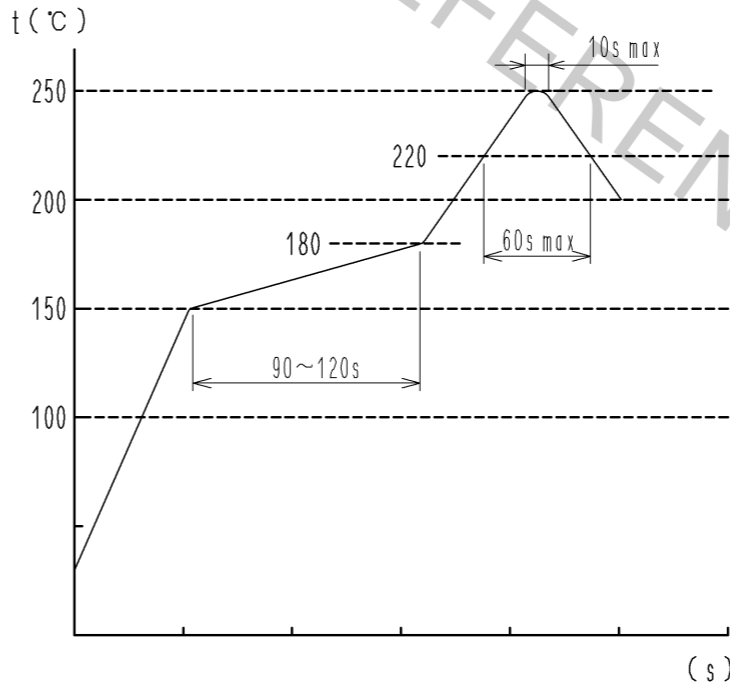
PART No. LABEL  
 Ø 1.5 SPROCKET  
 HOLE FAR SIDE

DETAIL OF PART No. LABEL

生産月日	年 月 日
箱 番	CL666-5001-1-22
品 名	DF61-2P-2.2V(22)
納入数量	3000 K0
納入者	ヒロセ電機(株)

- SUPPLIER
- QUANTITY
- PART No.
- CODE No.
- DATE OF MANUFACTURED

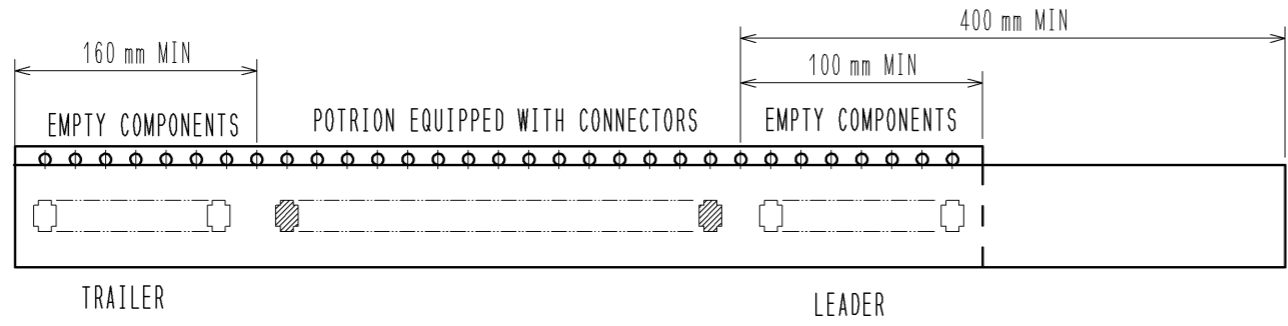
REFLOW TEMPERATURE PROFILE USING LEAD-FREE SOLDER PASTE (REFERENCE)



NUMBER OF REFLOW CYCLES 2 CYCLES MAX.  
 THE TEMPERATURE IS MEASURED IN THE TERMINAL LEAD PART.

ADDITIONAL FACTORS, SUCH AS SOLDER PASTE TYPE,  
 PCB SIZE AND OTHER MOUNTED COMPONENTS COULD AFFECT  
 THE PROFILE. THEREFORE, A THOROUGH EVALUATION OF  
 MOUNTING CONDITION IS REQUIRED PRIOR TO PRODUCTION.  
 TEMPERATURE IS MEASURED AT CONTACT LEAD.

5 TAPING (FREE)



注4. 1 REEL : 3000 CONNECTORS  
 5 REEL TO JIS C 0806. (PACKAGING OF COMPONENTS FOR AUTOMATIC HANDLING)  
 6. THE DIMENSIONS IN PARENTHESES ARE FOR REFERENCE.

<b>HRS</b>	DRAWING NO.	EDC3-336115-02
	PART NO.	DF61-2P-2.2V(22)
	CODE NO.	CL666-5001-1-22
		△ 2/3

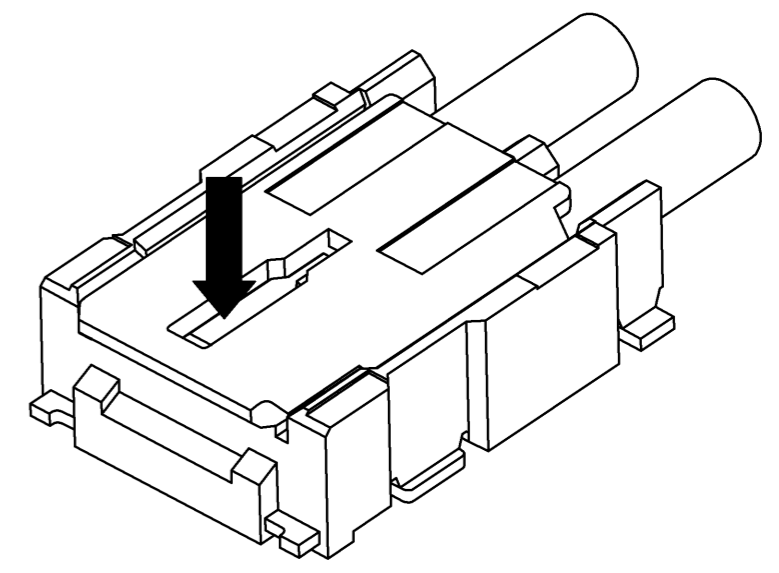
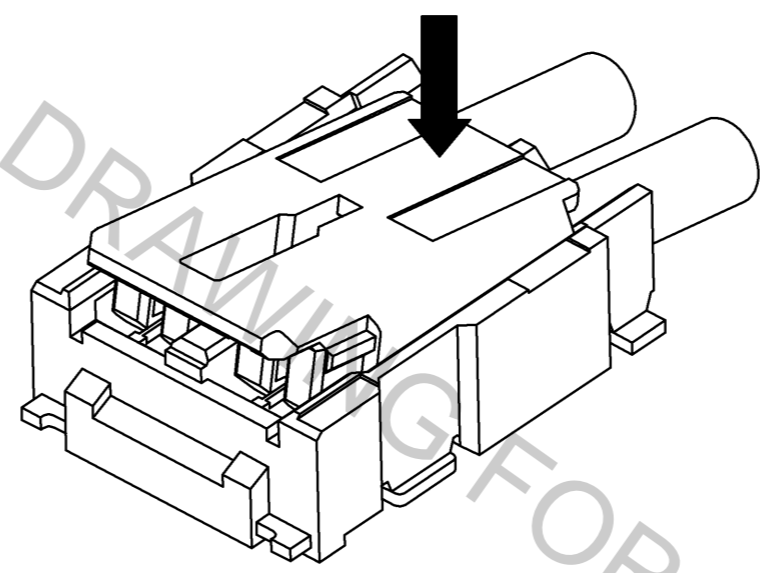
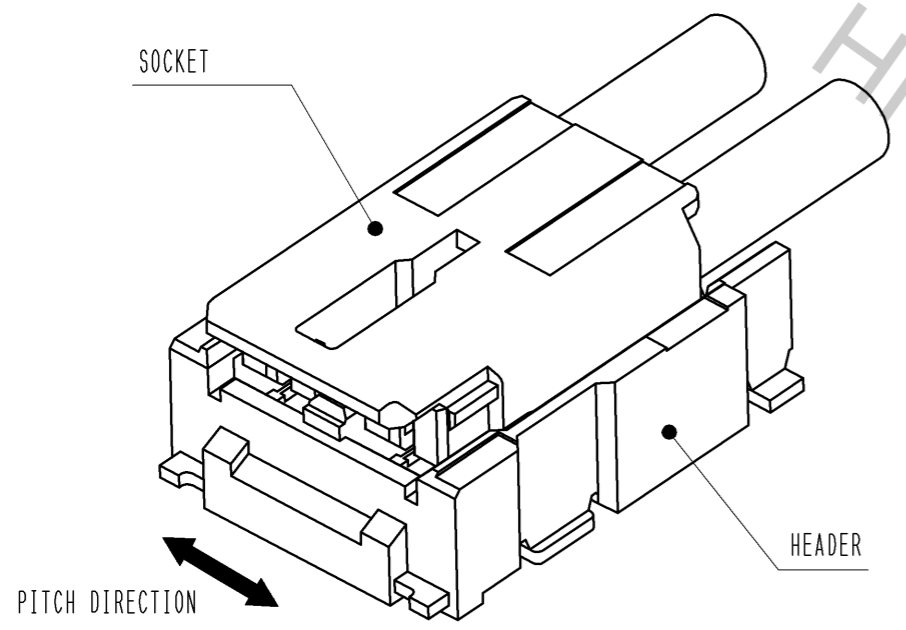
# DF61 Series Mating / Unmating Operation Instruction

## Mating

① By positioning the convexity of the socket sides to the header concavity, align the centers of the socket and the header in pitch direction.

② Slightly press the socket down at cable side to tilted angle.

③ Press down at the lever side with stabilizing the cable side to insert. Mating completes.

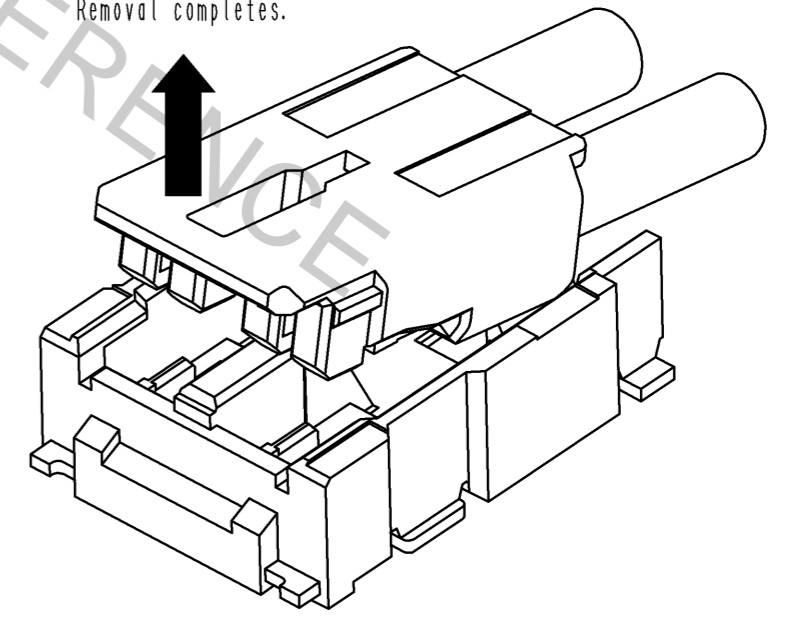
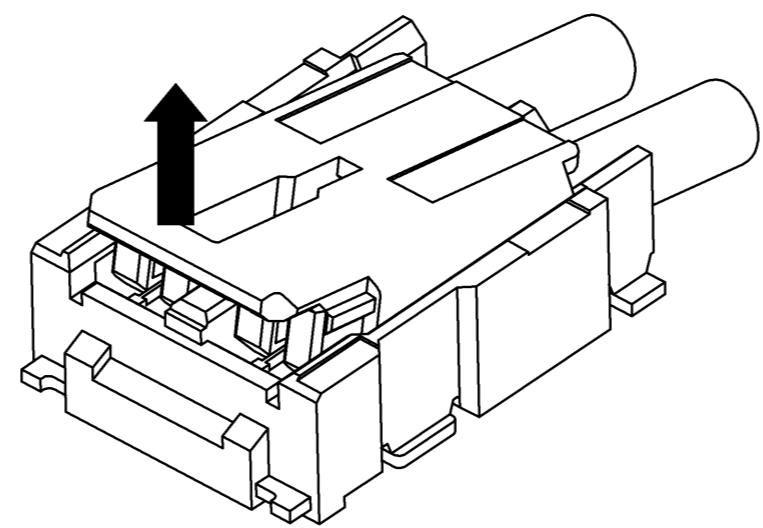
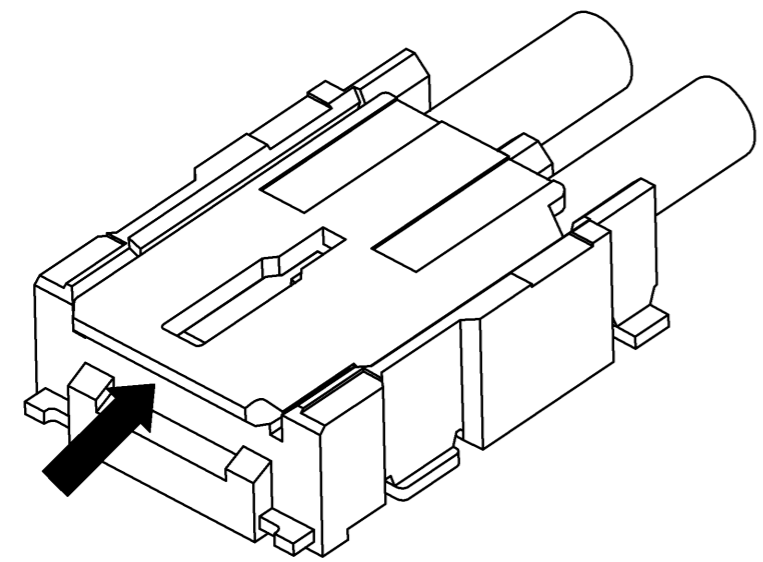


## Unmating

① Hook the lever with finger nail.

② Lift up to the upper direction and friction lock is released.

③ Lift up to the upper direction and positive lock is released. Removal completes.



図番:	EDC3-336115-02
製品名:	DF61-2P-2.2V(22)
製品コード:	CL666-5001-1-22

Apr.1.2017 Copyright 2017 HIROSE ELECTRIC CO., LTD. All Rights Reserved.