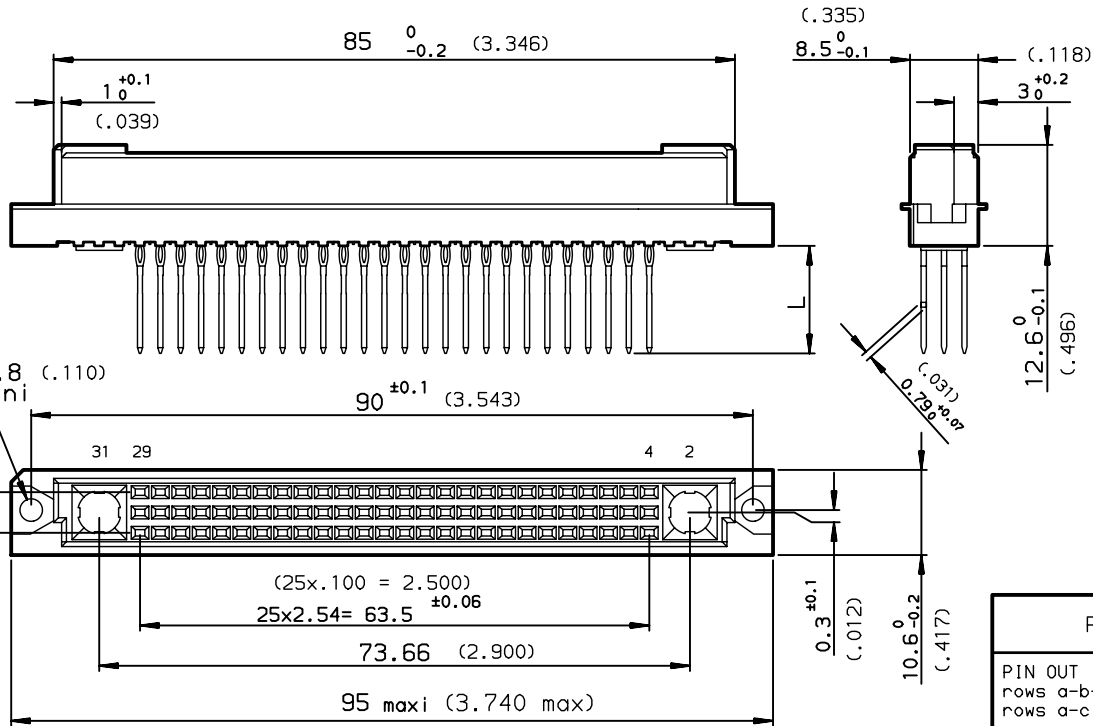
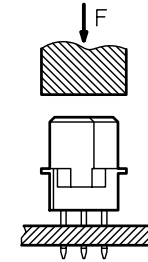


DIMENSIONS mm (inches)



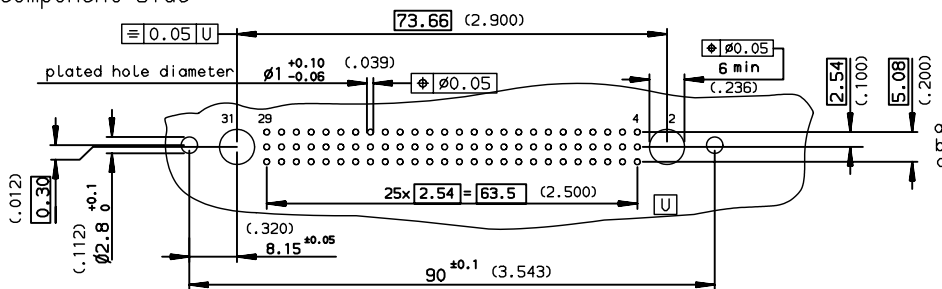
METHOD OF INSERTION  
ON THE PCB = FLAT ROCK



PART NUMBER	8609		B1	7	5	
PIN OUT						
rows a-b-c			3	78		
rows a-c			4	52		
NUMBER OF CONTACTS						
TERMINATION						
L = 13.10 ±0.20 (.515)		1 wrap			91	
L = 17.10 ±0.20 (.673)		2 wraps			92	
L = 3.00 ±0.20 (.118)		short post			94	
PERFORMANCE CLASS						
DIN 41612 class 3					4	
DIN 41612 class 2					5	
DIN 41612 class 1					6	
TERMINATION TYPE						
TIN LEAD						000E3
LEAD FREE						E3LF

PCB DRILLING  
component side

PERFORMANCES AS PER DIN 41612



GENERAL CHARACTERISTICS AND ROHS INFORMATIONS:

SEE DRAWING C-8609-0000C

European Views

www.fciconnect.com	surface ISO 1302	tolerance std ISO 406 ISO 1101	projection mm
	ANGULAR	LINEAR	mm
Dr ROUILLARD 1997/01/27	0.X	±0.1	size A3
Eng TARON 1997/01/27	0.XX	±0.1	Scale 1.5
Chr LEGARE 1997/01/27	0.XX' ±2'	0.XXX	±0.1
Appr LEGARE 1997/01/27	Product family DIN 8609		ECN LS06-0095
	Spec ref -		
<b>FCI</b>	title STRAIGHT FEMALE - STYLE M		Rev. D
	PRESS FIT		dwg no C-8609-0555
	catalog no -	CUSTOMER	sheet 1 of 1

rev	ecn no	dr	date
B	-	ROU	1997/11/05
C	LS05-004	JTA	2005/02/28
D	LS06-0095	LGO	2006/07/12
-	-	-	-
-	-	-	-
-	-	-	-