

H G F E D C B A

4

3

2

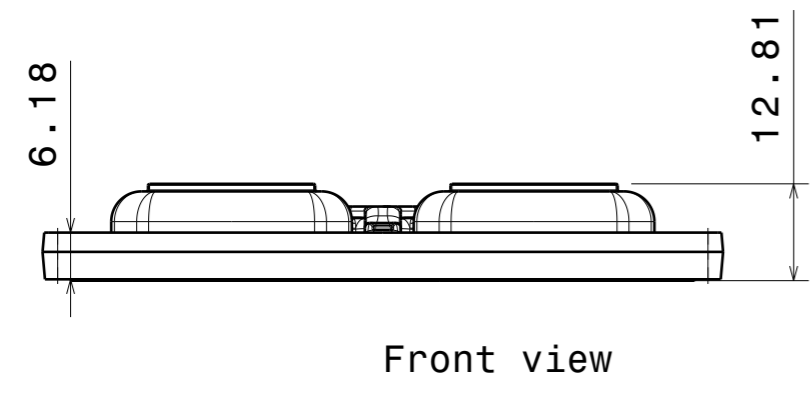
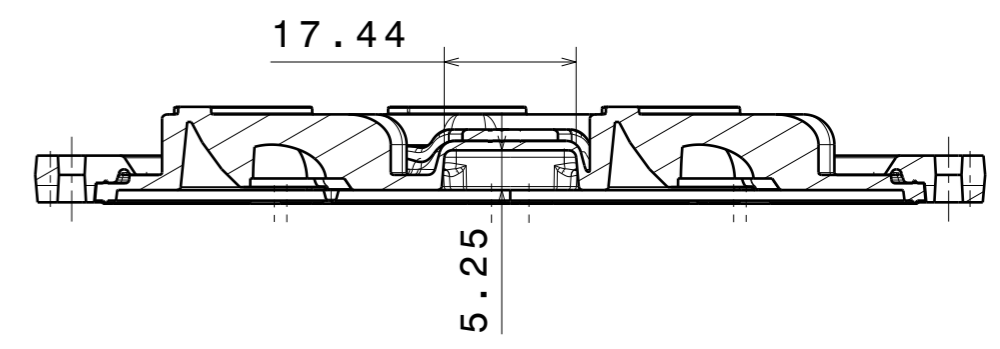
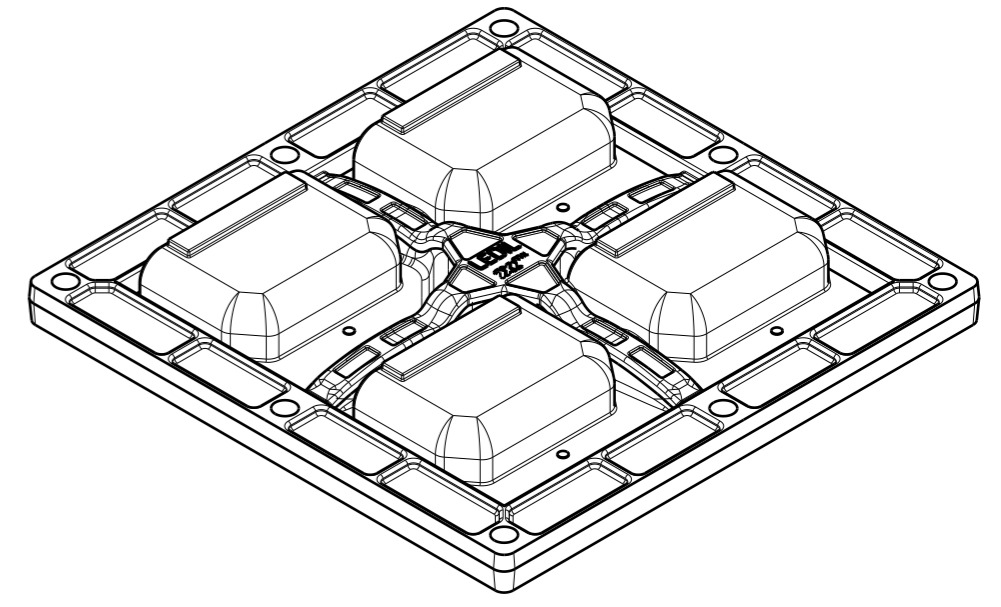
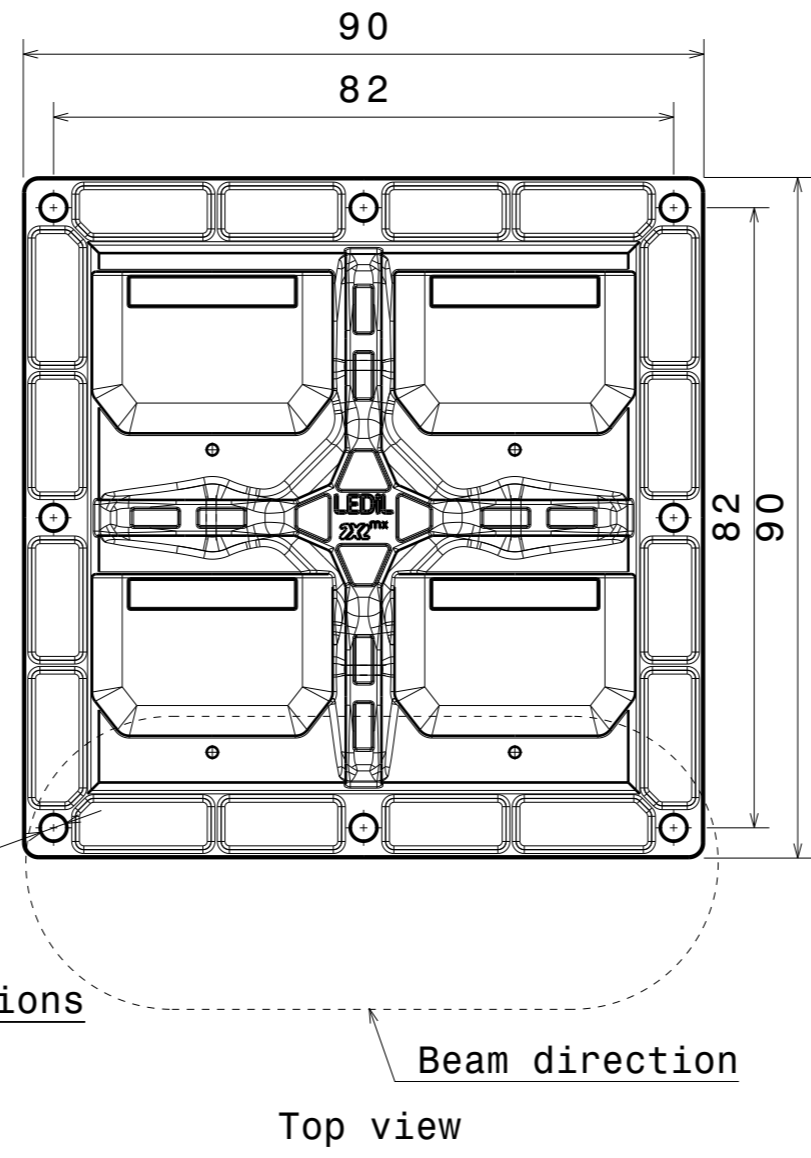
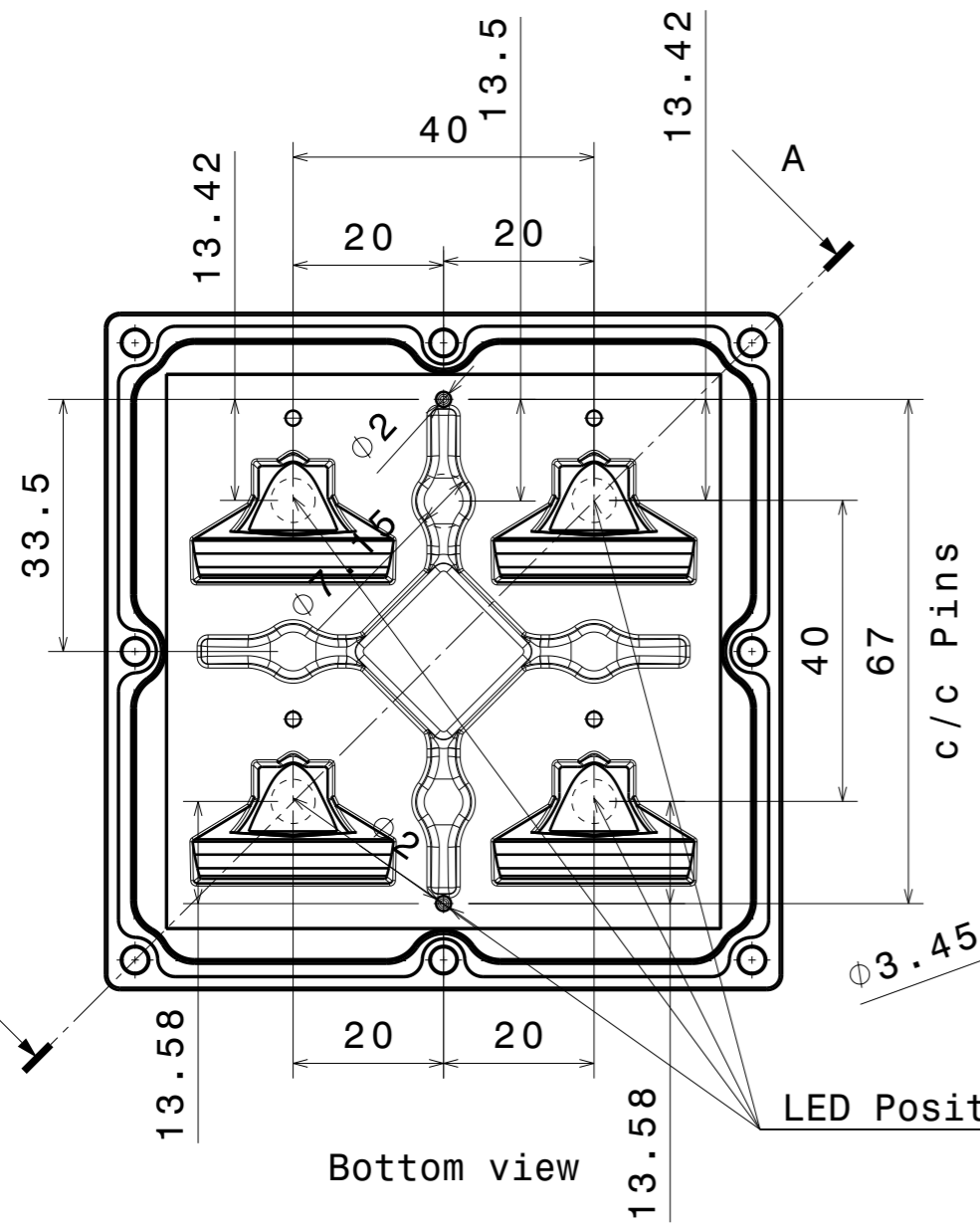
1

4

3

2

1



INDEX	PART NO	DESCRIPTION	MATERIAL	COLOUR
1	F14813	STRADA-2X2MXS-FRAME	PA GF	black
2	F15582	STRADA-2X2MXS-T2	Silicone	

Tolerances if not otherwise shown  
 According to DIN ISO 2768-1  
 Linear measures:  
 Up to 30mm class M, otherwise class C  
 According to DIN ISO 2768-2  
 Form and position: class L

THIRD ANGLE PROJECTION:

This drawing is the property of LEDiL Oy. It may not be reproduced, copied or communicated without a written agreement with LEDiL Oy.

**LEDiL** Ledil Oy  
 Salorankatu 10  
 FIN 24240 SALO  
 Finland

DRAWING TITLE  
**Mechanical Drawing**

SIZE	PART NUMBER
<b>A3</b>	<b>FP15589</b>
SCALE	1:1
WEIGHT	-
SHEET	1/1

H G F E D C B A