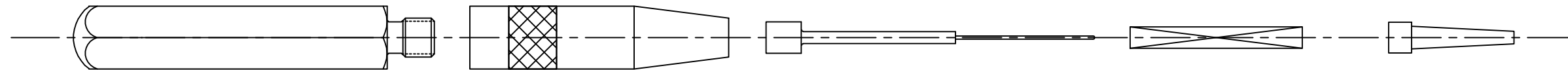
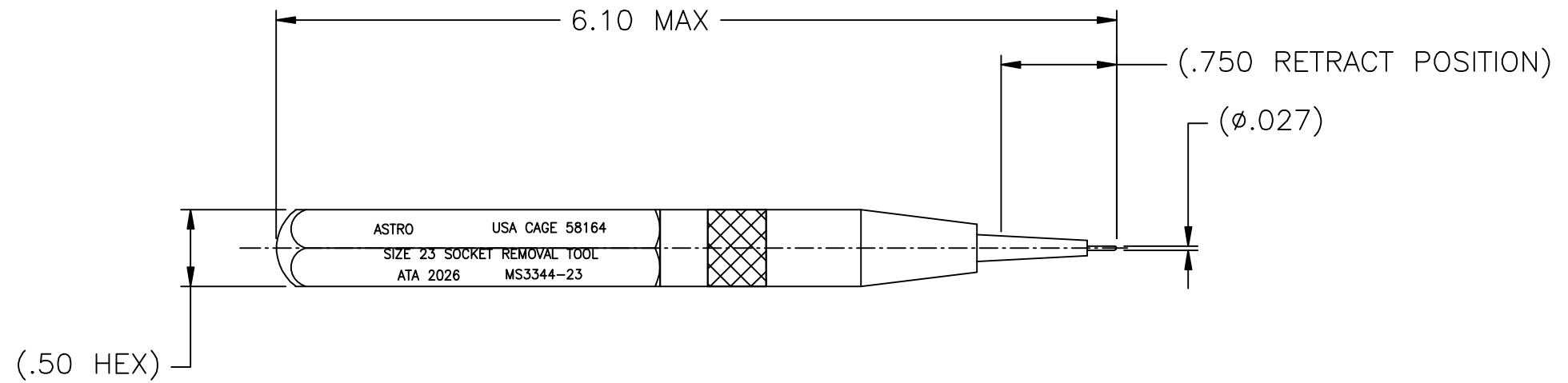



**UNCONTROLLED DOCUMENT  
WILL NOT BE UPDATED**



2. COLOR CODE: YELLOW.

1. THIS IS AN AUTOCAD DRAWING, NO NOT CHANGE

NOTES: MANUALLY.

					THESE DRAWINGS, SPECIFICATIONS OR OTHER DATA ARE AND REMAIN THE PROPERTY OF ASTRO TOOL CORP. AND MUST BE RETURNED UPON REQUEST. THEY CONTAIN INFORMATION OWNED AND/OR DEVELOPED BY ASTRO AT ITS OWN PRIVATE EXPENSE AND MAY NOT BE USED, DUPLICATED OR DISCLOSED TO OTHERS, IN WHOLE OR IN PART FOR DESIGN, MANUFACTURE OR PROCUREMENT WITHOUT THE WRITTEN PERMISSION OF ASTRO TOOL CORP. EACH AND EVERY TIME.	SCALE:	N.T.S.	UNLESS OTHERWISE SPECIFIED: DECIMALS: .XXX ± .005 .XX ± .010 .X ± .030 ANGLES: ± 1°	 CAGE 58164 21615 S.W. TUALATIN VALLEY HWY., BEAVERTON OR 97006
						DWN BY:	DYO		
					DATE:	01-09-13	DESCRIPTION: ENVELOPE DRAWING: ATA 2026 REMOVAL TOOL 23 GA.		
REV.	DESCRIPTION	BY	DATE	APR.	PART NO. B ATA 2026-ENV				