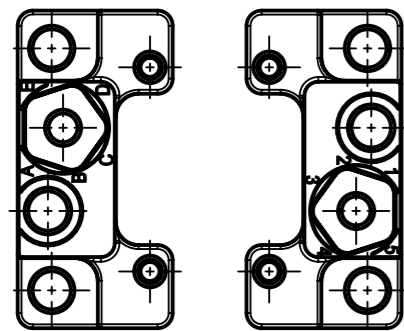


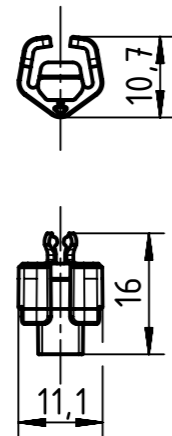
Coding Possibilities

A1 	B1 	C1 	D1 	E1
A2 	B2 	C2 	D2 	E2
A3 	B3 	C3 	D3 	E3
A4 	B4 	C4 	D4 	E4
A5 	B5 	C5 	D5 	E5

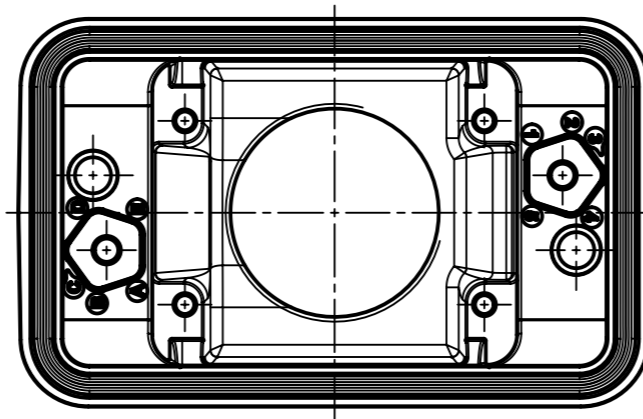
Panel Mounting flange



Coding Pin



Han HP Direct Hood



Preferred combinations in bold
Hood and mounting flanges have to be coded in the same way

	All Dimensions in mm Original Size DIN A3	Scale 1:1	Free size tol.	Ref.
	All rights reserved Department EL PD - CN			Sub.
	Created by LONGL	Inspected by WENE	Standardisation TIEMANNA	Date 2017-05-05
	Title Han HP Direct Coding Pin Set			State Final Release
HARTING (Zhuhai) Manufacturing Co., Ltd. 519085 Zhuhai, China			Type TB	Number 09 39 000 9903
Doc-Key / ECM-Nr. 100653267/UGD/002/A 500000118539				Rev. A Page 1/1