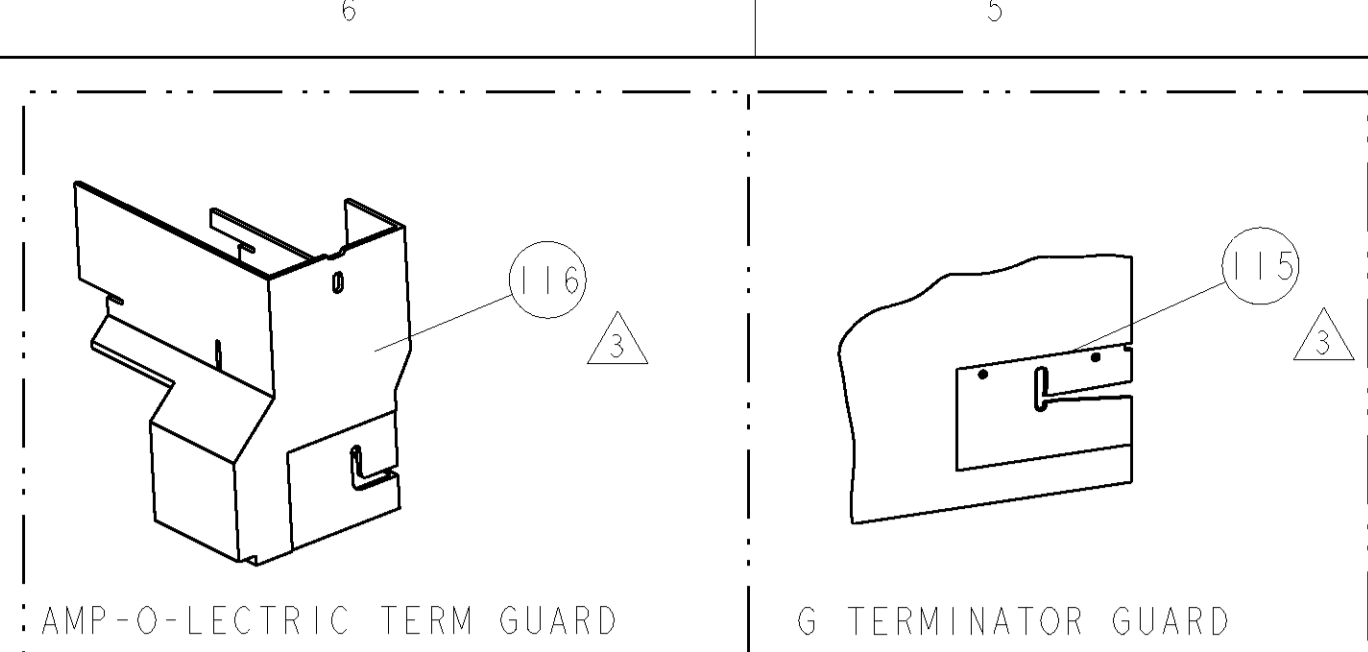
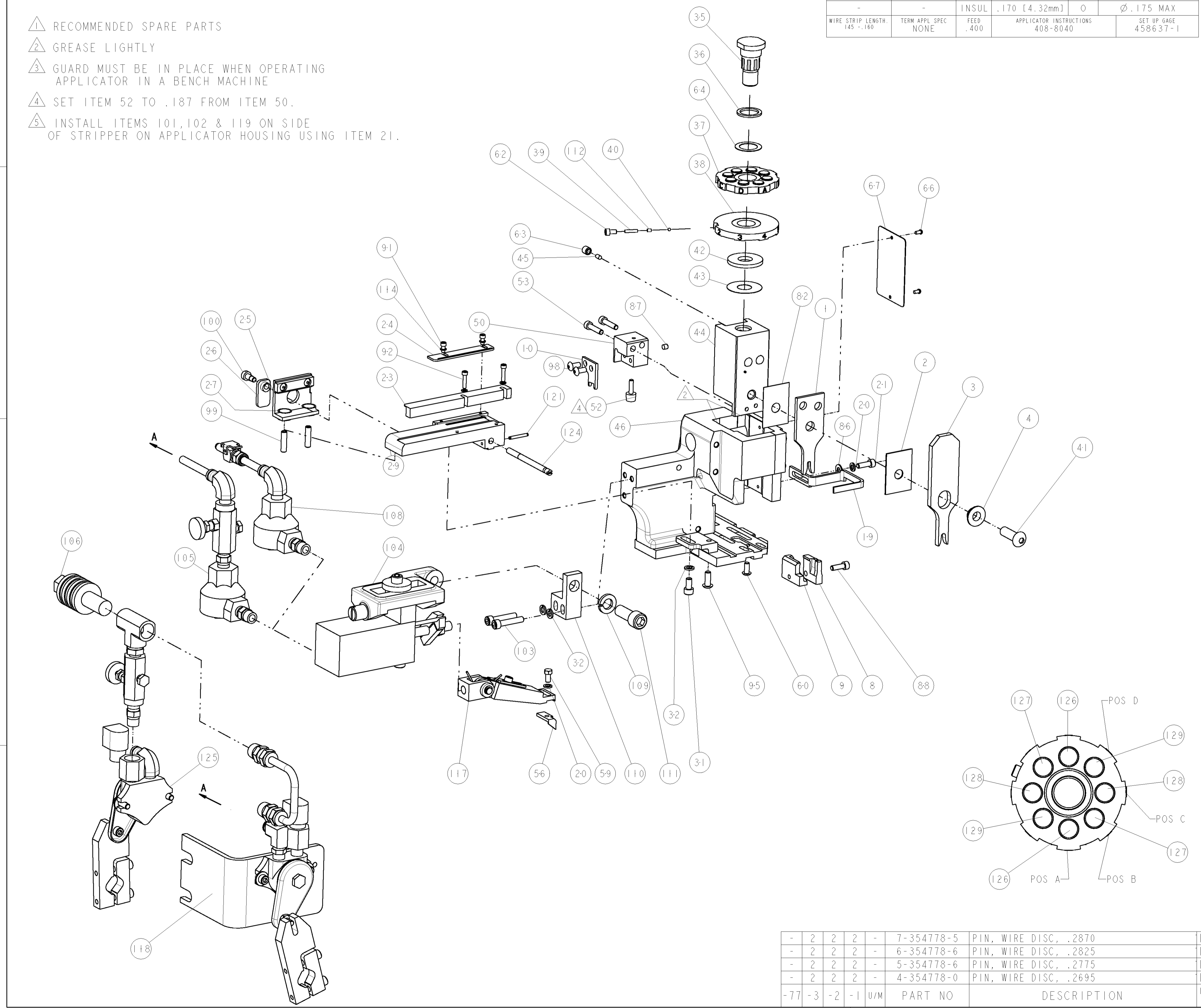


| PART NUMBER | REV | FIRST USED | POWER UNIT    | FEED TYPE | DESCRIPTION  |
|-------------|-----|------------|---------------|-----------|--------------|
| 1852796-1   | A   | 122500-1   | LEADMAKER     | AIR FEED  | CUTS CARRIER |
| 1852796-2   | A   | 565435-5   | BENCH MODEL K | AIR FEED  | CUTS CARRIER |
| 1852796-3   | A   | 354500-1   | BENCH MODEL G | AIR FEED  | CUTS CARRIER |
| 7-1852796-7 | A   | -          | -             | -         | SPARE PARTS  |



| TYCO PN                      |                     | MFR PN    |                                  | ARKLES TERM - TE CRIMP SPECS |           |
|------------------------------|---------------------|-----------|----------------------------------|------------------------------|-----------|
| 1949853                      | 4000-3G2-10         |           |                                  |                              |           |
|                              |                     | PAD LTR   |                                  | CRIMP HEIGHT                 | WIRE SIZE |
| -                            | -                   | A         | .094±.002 [2.39±0.05mm]          |                              | 14AWG     |
| -                            | -                   | B         | .086±.002 [2.18±0.05mm]          |                              | 16AWG     |
| -                            | -                   | C         | .081±.002 [2.06±0.05mm]          |                              | 18AWG     |
| -                            | -                   | D         | .077±.002 [1.96±0.05mm]          |                              | 20AWG     |
|                              |                     | CRIMP     | SIZE                             | TYPE                         | RANGE     |
| -                            | -                   | WIRE      | .110 [2.79mm]                    | F                            | 14-20 AWG |
| -                            | -                   | INSUL     | .170 [4.32mm]                    | O                            | ∅.175 MAX |
| WIRE STRIP LENGTH: 145 -.160 | TERM APPL SPEC NONE | FEED .400 | APPLICATOR INSTRUCTIONS 408-8040 | SET UP GAGE 458637-1         |           |

- △ RECOMMENDED SPARE PARTS
- △ GREASE LIGHTLY
- △ GUARD MUST BE IN PLACE WHEN OPERATING APPLICATOR IN A BENCH MACHINE
- △ SET ITEM 52 TO .187 FROM ITEM 50.
- △ INSTALL ITEMS 101, 102 & 119 ON SIDE OF STRIPPER ON APPLICATOR HOUSING USING ITEM 21.



| LOC |    | DIST  |          | REVISONS    |           |
|-----|----|-------|----------|-------------|-----------|
| A   | 66 | P LTR |          | DESCRIPTION | DATE      |
|     |    | A     | RELEASED |             | 13FEB2009 |
|     |    |       |          |             | BH        |
|     |    |       |          |             | BH        |

|   |     |     |    |    |             |                                      |     |
|---|-----|-----|----|----|-------------|--------------------------------------|-----|
| - | -   | 1   | -  | -  | 455350-4    | AIR BLAST ASS'Y                      | 125 |
| - | -   | 1   | 1  | 1  | 690432-3    | ADJUSTMENT SCREW                     | 124 |
| - | -   | 1   | 1  | 1  | 4-21028-0   | PIN, SLOTTED SPRING .094 X .750      | 121 |
| - | 18  | 24  | 18 | IN | 27319-4     | TUBING, POLY-FLO, NATURAL            | 119 |
| - | -   | 1   | -  | .. | 692655-6    | AIR FEED VALVE ASSEMBLY              | 118 |
| - | -   | 1   | 1  | 1  | 461062-1    | FEED FINGER ASSEMBLY                 | 117 |
| - | -   | REF | -  | .. | 455749-1    | GUARD WINDOW                         | 116 |
| - | REF | -   | -  | .. | 679532-1    | INSERT, GUARD                        | 115 |
| - | 4   | 4   | 4  | -  | 21024-2     | WASHER, SPRG LOCK, REG NO 4          | 114 |
| - | 1   | 1   | 1  | 1  | 690603-1    | SPRING ASSIST AMP-O-MATOR APPLICATOR | 112 |
| - | 1   | 1   | 1  | 1  | 3-21001-5   | SCR, SKT HD CAP 3/8-16 X 1.000       | 111 |
| - | 1   | 1   | 1  | 1  | 459610-1    | MOUNT, FEED BRACKET                  | 110 |
| - | 1   | 1   | 1  | 1  | 21024-8     | WASHER, SPRG LOCK, REG 3/8           | 109 |
| - | 1   | -   | 1  | -  | 692655-7    | AIR FEED VALVE ASSEMBLY              | 108 |
| - | -   | 1   | -  | -  | 24042-2     | VALVE, SLEEVE, 3-WAY                 | 106 |
| - | -   | 1   | -  | -  | 692655-5    | AIR FEED VALVE ASSEMBLY              | 105 |
| - | -   | 1   | 1  | 1  | 461065-1    | ASSEMBLY, AIR FEED                   | 104 |
| - | 2   | 2   | 2  | -  | 3-21000-9   | SCR, SKT HD CAP 10-32 X 1.000        | 103 |
| - | 1   | 1   | 1  | 1  | 986220-3    | CLAMP, CABLE, BLACK                  | 102 |
| - | 1   | -   | 1  | .. | 23238-1     | INSERT, COUPLING                     | 101 |
| - | 1   | 1   | 1  | 1  | 22353-8     | SCR, SHLD, SLOT HD, 3/16 DIA         | 100 |
| - | 2   | 2   | 2  | -  | 5-21006-6   | SCR, SET, CUP POINT 10-32 X .750     | 99  |
| - | 2   | 2   | 2  | -  | 2-21002-1   | SCR, BTN SKT HD CAP 8-32 X .375      | 98  |
| - | 1   | 1   | 1  | 1  | 2-21002-7   | SCR, BTN SKT HD CAP 10-32 X .500     | 95  |
| - | 2   | 2   | 2  | -  | 1-21000-5   | SCR, SKT HD CAP 4-40 X .500          | 92  |
| - | 2   | 2   | 2  | -  | 1-21000-3   | SCR, SKT HD CAP 4-40 X .250          | 91  |
| - | 1   | 1   | 1  | 1  | 2-21000-7   | SCR, SKT HD CAP 8-32 X .500          | 88  |
| - | 1   | 1   | 1  | 1  | 21078-2     | SET SCREW, SOCKET HD, OVAL POINT     | 87  |
| - | 1   | 1   | 1  | 1  | 21055-6     | WASHER, FLAT, REG NO 8               | 86  |
| - | 1   | 1   | 1  | 1  | 455888-2    | SPACER, CRIMPER                      | 82  |
| - | 1   | 1   | 1  | 1  | 4088040     | SF APPL INST 408-8040                | 72  |
| - | 1   | 1   | 1  | 1  | 217238-1    | GENERAL INSTRUCTION PKG              | 71  |
| - | 1   | 1   | 1  | 1  | 461264-1    | PLATE, IDENTIFICATION                | 67  |
| - | 2   | 2   | 2  | -  | 21017-2     | SCREW, DRIVE                         | 66  |
| - | 1   | 1   | 1  | 1  | 986950-1    | WASHER, FLAT PRECISION               | 64  |
| - | 1   | 1   | 1  | 1  | 21009-2     | SCR, SET, SELF LOCKING 1/4-20 X .250 | 63  |
| - | 1   | 1   | 1  | 1  | 23030-1     | SCR, SKT HD CAP 6-32 X .25           | 62  |
| - | 1   | 1   | 1  | 1  | 22733-8     | SCR, BHSC, SELF-LOCKING, 8-32 X .375 | 60  |
| - | 1   | 1   | 1  | 1  | 2-22603-0   | SCR, HEX HD CAP 8-32 X .312          | 59  |
| - | 1   | 1   | 1  | 1  | 3-694433-9  | FEED PAWL                            | 56  |
| - | 2   | 2   | 2  | -  | 811242-8    | SCR, SKT HD CAP 8-32 X .750          | 53  |
| - | 1   | 1   | 1  | 1  | 2-21000-9   | SCR, SKT HD CAP 10-32 X .375         | 52  |
| - | 1   | 1   | 1  | 1  | 1-1583893-1 | HOLDER, SLUG BLADE                   | 50  |
| - | 1   | 1   | 1  | 1  | 1633399-1   | APPL., BASIC AIR FEED SUB ASSY       | 46  |
| - | 1   | 1   | 1  | 1  | 690191-1    | PLUG, NYLON                          | 45  |
| - | 1   | 1   | 1  | 1  | 455673-1    | RAM, SIDE FEED                       | 44  |
| - | 1   | 1   | 1  | 1  | 690125-1    | SHIM SUB-ASSY                        | 43  |
| - | 1   | 1   | 1  | 1  | 690124-1    | WASHER, RAM (.115)                   | 42  |
| - | 1   | 1   | 1  | 1  | 7-21002-9   | SCR, BTN SKT HD CAP 5/16-24 X 1.00   | 41  |
| - | 1   | 1   | 1  | 1  | 23241-6     | BALL, STEEL                          | 40  |
| - | 1   | 1   | 1  | 1  | 690170-1    | SPRING, COMPRESSION                  | 39  |
| - | 1   | 1   | 1  | 1  | 690142-1    | DISC, INSULATION                     | 38  |
| - | 1   | 1   | 1  | 1  | 354777-1    | WIRE DISC, ASSEMBLY                  | 37  |
| - | 1   | 1   | 1  | 1  | 22480-5     | SPRING, COMPRESSION                  | 36  |
| - | 1   | 1   | 1  | 1  | 690212-1    | POST, RAM                            | 35  |
| - | 3   | 3   | 3  | -  | 21024-5     | WASHER, SPRG LOCK, REG NO 10         | 32  |
| - | 1   | 1   | 1  | 1  | 3-21000-4   | SCR, SKT HD CAP 10-32 X .375         | 31  |
| - | 1   | 1   | 1  | 1  | 2-844048-8  | PLATE, REAR STRIP GUIDE              | 29  |
| - | 2   | 2   | 2  | -  | 1-22284-0   | SPRING, COMPRESSION                  | 27  |
| - | 1   | 1   | 1  | 1  | 240793-1    | LEVER, DRAG RELEASE                  | 26  |
| - | 1   | 1   | 1  | 1  | 679754-1    | STOCK DRAG ASSEMBLY                  | 25  |
| - | 1   | 1   | 1  | 1  | 1-690438-5  | FRONT STRIP GUIDE                    | 24  |
| - | 1   | 1   | 1  | 1  | 2-189124-8  | GUIDE, FRONT STRIP                   | 23  |
| - | 1   | 1   | 1  | 1  | 2-21000-7   | SCR, SKT HD CAP 8-32 X .500          | 21  |
| - | 2   | 2   | 2  | -  | 21024-4     | WASHER, SPRG LOCK, REG NO 8          | 20  |
| - | 1   | 1   | 1  | 1  | 1-456468-1  | STRIPPER, SPECIAL                    | 19  |
| - | 1   | 1   | 1  | 1  | 1-1583859-5 | BLADE, SLUG                          | 10  |
| - | 1   | 1   | 1  | 1  | 1-1633124-9 | PLATE, REAR SHEAR                    | 9   |
| - | 1   | 1   | 1  | 1  | 1-1633507-5 | ANVIL, SPECIAL, COMBINATION          | 8   |
| - | 1   | 1   | 1  | 1  | 238009-2    | BLOCK, FL CRIMPER SPACER             | 4   |
| - | 1   | 1   | 1  | 1  | 3-1633510-6 | CRIMPER, INSUL O                     | 3   |
| - | 1   | 1   | 1  | 1  | 455888-7    | SPACER, CRIMPER                      | 2   |
| - | 1   | 1   | 1  | 1  | 4-456408-0  | CRIMPER, WIRE PREMIUM                | 1   |

| INCHES | TOLERANCES UNLESS OTHERWISE SPECIFIED: | DRAWN     | DATE      | BY | DATE | DESCRIPTION | ITEM NO |
|--------|----------------------------------------|-----------|-----------|----|------|-------------|---------|
| 9 PLC  | ±.001                                  | D. MORRIS | 09JAN2009 |    |      |             |         |
| 3 PLC  | ±.001                                  | D. MORRIS | 09JAN2009 |    |      |             |         |
| 4 PLC  | ±.0001                                 |           |           |    |      |             |         |
| ANGLES | ±.0001                                 |           |           |    |      |             |         |

| INCHES | TOLERANCES UNLESS OTHERWISE SPECIFIED: | DRAWN     | DATE      | BY | DATE | DESCRIPTION | ITEM NO |
|--------|----------------------------------------|-----------|-----------|----|------|-------------|---------|
| 9 PLC  | ±.001                                  | D. MORRIS | 09JAN2009 |    |      |             |         |
| 3 PLC  | ±.001                                  | D. MORRIS | 09JAN2009 |    |      |             |         |
| 4 PLC  | ±.0001                                 |           |           |    |      |             |         |
| ANGLES | ±.0001                                 |           |           |    |      |             |         |

| INCHES | TOLERANCES UNLESS OTHERWISE SPECIFIED: | DRAWN     | DATE      | BY | DATE | DESCRIPTION | ITEM NO |
|--------|----------------------------------------|-----------|-----------|----|------|-------------|---------|
| 9 PLC  | ±.001                                  | D. MORRIS | 09JAN2009 |    |      |             |         |
| 3 PLC  | ±.001                                  | D. MORRIS | 09JAN2009 |    |      |             |         |
| 4 PLC  | ±.0001                                 |           |           |    |      |             |         |
| ANGLES | ±.0001                                 |           |           |    |      |             |         |

| INCHES | TOLERANCES UNLESS OTHERWISE SPECIFIED: | DRAWN     | DATE      | BY | DATE | DESCRIPTION | ITEM NO |
|--------|----------------------------------------|-----------|-----------|----|------|-------------|---------|
| 9 PLC  | ±.001                                  | D. MORRIS | 09JAN2009 |    |      |             |         |
| 3 PLC  | ±.001                                  | D. MORRIS | 09JAN2009 |    |      |             |         |
| 4 PLC  | ±.0001                                 |           |           |    |      |             |         |
| ANGLES | ±.0001                                 |           |           |    |      |             |         |