

PART NUMBER CODING

SFH210-PP_C-D_-ID-BK-M181

COLOR

BK= BLACK

NUMBER OF POSITIONS

(CONTACTS PER ROW)

PLATING

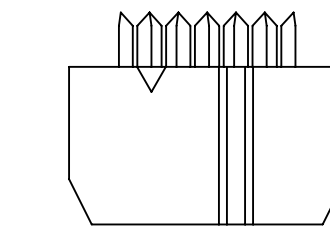
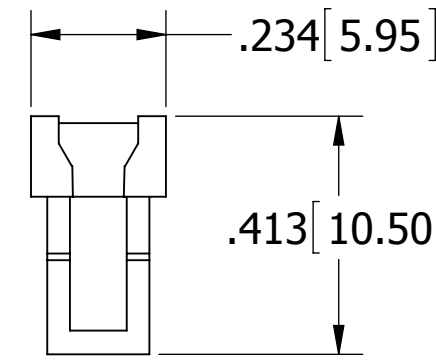
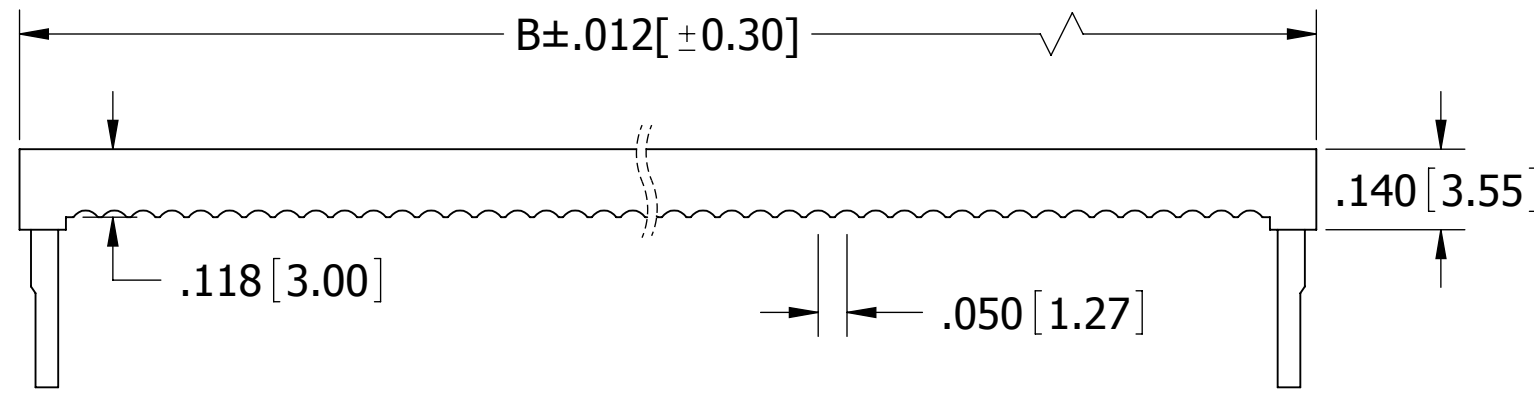
(SEE PLATING TABLE)

PLATING TABLE

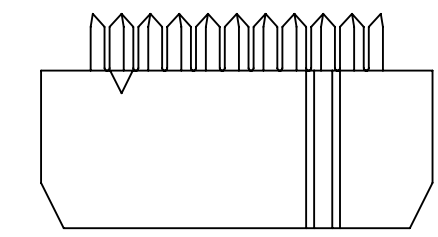
CONTACT SURFACE	TERMINATION
P = GOLD FLASH	GOLD FLASH
V = GOLD FLASH	NICKEL
K = .000015" GOLD	NICKEL
J = .000015" GOLD	GOLD FLASH
E = .000100" PURE TIN, MATTE	.000100" PURE TIN, MATTE

REVISIONS

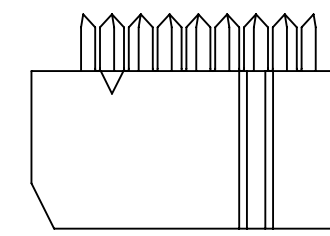
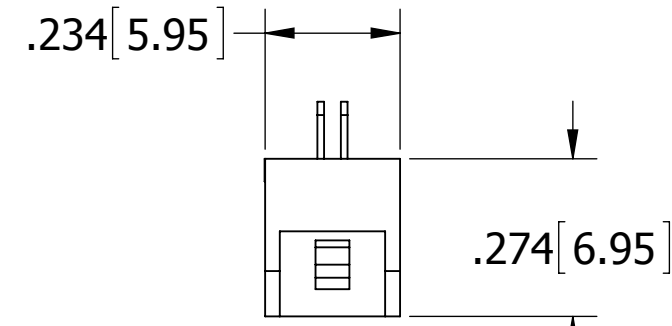
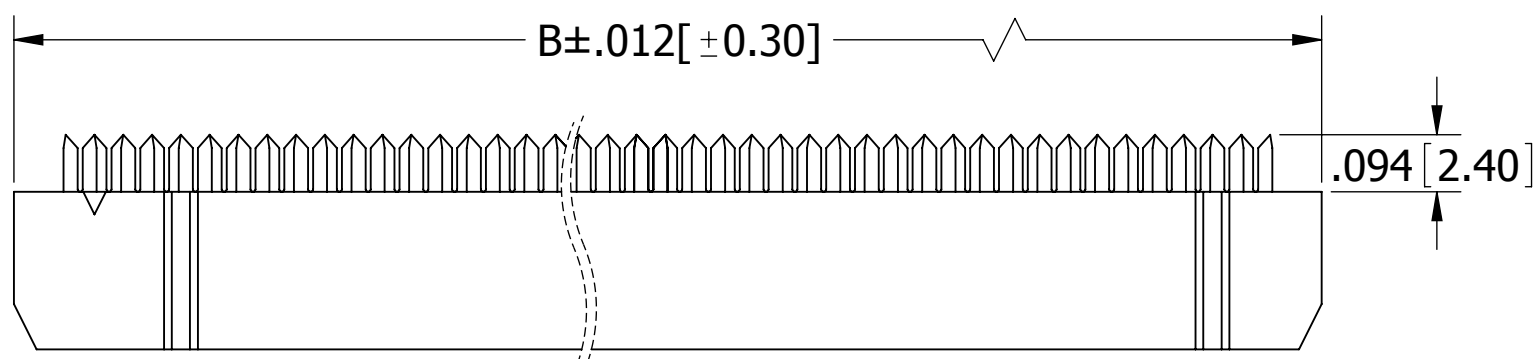
REV.	ECO. NO	DESCRIPTION	DATE	BY
B	2159	UPDATE NOTE 10 FLAT RIBBON CABLE SPEC.	07/05/2010	LH
C	2818	UPDATE POSITION 04 FRONT VIEW	02/18/2014	LH
D	3374	UPDATE POSITION 03 VIEW AND REMOVE 30 AND 32 POSITION OF DIMENSION .047[1.20] ON PAGE 2	02/01/2016	LH



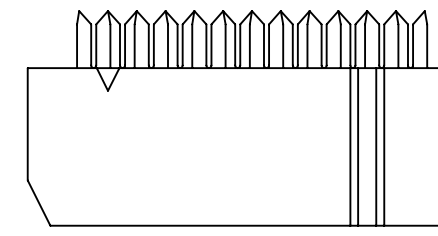
(POSITION 03)



(POSITION 05)

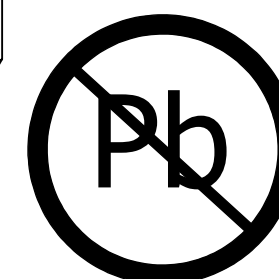
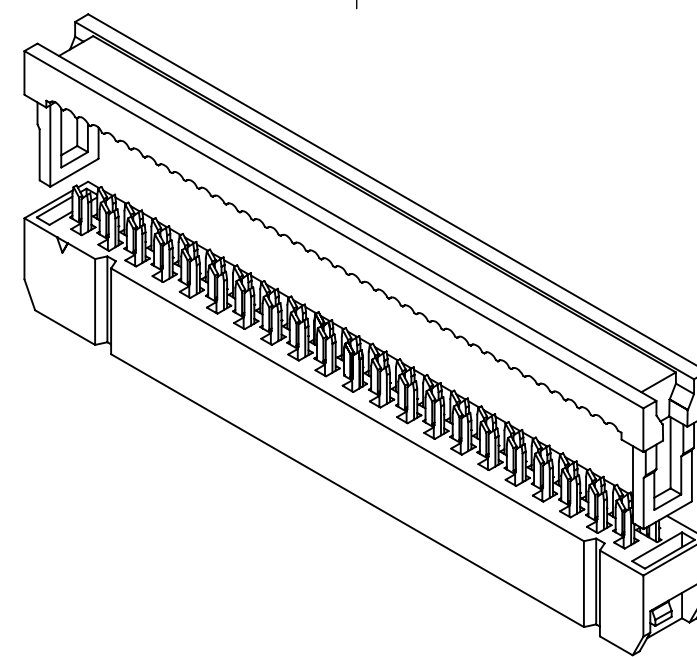
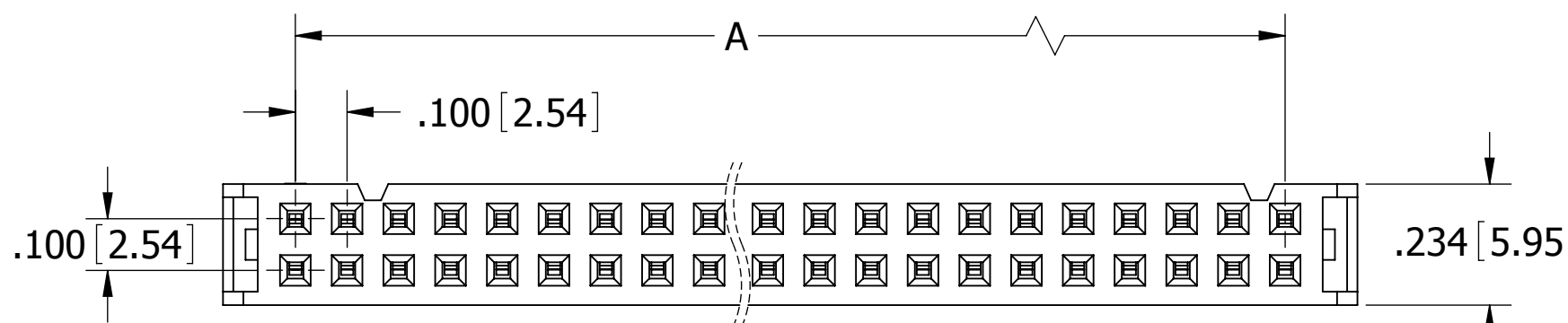


(POSITION 04)



(POSITION 06)

(POSITION 07 THRU 25)



RoHS COMPLIANT

NOTES:

1. INSULATOR MATERIAL: PBT 30% GLASS FIBER.
2. CONTACT MATERIAL: PHOSPHOR BRONZE.
3. OPERATING TEMPERATURE: -40°C TO +105°C.
4. UL FLAMMABILITY RATING: 94V-0.
5. CURRENT RATING: 1 AMP PER CONTACT.
6. INSULATION RESISTANCE: 3,000 MEGOMHS MIN.
7. CONTACT RESISTANCE: 30m OHMS MAX.
8. DIELECTRIC WITHSTANDING: 500 V AC.
9. MATES WITH SBH11 SERIES
10. FOR .050"[1.27mm] PITCH FLAT RIBBON CABLE, 26 - 28 AWG WIRE RANGE.
11. M181 DENOTES PART W/O POLARIZING KEY.

PART NUMBER	POSITIONS/ CONTACTS	A		B	
		INCH	MM	INCH	MM
SFH210-PP_C-D03-ID-BK-M181	03/06	0.200	5.08	0.480	12.18
SFH210-PP_C-D04-ID-BK-M181	04/08	0.300	7.62	0.580	14.72
SFH210-PP_C-D05-ID-BK-M181	05/10	0.400	10.16	0.680	17.26
SFH210-PP_C-D06-ID-BK-M181	06/12	0.500	12.70	0.780	19.80
SFH210-PP_C-D07-ID-BK-M181	07/14	0.600	15.24	0.880	22.34
SFH210-PP_C-D08-ID-BK-M181	08/16	0.700	17.78	0.980	24.88
SFH210-PP_C-D09-ID-BK-M181	09/18	0.800	20.32	1.080	27.42
SFH210-PP_C-D10-ID-BK-M181	10/20	0.900	22.86	1.180	29.96
SFH210-PP_C-D12-ID-BK-M181	12/24	1.100	27.94	1.380	35.04
SFH210-PP_C-D13-ID-BK-M181	13/26	1.200	30.48	1.480	37.58
SFH210-PP_C-D15-ID-BK-M181	15/30	1.400	35.56	1.680	42.66
SFH210-PP_C-D17-ID-BK-M181	17/34	1.600	40.64	1.880	47.74
SFH210-PP_C-D20-ID-BK-M181	20/40	1.900	48.26	2.180	55.36
SFH210-PP_C-D25-ID-BK-M181	25/50	2.400	60.96	2.680	68.06
POSITION 30 & 32:	30/60	SEE SHEET 2 FOR DIMENSIONS			
SEE SHEET 2 FOR P/N	32/64	SEE SHEET 2 FOR DIMENSIONS			

UNLESS OTHERWISE SPECIFIED:
DIMENSIONS ARE IN INCHES [MM]

TOLERANCES:

ANGULAR:

DECIMALS
.XX = ± .012 [.3]
.XXX = ± .008 [.20]
.XXXX = ± .0040 [.100]

DRAWN DATE NAME
3/17/2009 JH

THE INFORMATION HEREIN CONTAINS PROPRIETARY INFORMATION OF SULLINS ELECTRONICS AND IS NOT TO BE REPRODUCED, USED OR DISCLOSED TO OTHERS FOR ANY PURPOSE EXCEPT AS SPECIFICALLY AUTHORIZED IN WRITING BY AN OFFICER OF SULLINS ELECTRONICS.

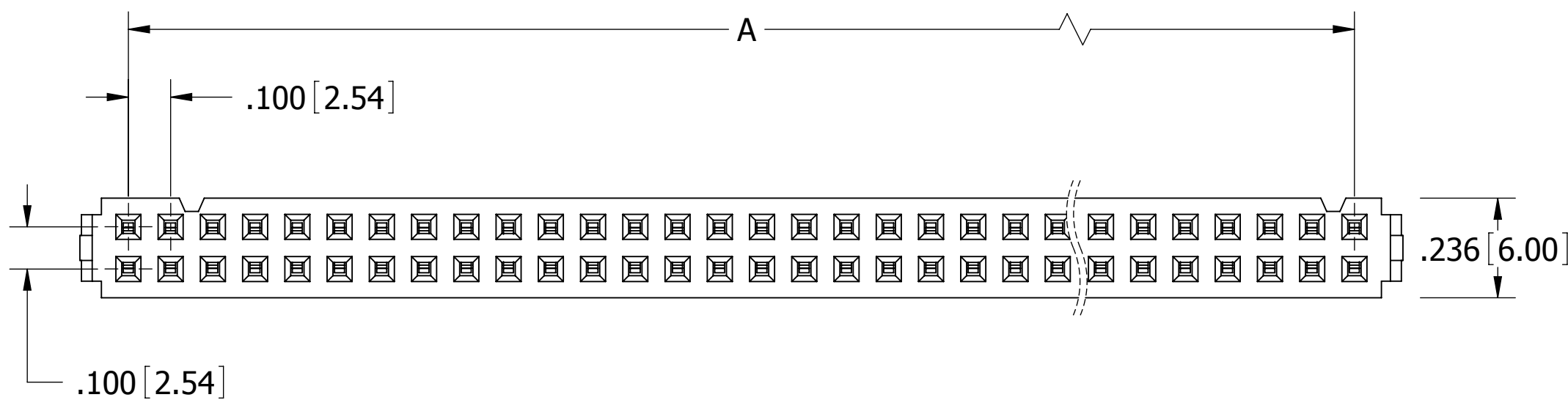
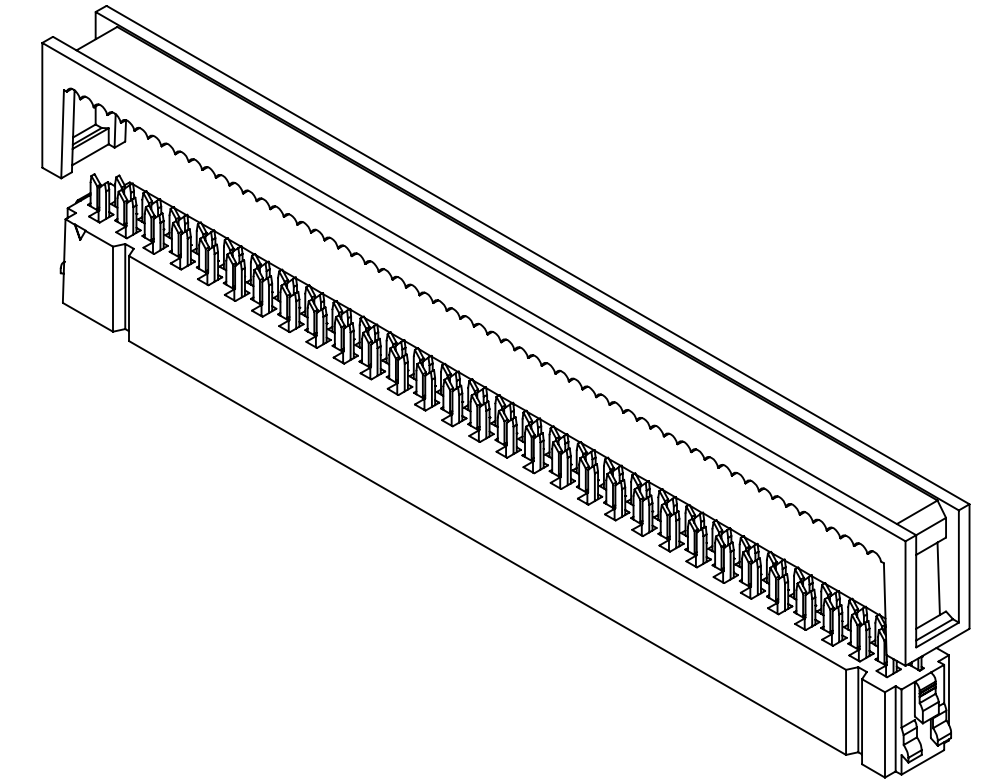
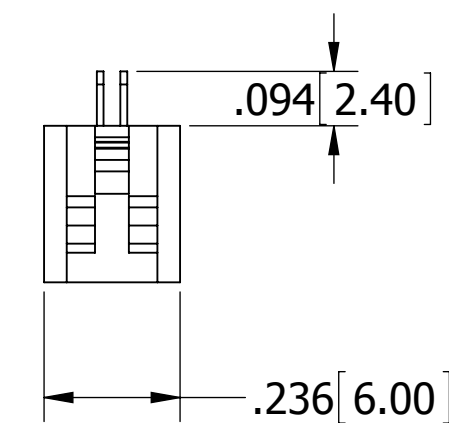
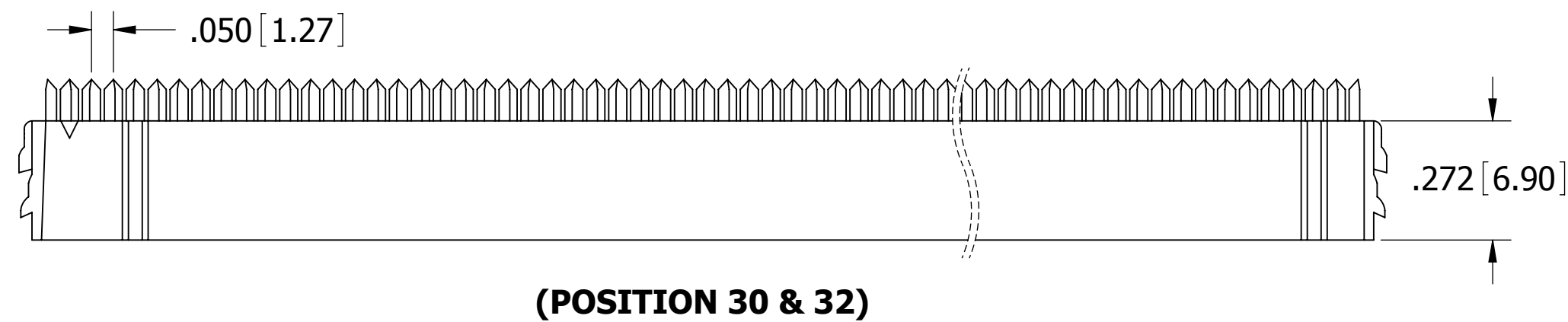
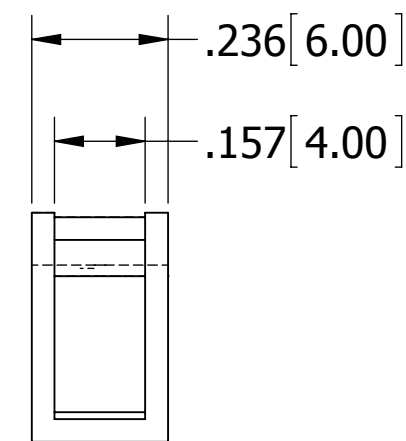
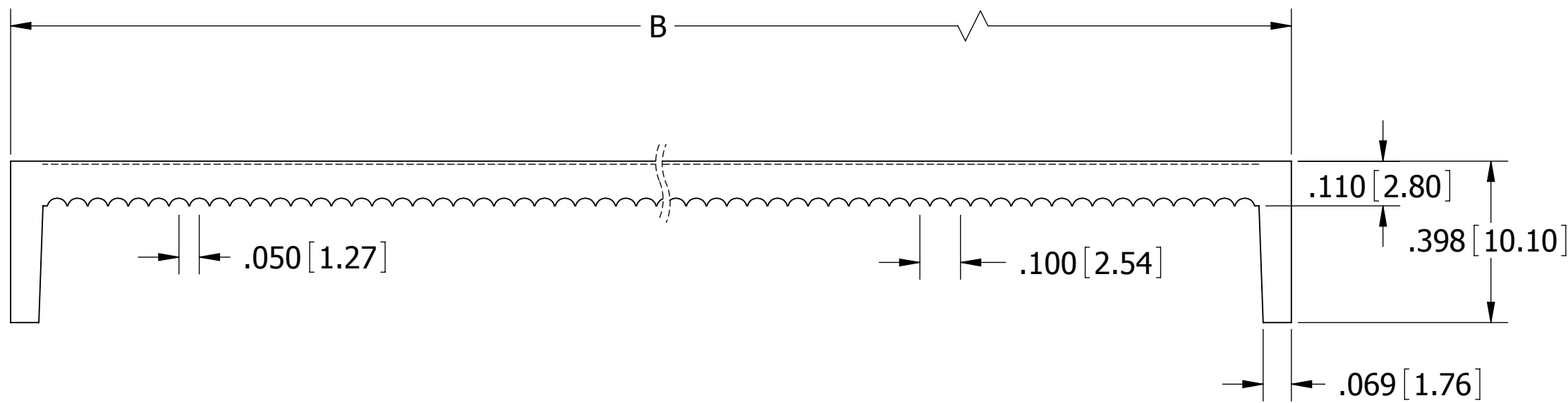
SULLINS
CONNECTOR SOLUTIONS

TITLE
IDC SOCKET, .100" CC/RS, w/o KEY

PART NUMBER
SFH210-PP_C-D_-ID-BK-M181

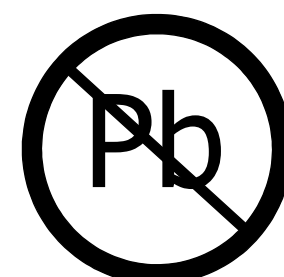
SIZE CAGE CODE DWG. NO. REV
C 54453 11226 D

SCALE: 2:1 SHEET 1 OF 2



- NOTES:**
1. INSULATOR MATERIAL: PBT 30% GLASS FIBER.
 2. CONTACT MATERIAL: PHOSPHOR BRONZE.
 3. OPERATING TEMPERATURE: -40°C TO +105°C.
 4. UL FLAMMABILITY RATING: 94V-0.
 5. CURRENT RATING: 1 AMP PER CONTACT.
 6. INSULATION RESISTANCE: 3,000 MEGOMHS MIN.
 7. CONTACT RESISTANCE: 30m OHMS MAX.
 8. DIELECTRIC WITHSTANDING: 500 V AC.
 9. MATES WITH SBH11 SERIES
 10. FOR .050"[1.27mm] PITCH FLAT RIBBON CABLE, 26 - 28 AWG WIRE RANGE.
 11. M181 DENOTES PART W/O POLARIZING KEY.

PART NUMBER	POSITIONS/ CONTACTS	A		B	
		INCH	MM	INCH	MM
POSITION 03 THRU 25: SEE SHEET 1 FOR PART NUMBERS	03/06	SEE SHEET 1 FOR DIMENSIONS			
	04/08				
	05/10				
	06/12				
	07/14				
	08/16				
	09/18				
	10/20				
	12/24				
	13/26				
	15/30				
17/34					
20/40					
25/50					
SFH210-PP_C-D30-ID-BK-M181	30/60	2.900	73.66	3.179	80.74
SFH210-PP_C-D32-ID-BK-M181	32/64	3.100	78.74	3.379	85.82



RoHS COMPLIANT

UNLESS OTHERWISE SPECIFIED: DIMENSIONS ARE IN INCHES [MM]		DRAWN 3/17/2009	DATE JH	NAME	
TOLERANCES: ANGULAR: DECIMALS XX = ± .012 [.3] .XXX = ± .008 [.20] .XXXX = ± .0040 [.100]		<small>THE INFORMATION HEREIN CONTAINS PROPRIETARY INFORMATION OF SULLINS ELECTRONICS AND IS NOT TO BE REPRODUCED, USED OR DISCLOSED TO OTHERS FOR ANY PURPOSE EXCEPT AS SPECIFICALLY AUTHORIZED IN WRITING BY AN OFFICER OF SULLINS ELECTRONICS.</small>		TITLE IDC SOCKET, .100" CC/RS, w/o KEY PART NUMBER SFH210-PP_C-D__-ID-BK-M181	
SIZE C	CAGE CODE 54453	DWG. NO. 11226	REV D	SCALE: 2:1 SHEET 2 OF 2	