

Customer Information Sheet

DRAWING No.: Z80-290

SHEET 2 OF 2

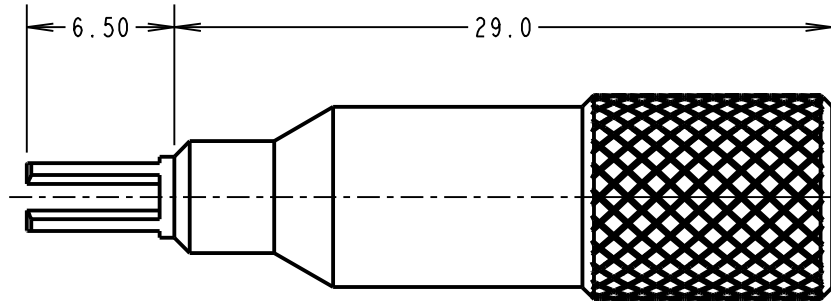
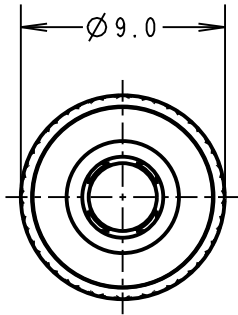
IF IN DOUBT - ASK

©

NOT TO SCALE

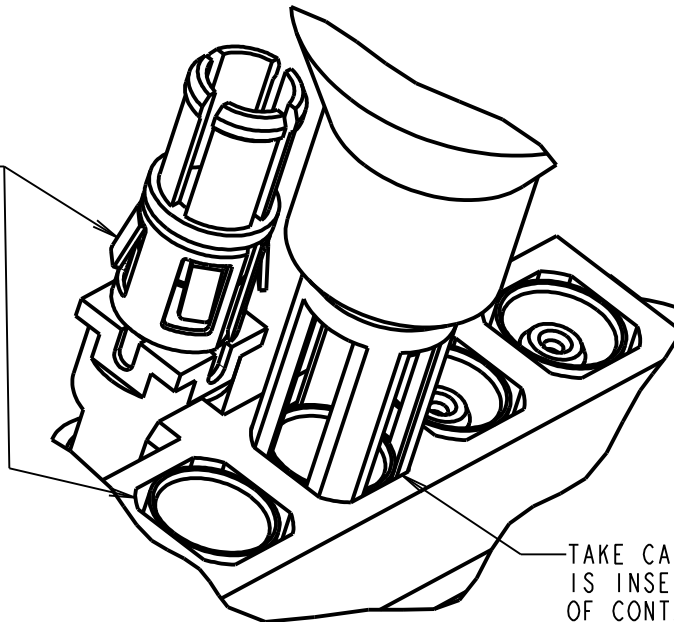
THIRD ANGLE PROJECTION

ALL DIMENSIONS IN mm

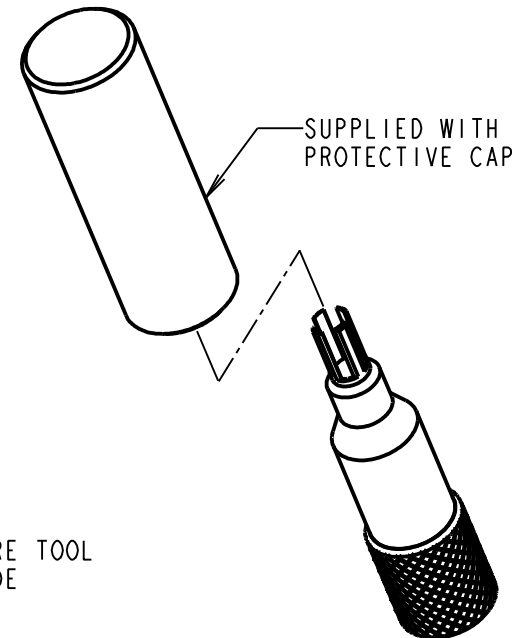


FOR REMOVAL OF CONTACT PART No.:	
M80-305, M80-306, M80-307	
M80-308, M80-309	
M80-315, M80-316, M80-317	
M80-318, M80-319	
M80-325, M80-326, M80-327, M80-328, M80-329	
M80-32A, M80-32B, M80-32C	
M80-335, M80-336, M80-337, M80-338, M80-339	

LINE UP TOOL WITH RETENTION FEATURE AND INSERT TO RELEASE CONTACT FROM MOULDING



TAKE CARE TO ENSURE TOOL IS INSERTED OUTSIDE OF CONTACT



SUPPLIED WITH PROTECTIVE CAP

SB	4	03.09.14	12561
NAME	ISS.	DATE	C/NOTE
APPROVED:		S.BENNETT	
CHECKED:		M.PLESTED	
DRAWN:		J.BROOKES	
CUSTOMER REF.:			
ASSEMBLY DRG:			

HARWIN

www.harwin.com
technical@harwin.com

THIS DRAWING AND ANY INFORMATION OR DESCRIPTIVE MATTER SET OUT HEREON ARE CONFIDENTIAL AND COPYRIGHT PROPERTY OF THE HARWIN GROUP AND MUST NOT BE DISCLOSED, LOANED, COPIED OR USED FOR MANUFACTURING, TENDERING OR FOR ANY OTHER PURPOSE WITHOUT THEIR WRITTEN PERMISSION.

TOLERANCES
X. = ±1mm
X.X = ±0.25mm
X.XX = ±0.10mm
X.XXX = ±0.01mm
ANGLES = ±5°
UNLESS STATED

MATERIAL:
TOOL = STAINLESS STEEL
CAP = BLACK NYLON
FINISH:
S/AREA: mm²

TITLE:
MIX TEK SPECIAL CONTACT
REMOVAL TOOL

DRAWING NUMBER:
Z80-290

SHT
2
OF
2