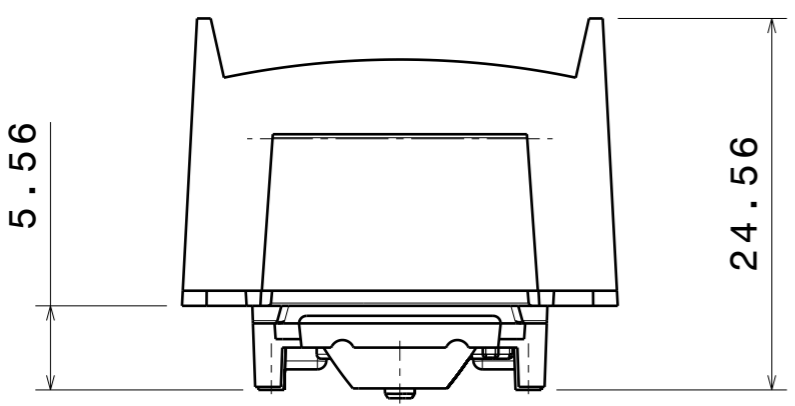
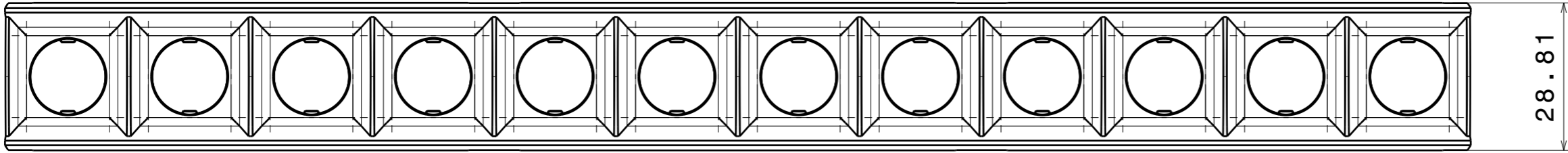
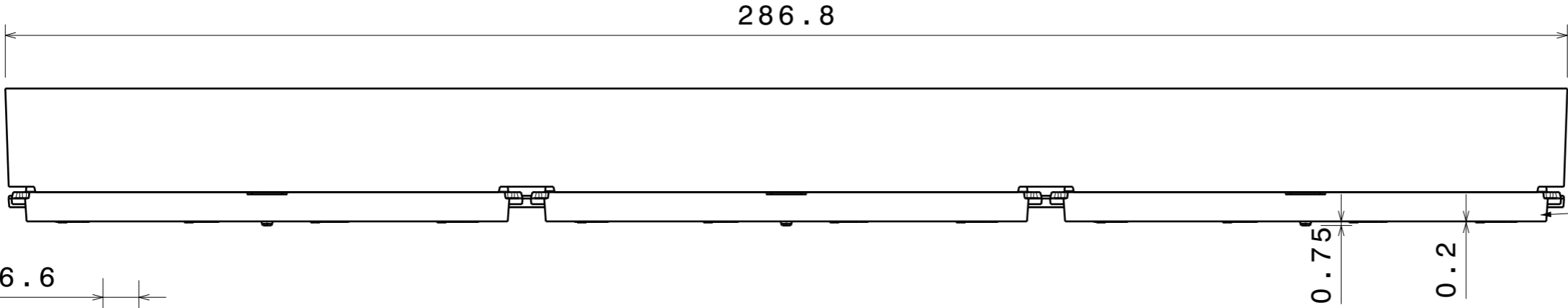
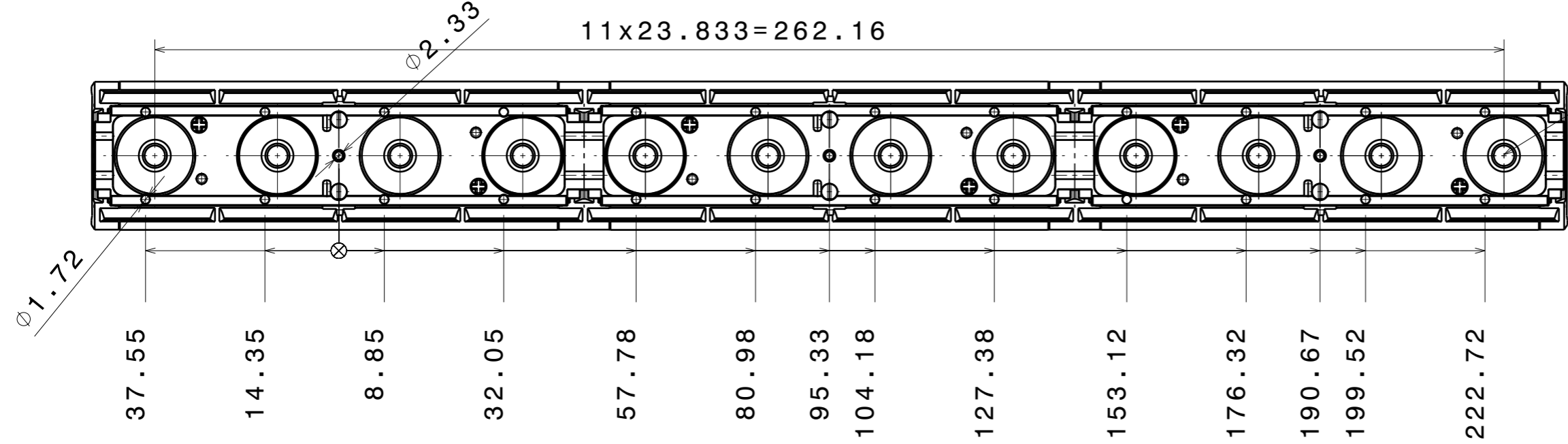


11x23.833=262.16

Led middle position

Isometric view (1:2)



Scale 2:1

INDEX	PART NO	DESCRIPTION	MATERIAL	COLOUR
1	C14446	FLORENTINA-SHD	PC Makrolon 2407	black
2	C14445	FLORENTINA-HLD	PC Makrolon 2407	black
3	C11417	TINA2-XP-D (12pcs)	PMMA	clear

Tolerances if not otherwise shown
According to DIN ISO 2768-1
Linear measures:
up to 30mm class M, otherwise class C
According to DIN ISO 2768-2
Form and position: class L

LEDiL Ledil Oy
Salorankatu 10
FIN 24240 SALO
Finland

THIRD ANGLE PROJECTION:

DRAWING TITLE
CC15002_FLORENTINA-D

This drawing is the property of LEDiL Oy. It may not be reproduced, copied or communicated without a written agreement with LEDiL Oy.

SIZE **A3** PART NUMBER **CC15002**

SCALE 1:1 WEIGHT 69,3 g SHEET 1/1